



FreeSpace FS2SE

Surface-mount Loudspeaker

Installation Guide	2
Guía de instalación	9
Notice d'installation	16
Installationsanleitung	23
Guida all'installazione	30
Installatiehandleiding	37


Monteringsveiledning	44
Instrukcja montażu	51
安装指南	58
安装指南	65
設置ガイド	72
79	دليل التركيب

Please read and keep all safety and use instructions.


This product is intended for installation by professional installers only! This document is intended to provide professional installers with basic installation and safety guidelines for this product in typical fixed-installation systems. Please read this document and all safety warnings before attempting installation.

Do not attempt to service this product yourself. Refer all servicing to authorized service centers, installers, technicians, dealers or distributors. To contact Bose Professional or to find a dealer or distributor near you, visit BoseProfessional.com.


1. Read these instructions.
2. Keep these instructions.
3. Heed all warnings.
4. Follow all instructions.
5. Do not block any ventilation openings. Install in accordance with the manufacturer's instructions.
6. Do not install near any heat sources such as radiators, heat registers, stoves, or other apparatus (including amplifiers) that produces heat.
7. Only use attachments/accessories specified by the manufacturer.



WARNINGS/CAUTIONS



This product contains magnetic material. Consult your physician on whether this might affect your implantable medical device.



Contains small parts which may be a choking hazard. Not suitable for children under age 3.


- It is the responsibility of the installer to use a support system which has sufficient wind load strength to comply with the applicable codes and standards.
- All Bose Professional products must be installed in accordance with local, state, federal and industry regulations. It is the installer's responsibility to ensure installation of the loudspeakers and mounting system is performed in accordance with all applicable codes, including local building codes and regulations. Consult the local authority having jurisdiction before installing this product.
- Unsafe mounting or overhead suspension of any heavy load can result in serious injury or death, and property damage. It is the installer's responsibility to evaluate the reliability of any mounting method used for their application. Only professional installers with the knowledge of proper hardware and safe mounting techniques should attempt to install any loudspeaker overhead.
- Do not mount on surfaces that are not sturdy, or that have hazards concealed behind them, such as electrical wiring or plumbing. Ensure the bracket is installed by a qualified professional installer and in accordance with local building codes.
- Use only the hardware and accessories included or specified by Bose Professional for use with FreeSpace FS2SE loudspeakers. Hardware for securing the loudspeaker to the mounting surface is not supplied. For information on compatible accessories, see the product's technical data sheet at BoseProfessional.com.
- Keep the product away from fire and heat sources. Do not place naked flame sources, such as lighted candles, on or near the product.
- Do not make unauthorized alterations to this product.
- The FreeSpace FS2SE wall-mounting bracket is only for use with model FS2SE.
- Do not expose loudspeaker or mounting components to any chemical substances that are not specified by Bose Professional, including but not limited to lubricants, cleaning agents, contact sprays, or hydrocarbon-based solvents. Exposure to such substances can lead to degradation of the plastic material, resulting in cracking and creating a falling hazard.
- Clean speakers using only a dry cloth. Do not expose loudspeaker to soap, detergent, mineral oil, alcohol or other cleaning agents or chemicals.

Product Ratings:


Input Voltage: 70V/100V
 Impedance: 16 Ω, 16 W
 Current or Power: (70V): 1W, 2W, 4W, 8W, 16W; (100V): 2W, 4W, 8W, 16W

Regulatory Information

Do not paint or modify factory-applied finishes.

 This product conforms to all applicable EU directive requirements. The complete declaration of conformity can be found at: www.Bose.com/compliance.

 This product conforms to all applicable Electromagnetic Compatibility Regulations 2016 and all other applicable UK regulations. The complete declaration of conformity can be found at: www.Bose.com/compliance

 This symbol means the product must not be discarded as household waste, and should be delivered to an appropriate collection facility for recycling. Proper disposal and recycling helps protect natural resources, human health and the environment. For more information on disposal and recycling of this product, contact your local municipality, disposal service, or the shop where you bought this product.

China Restriction of Hazardous Substances Table

Names and Contents of Toxic or Hazardous Substances or Elements						
Part Name	Toxic or Hazardous Substances and Elements					
	Lead (Pb)	Mercury (Hg)	Cadmium (Cd)	Hexavalent (CR(VI))	Polybrominated Biphenyl (PBB)	Polybrominated diphenyl ethers (PBDE)
PCBs	X	0	0	0	0	0
Metal Parts	X	0	0	0	0	0
Plastic Parts	0	0	0	0	0	0
Speakers	X	0	0	0	0	0
Cables	X	0	0	0	0	0

This table is prepared in accordance with the provisions of SJ/T 11364.
 0: Indicates that this toxic or hazardous substance contained in all of the homogeneous materials for this part is below the limit requirement of GB/T 26572.
 X: Indicates that this toxic or hazardous substance contained in at least one of the homogeneous materials used for this part is above the limit requirement of GB/T 26572.

Taiwan Restriction of Hazardous Substances Table

Equipment name: FreeSpace FS2SE, Type designation: 841151						
Unit	Restricted substances and its chemical symbols					
	Lead (Pb)	Mercury (Hg)	Cadmium (Cd)	Hexavalent chromium (Cr+6)	Polybrominated biphenyls (PBB)	Polybrominated diphenyl ethers (PBDE)
PCBs	-	o	o	o	o	o
Metal Parts	-	o	o	o	o	o
Plastic Parts	o	o	o	o	o	o
Speakers	-	o	o	o	o	o
Cables	-	o	o	o	o	o

Note 1: "o" indicates that the percentage content of the restricted substance does not exceed the percentage of reference value of presence.
Note 2: The "-" indicates that the restricted substance corresponds to the exemption.

Date of Manufacture: The eighth digit in the serial number indicates the year of manufacture; "7" is 2007 or 2017.

China Importer: Bose Electronics (Shanghai) Company Limited, Part C, Plant 9, No. 353 North Riyang Road, China (Shanghai) Pilot Free Trade Zone

EU Importer: Bose Products B.V., Gorslaan 60, 1441 RG Purmerend, The Netherlands

Mexico Importer: Bose de México, S. de R.L. de C.V., Paseo de las Palmas 405-204, Lomas de Chapultepec, 11000 México, D.F. For importer & service information: +5255 (5202) 3545

Taiwan Importer: Bose Taiwan Branch, 9F-A1, No. 10, Section 3, Minsheng East Road, Taipei City 104, Taiwan. Phone Number: +886-2-2514 7676

UK Importer: Bose Limited, Bose House, Quayside Chatham Maritime, Chatham, Kent, ME4 4QZ, United Kingdom

Bose is a trademark of Bose Corporation.

FreeSpace is a trademark of Transom Post OpCo LLC.

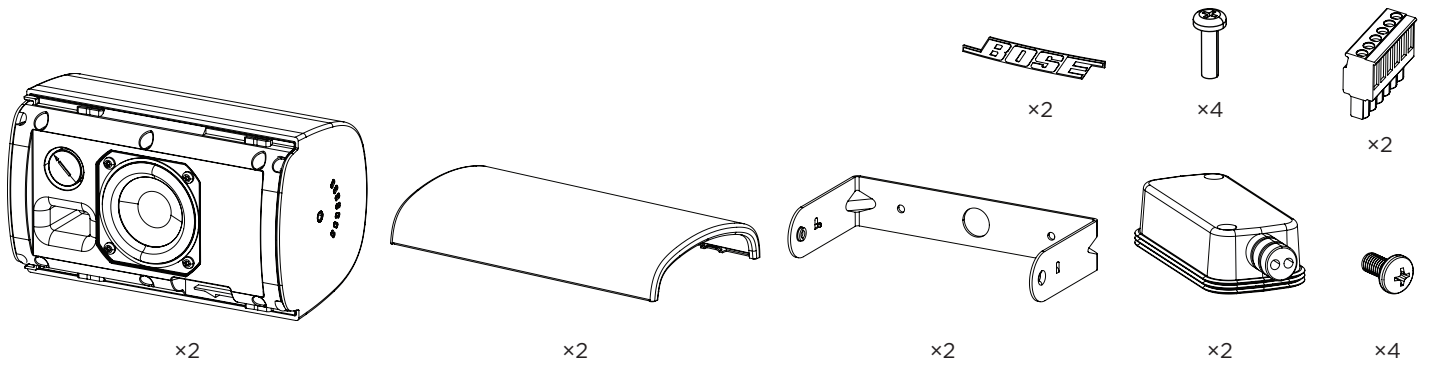
Bose Corporation, Framingham, MA 01701, U.S.A. 1-877-230-5639

©2023 Transom Post OpCo LLC. No part of this work may be reproduced, modified, distributed or otherwise used without prior written permission.

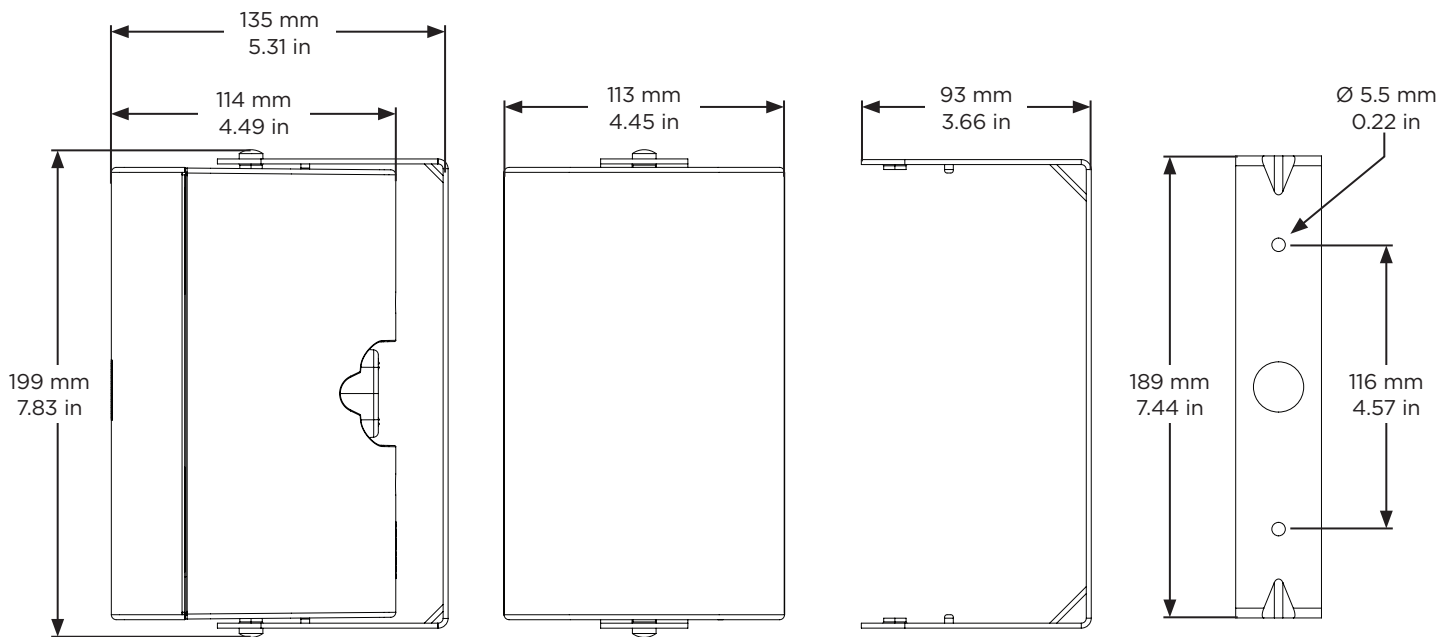
Warranty Information

This product is covered by a limited warranty. For warranty details, visit BoseProfessional.com/Warranty.

Package Contents



Product Dimensions



Technical Specifications

For additional specifications, see the FreeSpace FS2SE technical data sheet at BoseProfessional.com. For EN 54-24 specifications (including required external EQ), see the FreeSpace FS2SE EN 54-24 certified ratings (AM857612 Rev. 01) at BoseProfessional.com.

Physical	
Product Dimensions	Height: 199 mm (7.83 in)
	Width: 113 mm (4.45 in)
	Depth: 135 mm (5.31 in)
Net Weight, Loudspeaker with grille and bracket (single)	1.63 kg (3.60 lb)
Shipping Weight (pair)	4.17 kg (9.20 lb)
Environmental	Suitable for use outdoors in wet locations with included weather-resistant input cover (IP55 per EN60529; IP33C per EN 54-24). Optional accessory aluminum grille for harsh environments to prevent red corrosion is available.

Important Installation Information

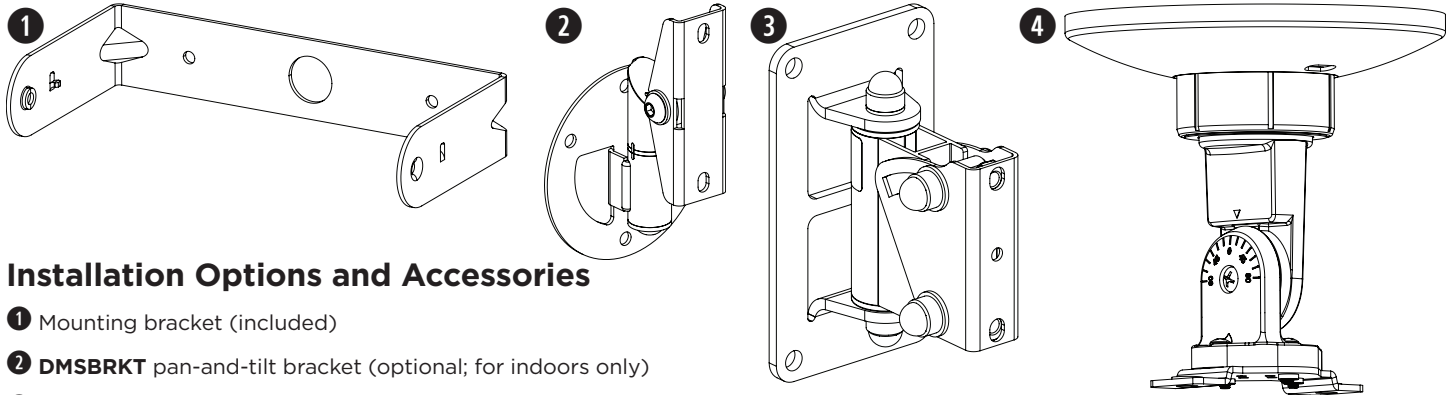


Before installing the loudspeaker, review **Important Safety Instructions** on page 2.



For **fire and evacuation notification applications**, environmental rated to IP33C per EN 54-24.
For **general purpose audio installation applications**, environmental rated to IP55 per EN60529.

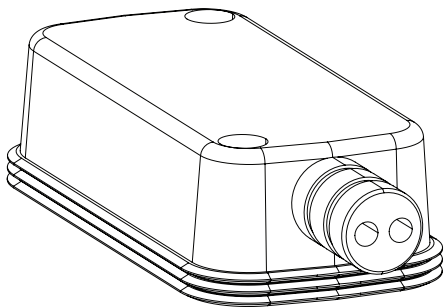
Installation Options



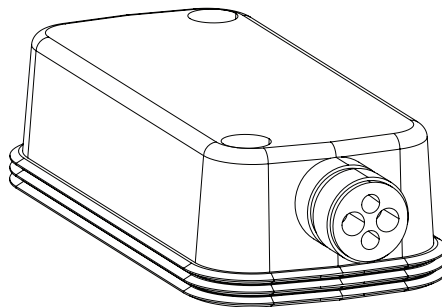
Installation Options and Accessories

- ❶ Mounting bracket (included)
- ❷ DMSBRKT pan-and-tilt bracket (optional; for indoors only)
- ❸ WBPWR-50 pan-and-tilt bracket (optional; for outdoors)
- ❹ CMBS2 ceiling-mount bracket (optional; for indoors only)

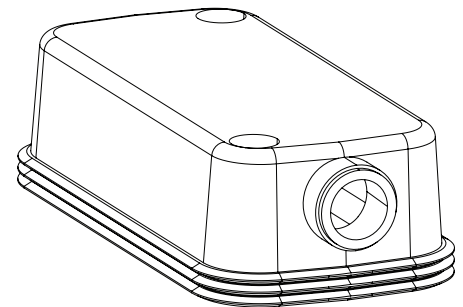
Single In



In and Out



Wide Open



Preparing the Input Cover

The input cover is designed for three different wiring scenarios (see above). To change the configuration of the input cover to support your wiring scenario, cut along the perforation on the rubber conduit. Use one ½-inch to ½-inch threaded coupling and two ⅜-inch trade size conduit fittings for ½-inch knockouts (see diagram below).

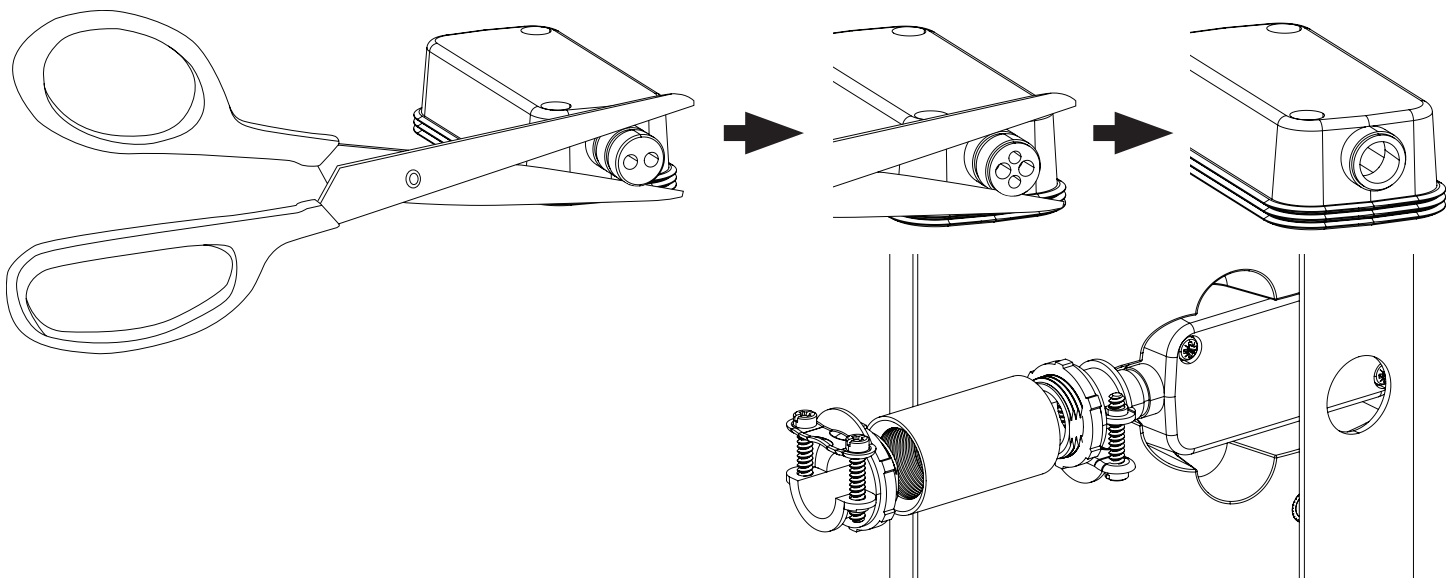


CAUTION: Do not use the wide open wiring scenario when installing the input cover with a flexible conduit.

CAUTION: To prevent water ingress, do not install the input cover facing upward.

Note: It is the installer's responsibility to seal against water ingress into the Euroblock connector. Use outdoor or marine-grade silicone to seal all wiring connections to ensure a tight seal.

Note: Flexible conduits and couplings must be UL Listed, suitable for the application, and installed in accordance with the local authorities having jurisdiction.



Wiring the Loudspeaker

Wire Gauge

The FreeSpace FS2SE loudspeaker is designed to work with 18 AWG (0.8 mm²) to 14 AWG (2.1 mm²) size wire only.

Connection Diagrams

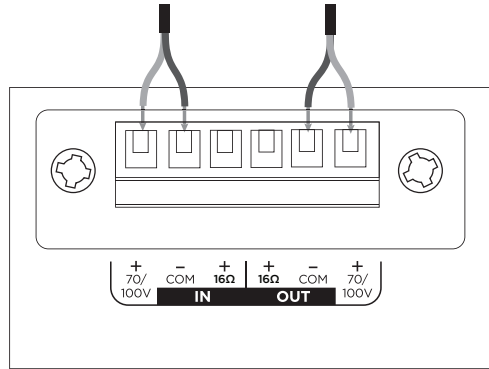
Expose six millimeters (¼ inch) of bare wire to attach to the terminals.

Note: The loudspeaker is not rated for use with a rigid conduit. The loudspeaker is suitable for a flexible conduit or wiring connection only.

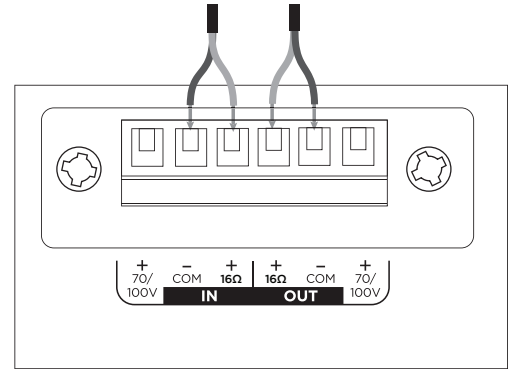
Note: Wiring method must be in accordance with:

In Canada, CSA C22.1, Canadian Electrical Code, Part I, Safety Standard for Electrical Installations, Section 32;

In the United States, The National Electrical Code, NFPA 70, and the National Fire Alarm and Signaling Code, NFPA 72.

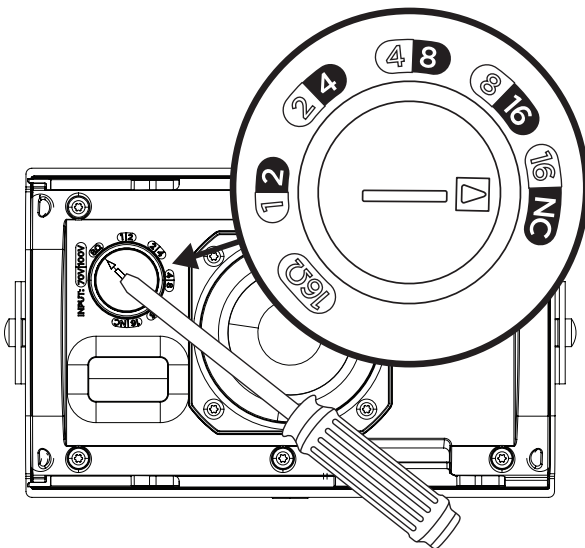


70/100V



16Ω

Loudspeaker Settings



70V					
1W	2W	4W	8W	16W*	16Ω
2W	4W	8W	16W	NC**	
100V					

* Factory default

** NC: No Connection (do not use)

Transformer Tap Setting

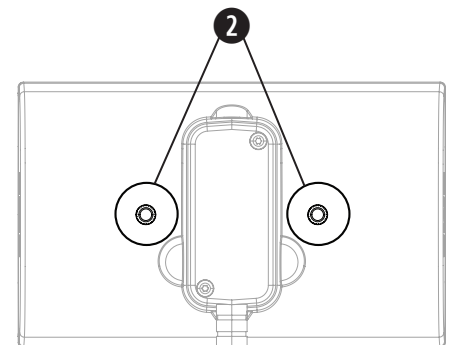
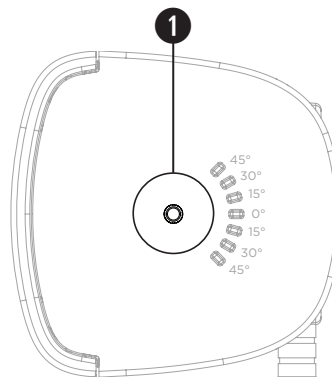
Set tap by turning. Use a flat head screwdriver.

Using a Safety Cable

Some regional construction codes require the use of a secondary method of securing loudspeakers to support structures to provide additional safety. Choose a mounting position, method, and hardware consistent with local building codes and regulations.

A safety cable can be attached to the loudspeaker using one of the threaded inserts on either the rear or the sides of the enclosure. If installing the loudspeaker using the included mounting bracket, use one of the rear threaded inserts (2). If installing the loudspeaker with one of the optional accessory brackets (see page 4), use one of the side threaded inserts (1). See the diagram to the right for safety attachment points.

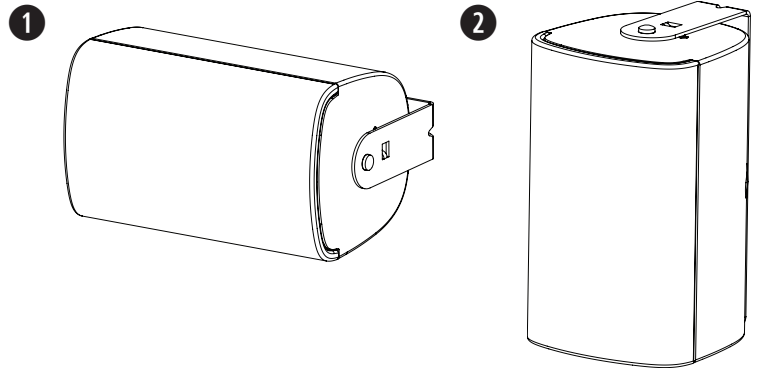
The side inserts (1) are sized for M5 screws (not included) with a depth of 11 millimeters (0.43 inches). The rear inserts (2) are sized for M6 screws with a depth of 12 millimeters (0.47 inches).



Loudspeaker Orientation

Choose the loudspeaker orientation best suited for your installation.

- ① Horizontal
- ② Vertical

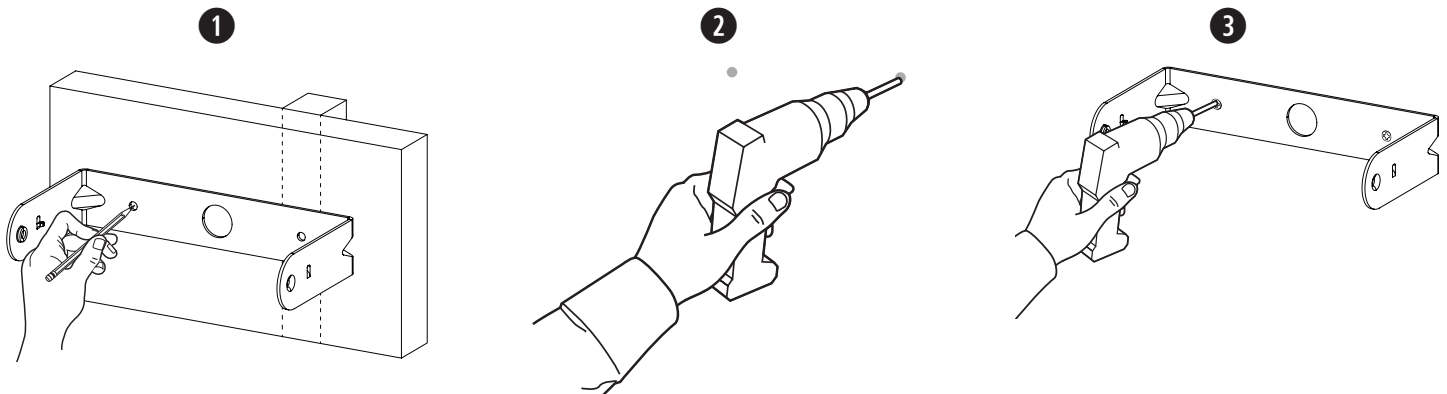


Installing the Bracket

Note: When choosing an installation location, at least one of the mounting bracket's attachment points must be secured to a support structure. Attachment points not secured to a support structure must be secured using appropriate hardware for the installation. Choose fasteners that are consistent with all local building codes and requirements.

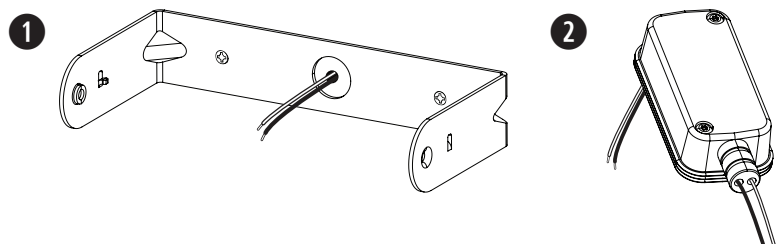
Note: Choose appropriate fasteners to support the weight of the loudspeaker (1.63 kg [3.60 lb]).

1. Mark the drill holes.
2. Drill two holes (sized for appropriate fasteners) into the wall.
3. Secure the bracket to the wall with two screws (not included). **Note:** Use M5 or #10-24 sized screws.



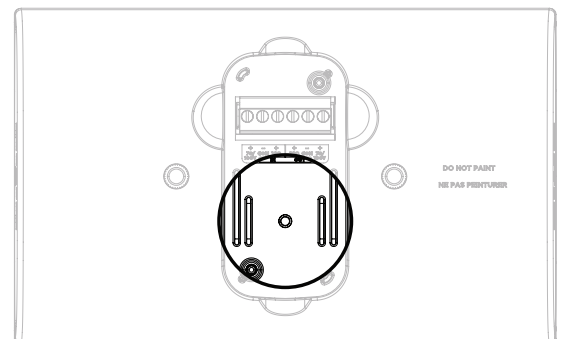
Wiring the Connector

1. Feed the wires through the center hole of the bracket.
2. Insert the wires through the bottom of the input cover. See **Preparing the Input Cover** on page 4.
3. Wire the connector. For wiring information, see **Wiring the Loudspeaker** on page 5.



Ceramic Terminal Attachment Point

The FreeSpace FS2SE is compatible with an optional ceramic terminal accessory. See the diagram for the location of the ceramic terminal attachment point. For more information on the ceramic terminal, see the ceramic terminal installation guide at BoseProfessional.com.

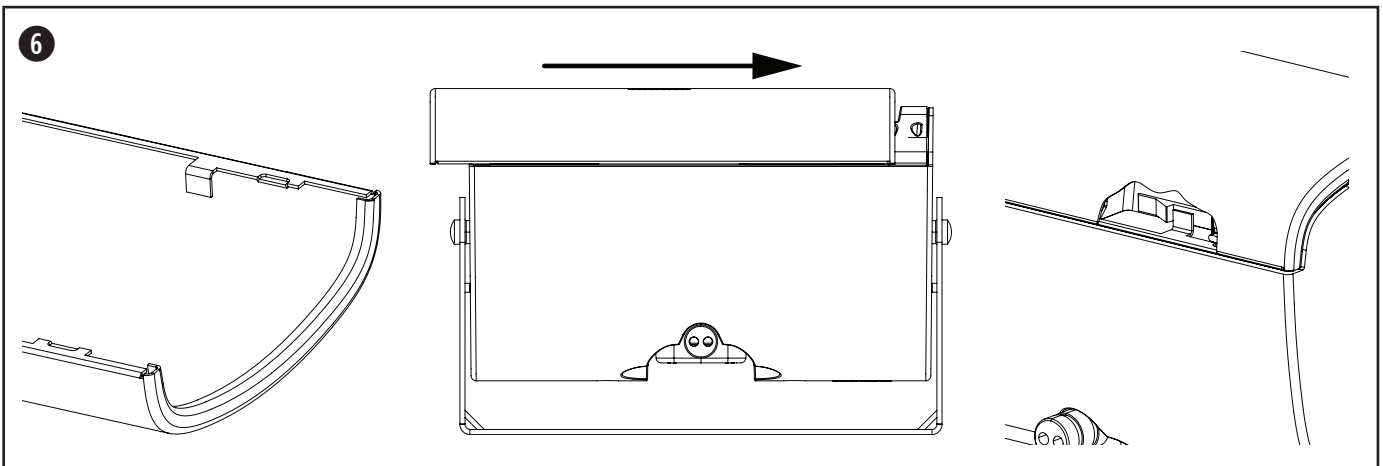
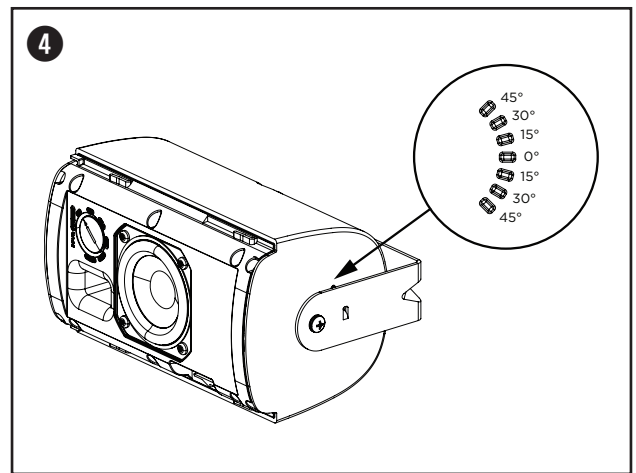
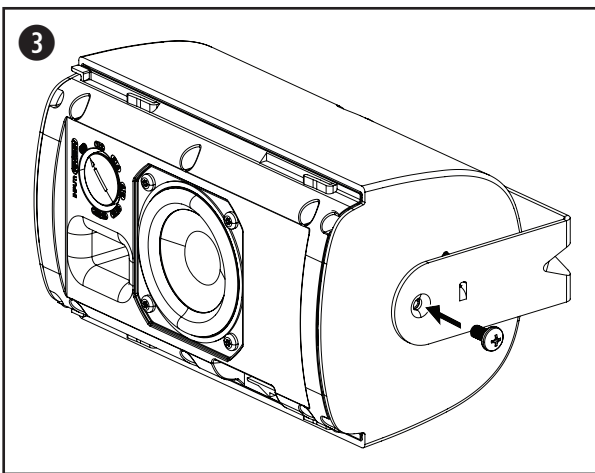
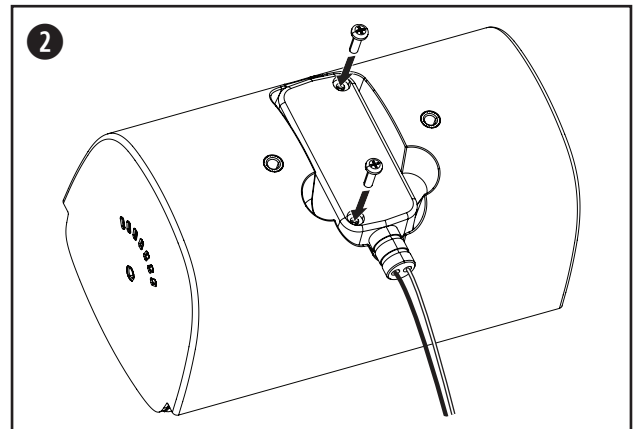
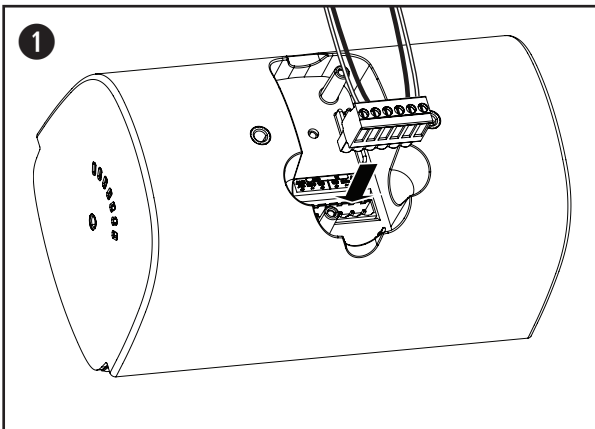


Installing the Loudspeaker



WARNING: Failure to follow the steps below could lead to an unsafe mounting condition, which could create a falling hazard.

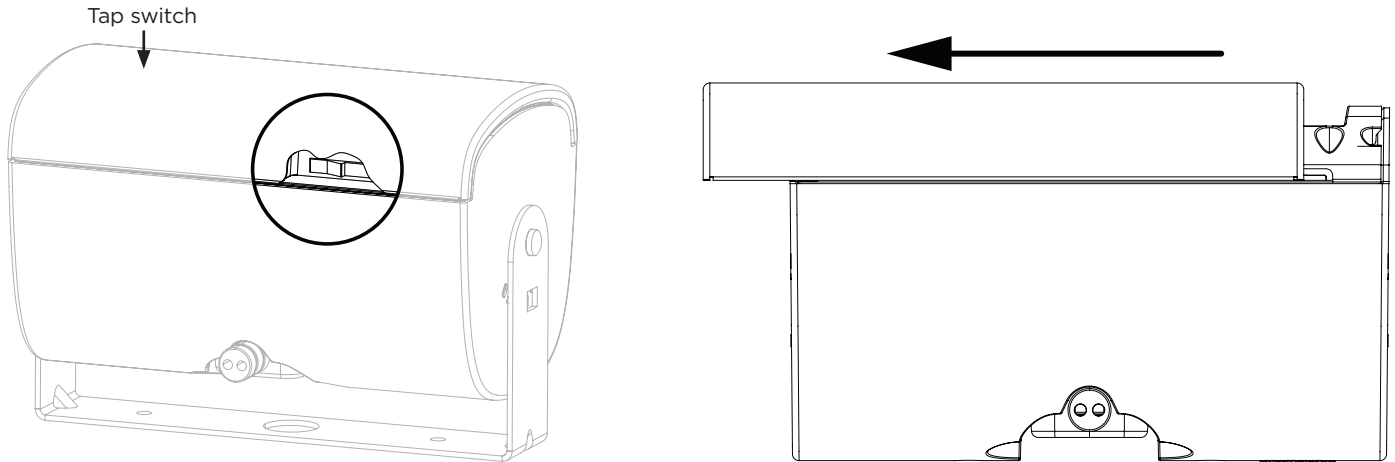
1. Attach the wired connector to the loudspeaker.
2. Place the input cover over the connector and press it firmly against the loudspeaker to create a tight seal. Use the two included input cover screws to secure the input cover. See **Preparing the Input Cover** on page 4.
3. Hold the loudspeaker in between the bracket arms and insert one of the included bracket screws into each side of the loudspeaker using the threaded inserts.
4. Align the pins on the mounting bracket with the angle slots appropriate for your installation and snap the bracket into the loudspeaker. **Note:** The angle of the loudspeaker can be adjusted to 0° , $\pm 15^\circ$, $\pm 30^\circ$, or $\pm 45^\circ$. **Note:** In outdoor applications, do not install the loudspeaker with an upward pitch.
5. Tighten the screws on both sides of the loudspeaker to secure the loudspeaker to the mounting bracket. Do not over-torque the screw. **Note:** Before attaching the grille, adjust the loudspeaker tap settings to the appropriate setting for the installation. See **Loudspeaker Settings** on page 5.
6. Locate the extended grille tab on the inside of the grille. Attach the grille by sliding it into place. Be sure the extended grille tab attaches to the grille lock on the loudspeaker enclosure.



Removing the Grille

The grille is secured to the loudspeaker by the grille lock. Disengage the grille lock by inserting a small tool through the grille perforation (no larger than 1.5 millimeters in diameter). While depressing the grille lock, slide the grille away from the loudspeaker to detach it.

Note: The grille lock is located on the loudspeaker opposite of the tap switch. See the diagram below for the grille lock location.



Adjusting the Logo

The FreeSpace FS2SE comes with a pre-installed Bose logo for horizontal installations. The loudspeaker also comes with a separate logo for vertical installations. To remove the logo, peel it away from the loudspeaker grille. To apply the vertical logo, find the center of the grille and align the notches on the back of the logo with the grille perforation. Press to affix it to the loudspeaker grille.

Safety and Regulatory Compliance

The FreeSpace FS2SE loudspeaker has passed testing and complies with the following specifications and uses:

Listed to ANSI/UL 1480-2016, CAN/ULC-S541

Fire Protective Signaling Use – UL Category UUMW/UUMW7, File Number S 3241. Control Number 42S9.
Not for use with DC-supervised systems.

Suitable for use outdoors in wet locations.

EN 54-24: 2008, Loudspeaker for Voice Alarm Systems for Fire Detection and Fire Alarm Systems for Buildings

Environmental: Type B (outdoor applications)

Suitable for installation using Class 1, Class 2, or Class 3 wiring methods in accordance with NFPA 70, National Electric Code, 2002, Article 640.

Suitable for use with fire alarm circuit wiring methods in accordance with NFPA 70, National Electric Code, 2002, Article 760.

NFPA 70, National Electric Code, 2002, Article 300-22 (c).

NFPA 90-A, 2002, Installation of Air Conditioning and Ventilation Systems, Paragraph 4.3.10.2.6.5.

EMC Directive 89/336/EEC and Article 10 (1) of the directive, EN50081-1 and EN50082-1 as signified by the CE mark.

The FreeSpace FS2SE has been designed to the requirements defined in the following European regulatory specifications for combination systems:

British Standard Code of Practice BS 5839, Part 8, when used with the ceramic terminal block and thermal fuse.

Tested to IEC60268-5.

Nominal Coverage Angle (per UL 1480) Vertical: 120°/50° at -3 dB; 155°/25° at -6 dB
Horizontal: 120°/60° at -3 dB; 155°/25° at -6 dB



UL Sensitivity Wattage Tap Sound Pressure Level dBA at 3.1 meters (10 feet):

Wattage	CAN/ULC-S541 Canada		Wattage	ANSI/UL 1480-2016 United States		
	Tap	70 V		100 V	Tap	70 V
1 W		77.9 dBA	—	1 W	72.4 dBA	—
2 W		80.8 dBA	80.8 dBA	2 W	74.7 dBA	74.9 dBA
4 W		83.3 dBA	83.3 dBA	4 W	77.5 dBA	77.5 dBA
8 W		86.0 dBA	85.9 dBA	8 W	80.2 dBA	80.0 dBA
16 W		87.7 dBA	87.7 dBA	16 W	82.6 dBA	82.5 dBA
16 Ω		87.5 dBA	—	16 Ω	82.6 dBA	—

SPLs given are per the UL 1480 specified reporting method.

Frequency response:

Fire alarm (UL): 95 Hz to 17000 Hz

 0843	 2821
Bose Corporation 100 The Mountain Rd, Framingham, MA 01701 21 DOP 434849-13	
EN 54-24: 2008 Loudspeaker for voice alarm systems for fire detection and fire alarm systems for buildings FreeSpace FS2SE Provided options: Type B For DOP 434849-13, see BoseProfessional.com/FS2SE_DOP_NL	

Lea y conserve todas las instrucciones de uso y seguridad.

Este producto está diseñado para ser instalado únicamente por instaladores profesionales. Este documento está diseñado para proveer las pautas de seguridad e instalación básicas a los instaladores profesionales de este producto en sistemas de instalación fija comunes. Lea este documento y todas las advertencias de seguridad antes de comenzar la instalación.

No intente reparar este producto por su cuenta. Remita todas las reparaciones a centros de servicio, instaladores, técnicos o distribuidores autorizados. Para comunicarse con Bose Professional o para encontrar un distribuidor cerca de usted, visite BoseProfessional.com.

1. Lea estas instrucciones.
2. Guarde estas instrucciones.
3. Preste atención a las advertencias.
4. Siga todas las instrucciones.
5. No obstruya ninguna abertura de ventilación. Realice la instalación conforme a las instrucciones del fabricante.
6. No lo instale cerca de una fuente de calor, como radiadores, rejillas de calefacción, estufas u otros aparatos (incluidos los amplificadores) que produzcan calor.
7. Utilice solamente los accesorios especificados por el fabricante.

ADVERTENCIAS/PRECAUCIONES

Este producto contiene materiales magnéticos. Consulte con su médico si esto podría llegar a afectar un dispositivo médico implantado.

Contiene piezas pequeñas que pueden provocar asfixia. No recomendable para niños menores de 3 años.

- Es responsabilidad del instalador utilizar un sistema de soporte que tenga la suficiente resistencia a la carga del viento para cumplir con los códigos y normas aplicables.
- Todos los productos Bose Professional deben instalarse conforme a las leyes locales, estatales, federales y del sector. Es responsabilidad del instalador garantizar que la instalación del sistema de soporte y los altavoces se realice conforme a los códigos aplicables, incluidos los códigos y las reglamentaciones de construcción locales. Consulte a la autoridad local competente antes de instalar este producto.
- El montaje inseguro o la suspensión en altura de cualquier carga pesada pueden provocar lesiones graves o la muerte, además de daños a la propiedad. Es responsabilidad del instalador evaluar la confiabilidad de cualquier método de montaje utilizado para su aplicación. Únicamente los instaladores profesionales con conocimiento de las herramientas adecuadas y las técnicas de montaje seguro deberán intentar instalar cualquier altavoz en altura.
- Monte únicamente en superficies que sean resistentes o que no presenten peligros ocultos, como cableado eléctrico o plomería. Asegúrese de que un instalador profesional calificado instale el soporte y que lo haga de acuerdo con los códigos de construcción locales.
- Utilice solo el hardware y los accesorios incluidos, o bien los que Bose Professional especifica como aptos para los altavoces FreeSpace FS2SE. No se suministran los componentes para fijar el altavoz a la superficie de montaje. Para obtener información sobre los accesorios compatibles, consulte la hoja de datos técnicos del producto en BoseProfessional.com.
- Mantenga el producto lejos del fuego y de fuentes de calor. No coloque sobre el producto, o en su proximidad, fuentes de llamas sin protección; por ejemplo, velas encendidas.
- No realice alteraciones no autorizadas a este producto.
- El soporte para montaje en pared FreeSpace FS2SE está destinado únicamente para el uso con el modelo FS2SE.
- No exponga el altavoz ni los componentes de montaje a sustancias químicas que no hayan sido especificadas por Bose Professional, incluidos, entre otros, lubricantes, productos de limpieza, aerosoles de contacto o disolventes a base de hidrocarburos. La exposición a estas sustancias puede degradar el plástico, lo que produce grietas y el riesgo de que se caiga el dispositivo.
- Limpie los altavoces solo con un paño seco. No exponga los altavoces a detergentes, aceite mineral, alcohol ni otros agentes o químicos de limpieza.

Especificaciones del producto:

Voltaje de entrada: 70 V/100 V

Impedancia: 16 Ω, 16 W

Opciones de potencia de salida: (70 V): 1 W, 2 W, 4 W, 8 W, 16 W; (100 V): 2 W, 4 W, 8 W, 16 W

Información normativa**No pinte ni modifique los acabados aplicados en fábrica.**

Este producto cumple con todos los requisitos correspondientes de la Directiva de la UE. La declaración de conformidad completa se puede encontrar en:

www.Bose.com/compliance.



Este producto cumple con todas las regulaciones aplicables de compatibilidad electromagnética de 2016 y todas las demás regulaciones aplicables del Reino Unido. La declaración de conformidad completa se puede encontrar en:

www.Bose.com/compliance



Este símbolo indica que el producto no se debe desechar como residuo doméstico y se debe enviar a una planta para tratamiento de residuos apropiada para su reciclado. Una eliminación y un reciclado adecuados ayudan a proteger los recursos naturales, la salud humana y el medioambiente. Para obtener más información acerca de la eliminación y el reciclado de este producto, comuníquese con su municipalidad local, un centro de servicios de desecho o la tienda donde compró este producto.

Fecha de fabricación: el octavo dígito del número de serie indica el año de fabricación; p. ej., "7" es 2007 o 2017.

Importador para China: Bose Electronics (Shanghai) Company Limited, Part C, Plant 9, no. 353 North Riyang Road, China (Shanghai), Zona franca piloto

Importador para la UE: Bose Products B.V., Gorslaan 60, 1441 RG Purmerend, Países Bajos

Importador para México: Bose de México, S. de R.L. de C.V., Paseo de las Palmas 405-204, Lomas de Chapultepec, 11000 México, D.F. Para obtener información sobre el servicio y el importador, comuníquese al: +5255 (5202) 3545

Importador para Taiwán: Bose Taiwan Branch, 9F-A1, N° 10, Section 3, Minsheng East Road, Taipei City 104, Taiwán. Número telefónico: +886-2-2514 7676

Importador en el Reino Unido: Bose Limited, Bose House, Quayside Chatham Maritime, Chatham, Kent, ME4 4QZ, Reino Unido

Bose es una marca comercial de Bose Corporation.

FreeSpace es una marca comercial de Transom Post OpCo LLC.

Bose Corporation, Framingham, MA 01701, U.S.A. 1-877-230-5639

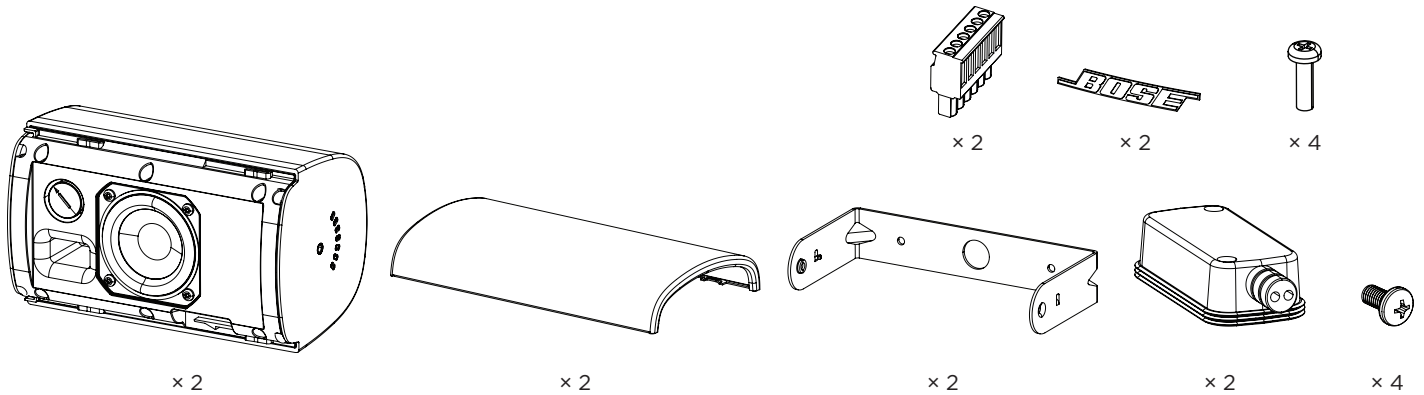
©2023 Transom Post OpCo LLC. Ninguna parte de este trabajo podrá reproducirse, modificarse, distribuirse ni usarse sin un permiso previo por escrito.

Información de la garantía

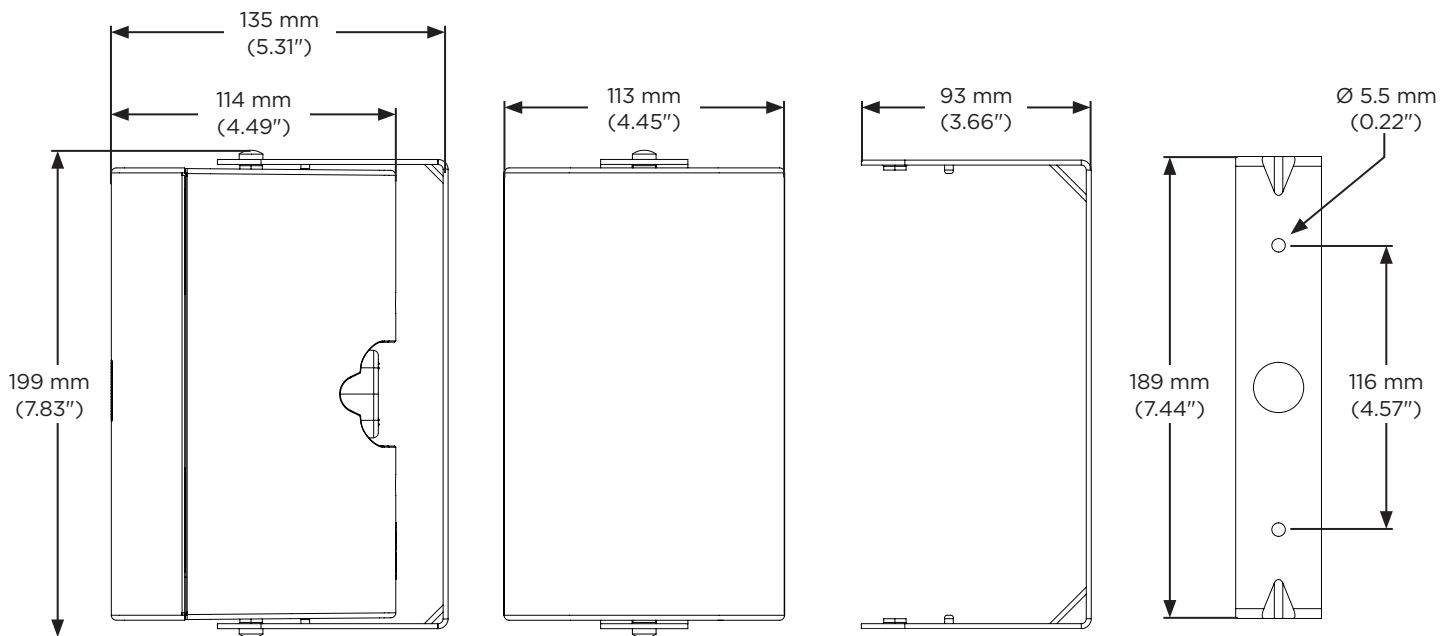
Este producto está cubierto con una garantía limitada.

Para ver los detalles de la garantía, visite BoseProfessional.com/Warranty.

Contenido de la caja



Dimensiones del producto



Especificaciones técnicas

Para conocer más especificaciones, consulte la hoja de datos técnicos de FreeSpace FS2SE en BoseProfessional.com. Para conocer las especificaciones de EN 54-24 (incluido el ecualizador externo), consulte las calificaciones de certificaciones de FreeSpace FS2SE EN 54-24 (AM857612 Rev. 01) en BoseProfessional.com.

Datos físicos	
Dimensiones del producto	Alto: 199 mm (7.83")
	Ancho: 113 mm (4.45")
	Profundidad: 135 mm (5.31")
Peso neto, altavoz con rejilla y soporte (individual)	1.63 kg (3.60 lb)
Peso de envío (par)	4.17 kg (9.20 lb)
Ambiente de uso	Adecuado para uso en áreas exteriores en lugares húmedos con cubierta de entrada resistente a la intemperie (IP55 según EN60529 e IP33C según EN 54-24). La rejilla opcional de aluminio para ambientes de uso hostiles que evita la corrosión roja está disponible a modo de accesorio.

Información importante sobre la instalación



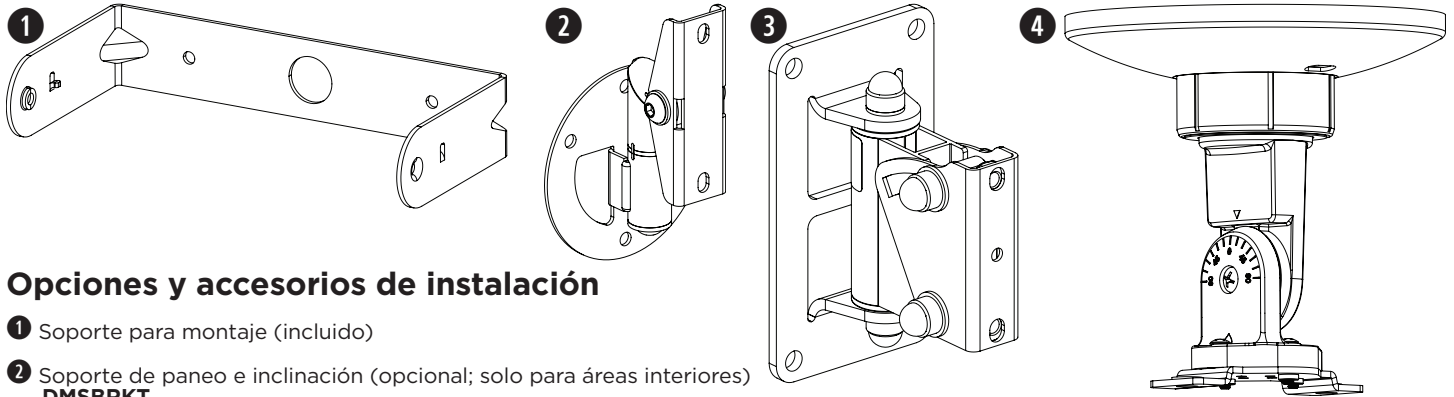
Antes de instalar el altavoz, revise las **Instrucciones importantes de seguridad** en la página 9.



Para **aplicaciones de notificación en caso de incendio y evacuación**, cuenta con clasificación de ambiente de uso IP33C según EN 54-24.

Para **aplicaciones de instalación de audio de uso general**, cuenta con clasificación de ambiente de uso IP55 según EN60529.

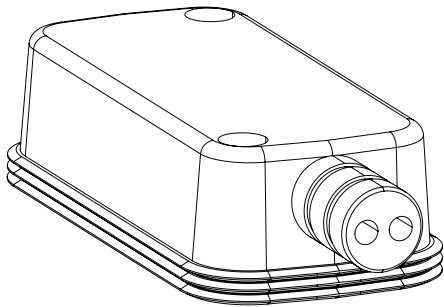
Opciones de instalación



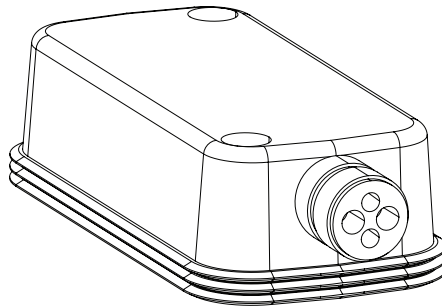
Opciones y accesorios de instalación

- 1 Soporte para montaje (incluido)
- 2 Soporte de paneo e inclinación (opcional; solo para áreas interiores) **DMSBRKT**
- 3 Soporte de paneo e inclinación (opcional; solo para áreas exteriores) **WBPWR-50**
- 4 Soporte de montaje en techo **CMBS2** (opcional; solo para áreas interiores)

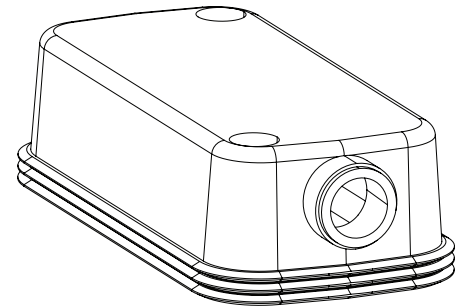
Entrada única



Entrada y salida



Abertura completa



Preparación de la cubierta de entrada

La cubierta de entrada está diseñada para 3 arreglos de cableado diferentes (consulte las imágenes ubicadas arriba). Para cambiar el formato de la cubierta de entrada a fin de ser compatible con el arreglo del cableado, corte a lo largo de la perforación en el conducto de goma. Utilice un acoplamiento roscado de 1.27 cm a 1.27 cm (1/2" a 1/2") y dos accesorios de conducto de tamaño comercial de 0.95 cm (3/8") para troqueles de 1.27 cm (1/2") (consulte el siguiente diagrama).

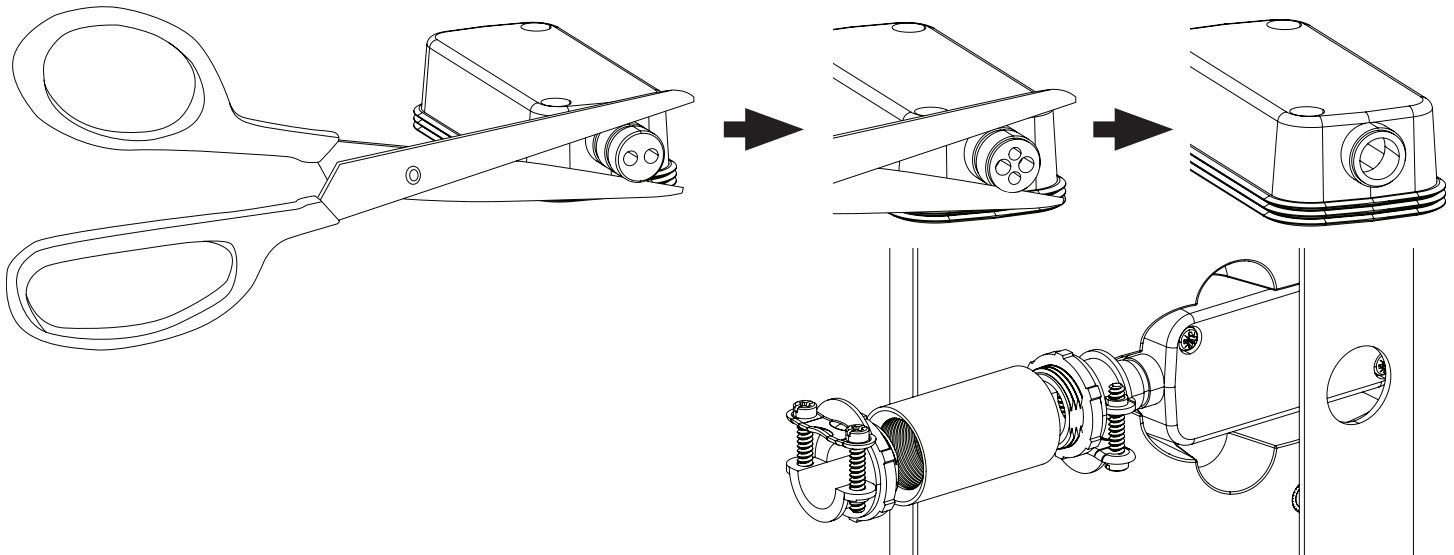


PRECAUCIÓN: No utilice un arreglo de cableado de abertura completa cuando instale la cubierta de entrada con un conducto flexible.

PRECAUCIÓN: Para evitar el ingreso de agua, no instale la cubierta de entrada orientada hacia arriba.

Nota: Es responsabilidad del instalador sellarla para que no entre agua en el conector Euroblock. Utilice silicona para áreas exteriores o de calidad naval a fin de sellar todas las conexiones de cableado y así garantizar un sello hermético.

Nota: Los conductos y acoplamientos flexibles deben cumplir con el estándar UL, ser adecuados para la aplicación e instalarse conforme a las autoridades locales competentes.



Cableado de los altavoces

Calibre de cable

El altavoz FreeSpace FS2SE está diseñado para funcionar únicamente con cables que midan de 18 AWG (0.8 mm²) a 14 AWG (2.1 mm²).

Diagramas de conexión

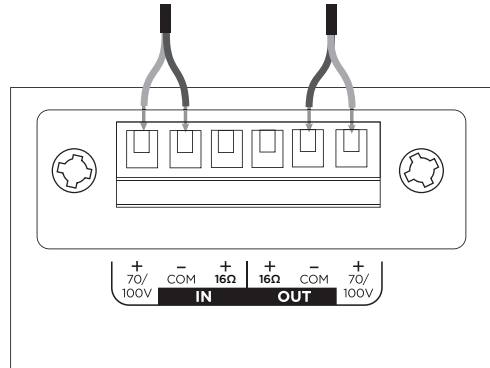
Exponga 6 mm (¼") de cable sin aislación para conectarlo a los terminales.

Nota: El altavoz no está diseñado para su uso con un conducto rígido. El altavoz es apto solamente para conexiones mediante cableado o conductos flexibles.

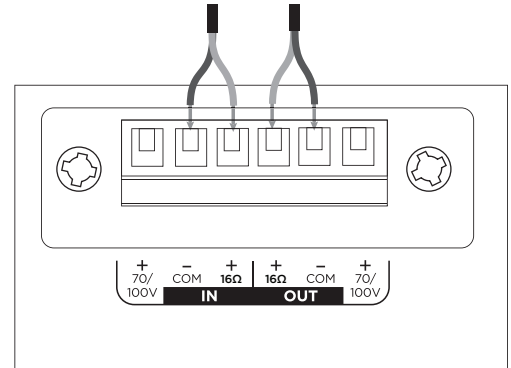
Nota: El método de cableado debe cumplir con los siguientes códigos:

En Canadá, CSA C22.1, el Código Canadiense de Normas de Electricidad, Parte I, Estándar de Seguridad para Instalaciones Eléctricas, Sección 32.

En Estados Unidos, el Código Eléctrico Nacional, NFPA 70, y el Código Nacional de Alarma de Incendio y Señalización, NFPA 72.

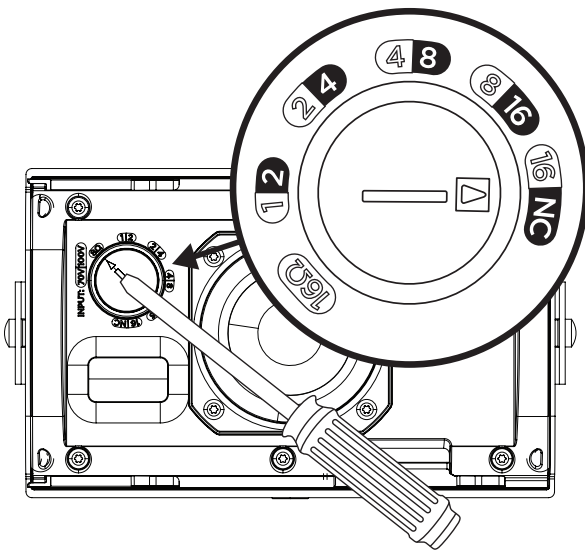


70/100 V



16 Ω

Configuración del altavoz



70 V					16 Ω
1 W	2 W	4 W	8 W	16 W*	
2 W	4 W	8 W	16 W	NC**	
100 V					

* Predeterminado de fábrica ** NC: Sin conexión (no utilizar)

Configuración de la toma del transformador

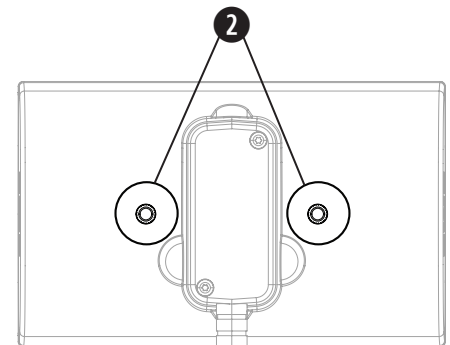
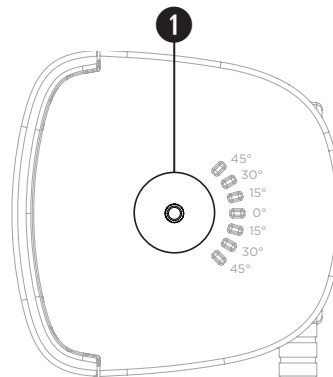
Gire la toma para establecer la configuración. Utilice un destornillador de cabeza plana.

Uso de un cable de seguridad

En algunos códigos regionales de construcción se exige el uso de un método secundario de fijación de los altavoces a estructuras de apoyo con el propósito de brindar mayor seguridad. Elija una posición de montaje, un método y los componentes que cumplan con los códigos y los reglamentos locales de construcción.

Se puede conectar un cable de seguridad al altavoz utilizando una de las inserciones roscadas situadas en la parte posterior o en los laterales de la carcasa. Si instala el altavoz con el soporte de montaje incluido, utilice una de las inserciones roscadas posteriores (2). Si instala el altavoz con uno de los soportes opcionales incluidos como accesorios (consulte la página 4), utilice una de las inserciones roscadas laterales (1). Consulte el diagrama situado a la derecha para conocer los puntos de fijación de seguridad.

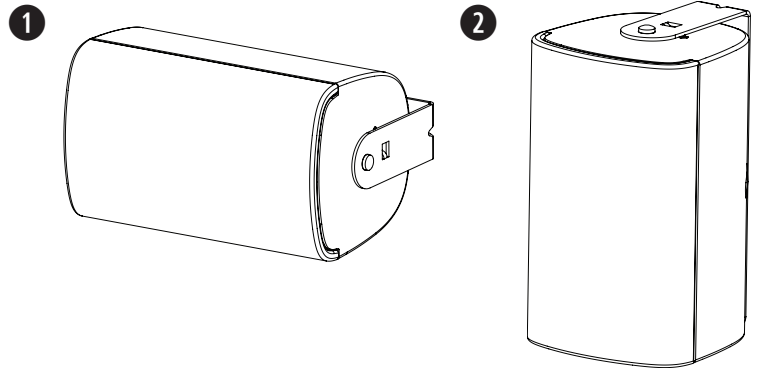
Las inserciones laterales (1) tienen la medida de los tornillos M5 (no incluidos) con una profundidad de 11 mm (0.43"). Las inserciones posteriores (2) tienen la medida de los tornillos M6 con una profundidad de 12 mm (0.47").



Orientación del altavoz

Escoja la orientación del altavoz que se adapte mejor a su instalación.

- 1 Horizontal
- 2 Vertical

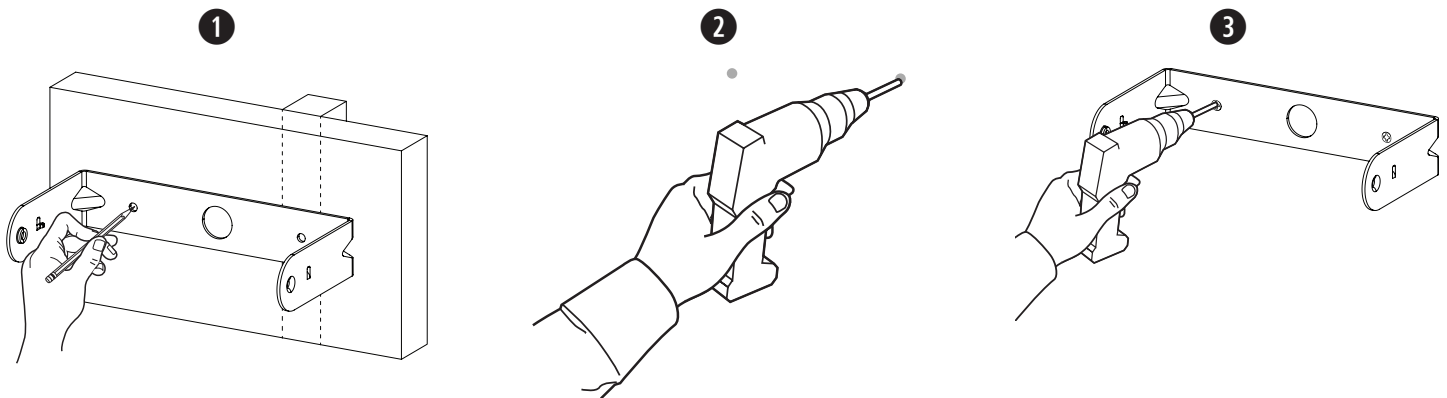


Instalación del soporte

Nota: En el momento de elegir una ubicación de instalación, al menos uno de los puntos de fijación del soporte de montaje debe fijarse a una estructura de soporte. Los puntos de fijación no asegurados a una estructura de soporte deben ajustarse con las herramientas adecuadas para la instalación. Elija sujetadores que sean adecuados para todos los códigos y requisitos de construcción locales.

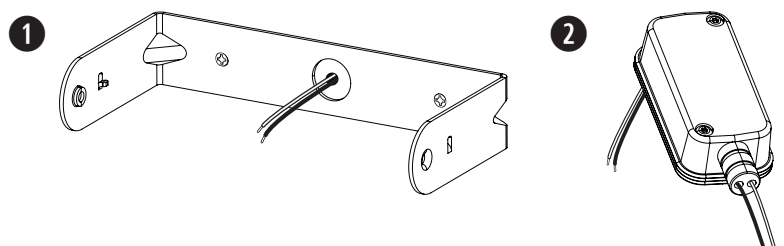
Nota: Elija los sujetadores adecuados para soportar el peso del altavoz (1.63 kg [3.60 lb]).

1. Marque el lugar en el que hará los orificios con el taladro.
2. Perfore 2 orificios (del tamaño adecuado para las fijaciones) en la pared.
3. Fije el soporte a la pared con 2 tornillos (no incluidos). **Nota:** Utilice tornillos de tamaño M5 o nº 10-24.



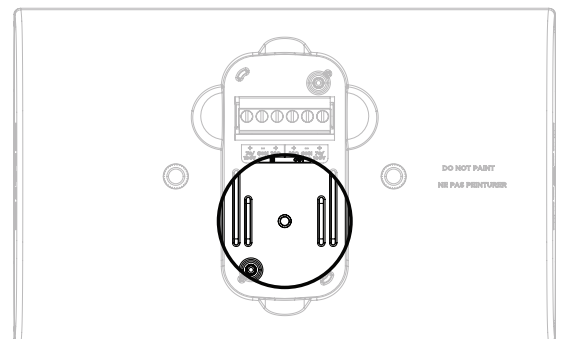
Conexión del conector

1. Pase los cables a través del orificio central del soporte.
2. Inserte los cables a través de la parte inferior de la cubierta de entrada. Consulte **Preparación de la cubierta de entrada** en la página 11.
3. Conecte el altavoz. Para obtener información sobre el cableado, consulte **Conexión del altavoz** en la página 12.



Punto de sujeción del terminal de cerámica

El FreeSpace FS2SE es compatible con un terminal de cerámica opcional. Consulte el diagrama para conocer la ubicación del punto de sujeción del terminal de cerámica. Para obtener más información sobre el terminal de cerámica, consulte la guía de instalación del terminal de cerámica en BoseProfessional.com.

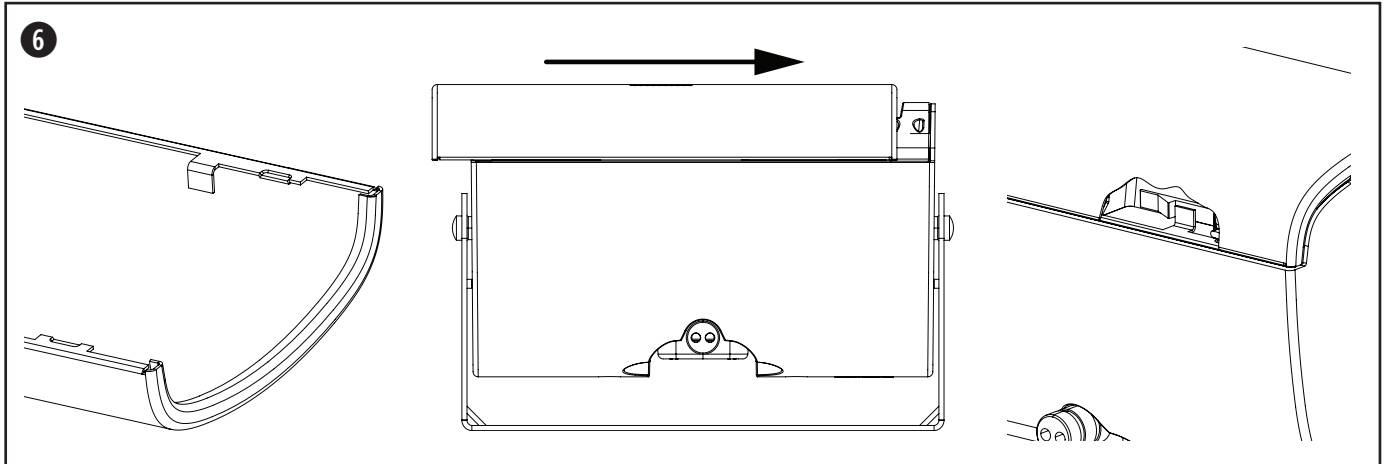
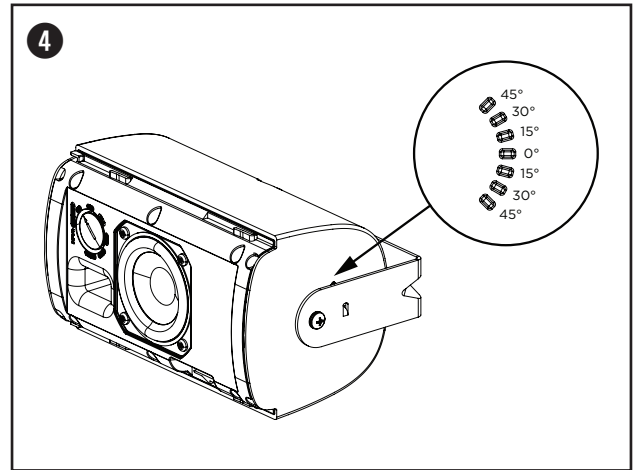
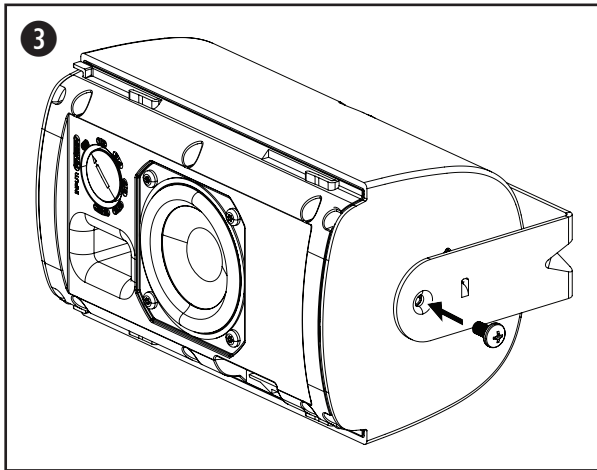
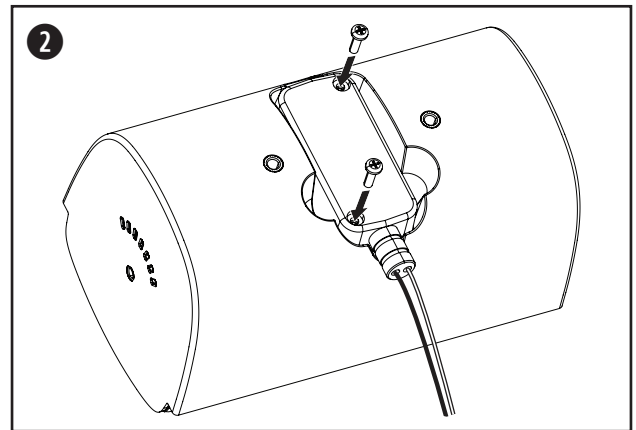
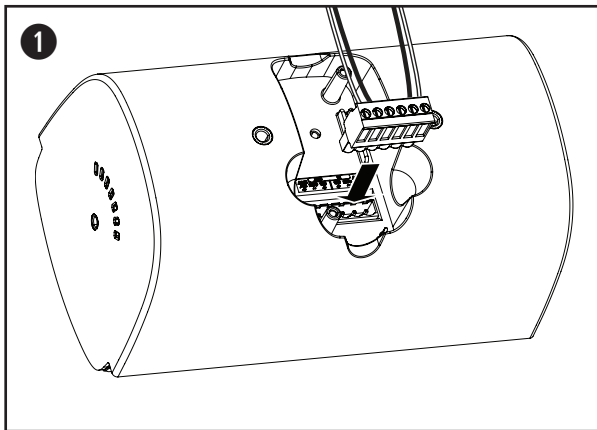


Instalación del altavoz



ADVERTENCIA: Si no realiza los siguientes pasos, puede tener como resultado una condición de montaje insegura, lo que podría generar un riesgo de caída.

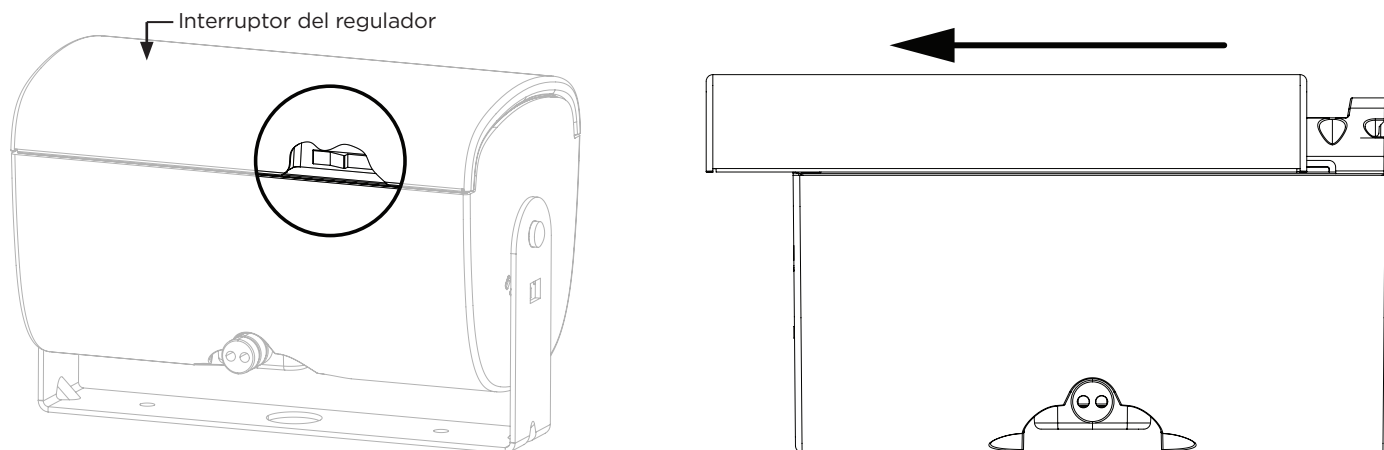
1. Fije el conector con cables al altavoz.
2. Coloque la cubierta de entrada sobre el conector y presiónela firmemente contra el altavoz para crear un sello hermético. Utilice los 2 tornillos de la cubierta incluidos para fijar la cubierta de entrada. Consulte **Preparación de la cubierta de entrada** en la página 11.
3. Sostenga el altavoz entre los brazos del soporte e inserte uno de los tornillos del soporte incluidos en cada lateral del altavoz utilizando las inserciones roscadas.
4. Alinee los pasadores del soporte de montaje con las ranuras angulares correspondientes a su instalación y encaje el soporte en el altavoz.
Nota: El ángulo del altavoz se puede ajustar a 0°, ±15°, ±30° o ±45°.
Nota: En aplicaciones en áreas exteriores, no instale el altavoz inclinado hacia arriba.
5. Fije los tornillos en ambos laterales del altavoz para fijar el altavoz al soporte de montaje. No apriete demasiado el tornillo.
Nota: Antes de colocar la rejilla, ajuste la configuración de la toma del altavoz según la configuración adecuada para su instalación. Consulte **Configuración del altavoz** en la página 12.
6. Busque la lengüeta extendida de la rejilla en el interior de esta. Para fijar la rejilla, deslícela hasta que quede en su lugar. Asegúrese de que la lengüeta extendida de la rejilla encaje en la traba de esta en la carcasa del altavoz.



Extracción de la rejilla

La rejilla queda fija en el altavoz mediante la traba de la rejilla. Suelte la traba de la rejilla utilizando una herramienta pequeña a través de la perforación de la rejilla (de no más de 1.5 mm de diámetro). Mientras presiona la traba de la rejilla, deslice la rejilla en dirección contraria al altavoz para desmontarla.

Nota: La traba de la rejilla está ubicada en el lado opuesto del interruptor del regulador del altavoz. Consulte el siguiente diagrama para conocer la ubicación de la traba de la rejilla.



Ajuste del logotipo

FreeSpace FS2SE incluye un logotipo de Bose preinstalado para instalaciones horizontales. El altavoz también cuenta con un logotipo separado para instalaciones verticales. Para quitar el logotipo, despegue el adhesivo de la rejilla del altavoz. Para colocar el logotipo vertical, busque el centro de la rejilla y alinee las ranuras de la parte posterior del logotipo con la perforación de la rejilla. Presione para adherirlo a la rejilla del altavoz.

Cumplimiento de las normativas y los reglamentos de seguridad

El altavoz FreeSpace FS2SE ha superado pruebas y cumple con los siguientes usos y especificaciones:

Registrados en el estándar ANSI/UL 1480-2016, CAN/ULC-S541

Sistema de aviso de protección contra incendios: UL categoría UUMW/UUMW7, número de archivo S 3241, Número de control 42S9.
No apto para su uso en sistemas con CC monitoreada.

Apto para su uso en áreas exteriores en lugares húmedos.

EN 54-24: 2008, altavoz para sistemas de alarma por voz para la detección de incendios y sistemas de alarma de incendios de edificios

Tipo de ambiente de uso: B (aplicaciones en áreas exteriores)

Apto para su instalación con métodos de cableado Clase 1, Clase 2 o Clase 3 en conformidad con el estándar NFPA 70, Código Eléctrico Nacional, 2002, Artículo 640.

Apto para su uso con métodos de cableado de circuitos de alarma contra incendios en conformidad con el estándar NFPA 70, Código Eléctrico Nacional, 2002, Artículo 760.

Estándar NFPA 70, Código Eléctrico Nacional, 2002, Artículo 300-22(c).

Estándar NFPA 90-A, 2002, instalación de sistemas de aire acondicionado y ventilación, Párrafo 4.3.10.2.6.5.

Directiva de EMC 89/336/EEC y artículo 10 (1) de la directiva, EN50081-1 y EN50082-1 como lo indica la marca CE.

El altavoz FreeSpace FS2SE se diseñó según los requisitos definidos en las siguientes especificaciones reglamentarias europeas para sistemas combinados:

Norma británica, código de práctica BS 5839, parte 8, cuando se utiliza con el bloque de terminales de cerámica y los fusibles térmicos.

Probado según IEC60268-5.

Ángulo de cobertura nominal (según UL 1480) Vertical: 120°/50° a -3 dB; 155°/25° a -6 dB

Horizontal: 120°/60° a -3 dB; 155°/25° a -6 dB

Sensibilidad de dBA del nivel de presión acústica del regulador de watts del estándar UL a 3,1 metros (10 pies):

Regulador de Watts	Estándar CAN/ULC-S541 Canadá	
	70 V	100 V
1 W	77.9 dBA	—
2 W	80.8 dBA	80.8 dBA
4 W	83.3 dBA	83.3 dBA
8 W	86.0 dBA	85.9 dBA
16 W	87.7 dBA	87.7 dBA
16 Ω	87.5 dBA	—

Regulador de Watts	Estándar ANSI/UL 1480-2016 Estados Unidos	
	70 V	100 V
1 W	72.4 dBA	—
2 W	74.7 dBA	74.9 dBA
4 W	77.5 dBA	77.5 dBA
8 W	80.2 dBA	80.0 dBA
16 W	82.6 dBA	82.5 dBA
16 Ω	82.6 dBA	—

Los SPL indicados se ajustan al método de generación de informes especificado por el estándar UL 1480.

Respuesta de frecuencia:


Alarma de incendio (UL): 95 Hz a 17000 Hz

Merci de lire et de conserver le manuel d'instruction et de respecter les consignes de sécurité.


Ce produit doit être installé par un technicien professionnel ! Ce document est destiné à fournir aux techniciens professionnels les directives de montage et de sécurité relatives à ce produit dédié à une installation fixe. Veuillez lire ce document, ainsi que l'ensemble des avertissements de sécurité avant de procéder à l'installation.


Ne tentez pas de réparer ce produit vous-même. Confiez toutes les opérations de maintenance à des centres de service, installateurs, techniciens, revendeurs ou distributeurs agréés. Pour contacter Bose Professional ou pour trouver un revendeur ou un distributeur près de chez vous, rendez-vous à l'adresse BoseProfessional.com.


1. Veuillez lire ces consignes.
2. Veuillez conserver ces consignes.
3. Respectez tous les avertissements.
4. Suivez toutes les consignes.
5. Ne bloquez jamais les orifices d'aération. Suivez les instructions du fabricant pour l'installation.
6. N'installez pas cet appareil à proximité d'une quelconque source de chaleur, telle qu'un radiateur, une arrivée d'air chaud, un four ou tout autre appareil (notamment les amplificateurs) produisant de la chaleur.
7. Utilisez uniquement les accessoires spécifiés par le fabricant



AVERTISSEMENTS/PRÉCAUTIONS



 Ce produit contient des composants magnétiques. Consultez votre médecin afin de savoir si ces composants peuvent avoir une incidence sur tout dispositif médical implanté.

 Certaines petites pièces présentent un risque de suffocation. Ne les laissez pas à la portée des enfants de moins de 3 ans.

- Il incombe à l'installateur d'utiliser un système de support dont la résistance au vent est suffisante pour garantir la conformité aux codes et normes applicables.
- Tous les produits Bose Professional doivent être installés dans le respect des réglementations locales et nationales. L'installateur est responsable du respect de tous les codes et règlements locaux et nationaux en vigueur applicables à l'installation et au montage des enceintes. Consultez les autorités locales compétentes avant d'installer ce produit.
- Tout montage non sécurisé ou suspension d'une lourde charge peut provoquer des dégâts matériels et des blessures graves, voire la mort. Il est de la responsabilité de l'installateur d'évaluer la fiabilité de la méthode de montage utilisée, en fonction de l'application. Seul un installateur professionnel connaissant les accessoires et techniques de montage adaptés est qualifié pour installer des enceintes suspendues.
- Veillez à ne pas installer sur des surfaces peu résistantes ou dans lesquelles peuvent être intégrés des éléments dangereux, tels que des fils électriques ou des tuyaux de plomberie. Confiez l'installation du support à un professionnel qualifié, conformément aux réglementations locales.
- N'utilisez que le matériel et les accessoires livrés ou spécifiés par Bose Professional pour une utilisation avec les enceintes FreeSpace FS2SE. Le matériel de fixation de l'enceinte sur la surface de montage n'est pas fourni. Pour plus d'informations sur les accessoires compatibles, reportez-vous à la fiche technique du produit sur BoseProfessional.com.
- Tenez le produit à l'écart du feu et des sources de chaleur. Ne placez jamais d'objets enflammés, tels que des bougies allumées, sur l'appareil.
- Veillez à ne pas effectuer de modifications non autorisées sur ce produit.
- Le support de montage mural des enceintes FreeSpace FS2SE ne peut être utilisé qu'avec le modèle FS2SE.
- N'exposez pas l'enceinte ou les accessoires de montage à des substances chimiques qui ne sont pas spécifiées par Bose Professional, y compris, mais sans s'y limiter, les lubrifiants, les produits de nettoyage, les sprays de contact ou les solvants à base d'hydrocarbures. L'exposition à de telles substances peut provoquer une dégradation du matériau plastique, se traduisant par des fêlures pouvant conduire à une chute de l'enceinte.
- Nettoyez uniquement les enceintes avec un chiffon sec. N'exposez pas l'enceinte à du savon, des détergents, des huiles minérales, de l'alcool ou d'autres agents nettoyants ou chimiques.

Spécifications du produit :

Tension d'entrée : 70 V/100 V

Impédance : 16 Ω, 16 W


Courant ou puissance : (70 V) : 1 W, 2 W, 4 W, 8 W, 16 W ; (100 V) : 2 W, 4 W, 8 W, 16 W

Informations réglementaires

Ne repeignez pas et ne modifiez pas les finitions appliquées en usine.

CE Ce produit est conforme à toutes les directives de l'Union européenne qui s'y appliquent. La déclaration de conformité complète est disponible à l'adresse suivante : www.Bose.com/compliance/.

UK CA Ce produit est conforme à toutes les réglementations de 2016 en matière de compatibilité électromagnétique et à toutes les autres réglementations britanniques applicables. L'attestation complète de conformité est disponible à l'adresse www.Bose.com/compliance

 Ce symbole signifie que le produit ne doit pas être jeté avec les déchets ménagers, mais doit être déposé dans un centre de collecte approprié pour recyclage. La mise au rebut adéquate et le recyclage permettent de protéger les ressources naturelles, la santé humaine et l'environnement. Pour plus d'informations sur l'élimination et le recyclage de ce produit, contactez votre mairie, votre service d'enlèvement des ordures ou le magasin où vous avez acheté ce produit.

Date de fabrication : le huitième chiffre du numéro de série indique l'année de fabrication ; par exemple, « 7 » correspond à 2007 ou à 2017.

Importateur pour la Chine : Bose Electronics (Shanghai) Company Limited, Part C, Plan 9 No. 353 North Riyang Road, China (Shanghai) Pilot Free Trade Zone

Importateur pour l'UE : Bose Products B.V., Gorslaan 60, 1441 RG Purmerend, Pays-Bas

Importateur pour le Mexique : Bose de México, S. de R.L. de C.V., Paseo de las Palmas 405-204, Lomas de Chapultepec, 11000 México, D.F. Pour plus d'informations sur l'importateur et le service : +5255 (5202) 3545

Importateur pour Taïwan : Bose Taiwan Branch, 9F-A1, No. 10, Section 3, Minsheng East Road, Taipei City 104, Taïwan. Numéro de téléphone : +886-2-2514 7676

Importateur pour le Royaume-Uni : Bose Limited, Bose House, Quayside Chatham Maritime, Chatham, Kent, ME4 4QZ, Royaume-Uni

Bose est une marque commerciale de Bose Corporation.

FreeSpace est une marque commerciale de Transom Post OpCo LLC.

Bose Corporation, Framingham, MA 01701, U.S.A. 1-877-230-5639

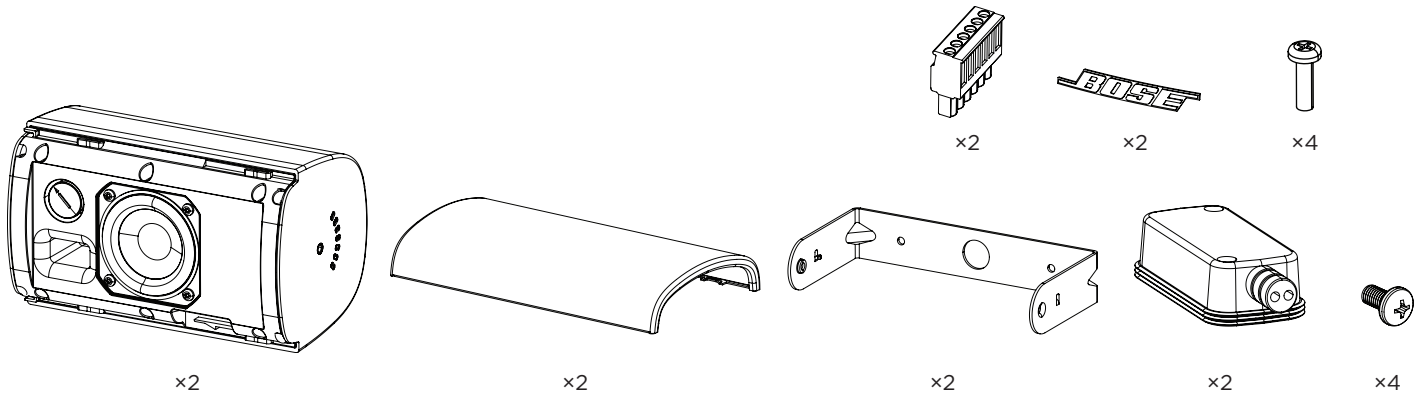
©2023 Transom Post OpCo LLC. Toute reproduction, modification, distribution ou autre utilisation, même partielle, de ce document est interdite sans autorisation écrite préalable.

Informations relatives à la garantie

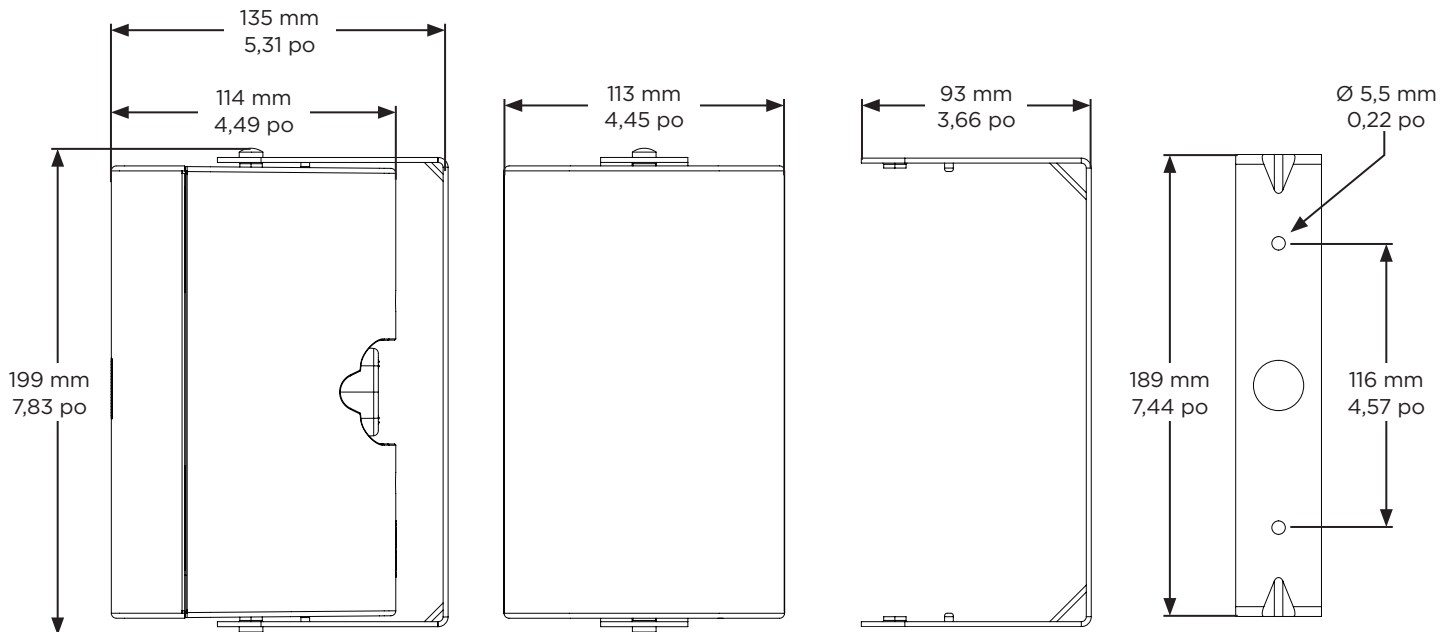
Cet appareil est couvert par une garantie limitée.

Pour avoir plus d'information sur la garantie, visitez BoseProfessional.com/Warranty.

Contenu de l'emballage



Dimensions du produit



Caractéristiques techniques

Pour consulter d'autres caractéristiques, veuillez vous reporter à la fiche technique de l'enceinte FreeSpace FS2SE sur le site **BoseProfessional.com**. Pour consulter les caractéristiques de la norme EN 54-24 (y compris concernant les égaliseurs externes requis), veuillez vous reporter aux évaluations certifiées EN 54-24 de l'enceinte FreeSpace FS2SE (AM857612 Rev. 01) sur **BoseProfessional.com**.

Caractéristiques physiques	
Dimensions du produit	Hauteur : 199 mm (7,83 po)
	Largeur : 113 mm (4,45 po)
	Profondeur : 135 mm (5,31 po)
Poids net, enceinte avec grille et support (une seule enceinte)	1,63 kg (3,60 lb)
Poids brut (paire d'enceintes)	4,17 kg (9,20 lb)
Environnement	Utilisable en extérieur et dans des environnements humides avec capot de protection des entrées résistant aux intempéries (IP55 selon la norme EN60529, IP33C selon la norme EN 54-24). Une grille en aluminium est disponible en option pour éviter toute corrosion (rouille) dans des conditions extrêmes.

Informations importantes concernant l'installation



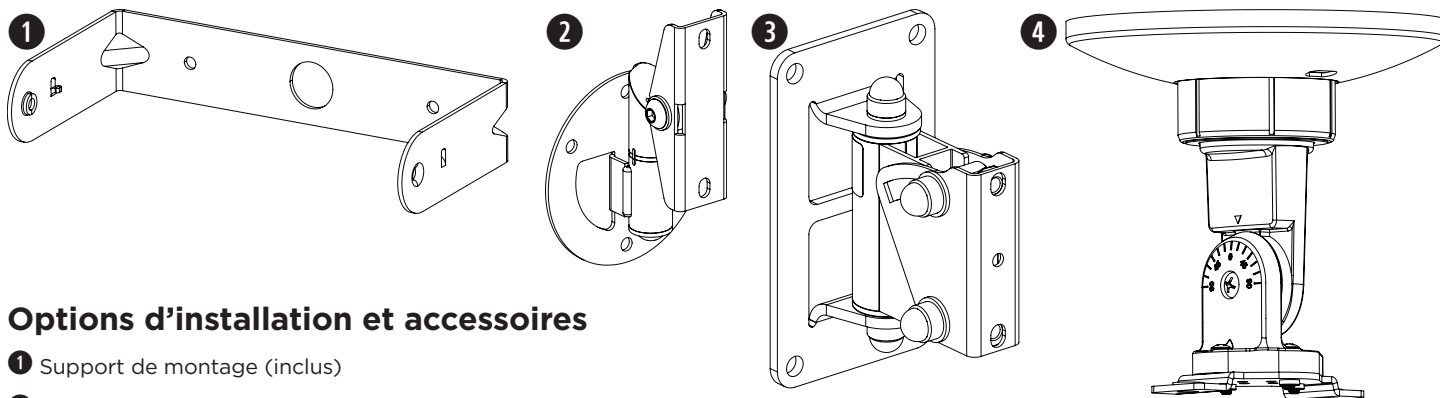
Avant d'installer l'enceinte, veuillez consulter les **Consignes de sécurité importantes** sur la page 16.



Pour les **applications d'alerte en cas d'incendie et d'évacuation**, conforme à l'indice IP33C comme requis par la norme EN 54-24.

Pour les **applications d'installation audio d'usage général**, classée conforme à l'indice IP55 comme requis par la norme EN60529.

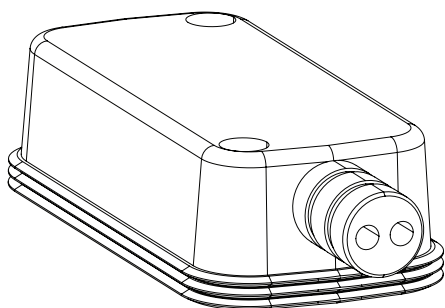
Options d'installation



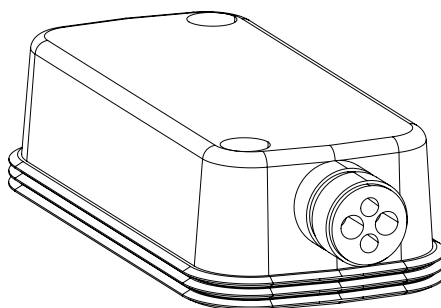
Options d'installation et accessoires

- ① Support de montage (inclus)
- ② Support bi-pivot **DMSBRKT** (en option, usage en intérieur uniquement)
- ③ **MBPWR-50** Support bi-pivot (en option, usage en extérieur)
- ④ Support de montage au plafond **CMBS2** (en option, utilisation en intérieur uniquement)

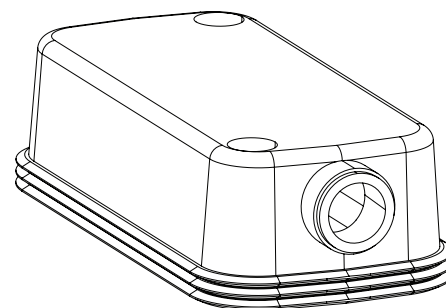
Entrée simple



Entrée et sortie



Ouvert



Préparation du capot de protection des entrées

Le capot de protection des entrées est conçu pour trois scénarios de câblage différents (voir ci-dessus). Pour modifier la configuration du capot de protection des entrées en fonction de votre scénario de câblage, découpez le long de la perforation du conduit en caoutchouc. Utilisez un couplage fileté 1/2 po à 1/2 po et deux raccords de conduit au format standard 3/8 po pour des ouvertures de 1/2 po (voir le schéma ci-dessous).

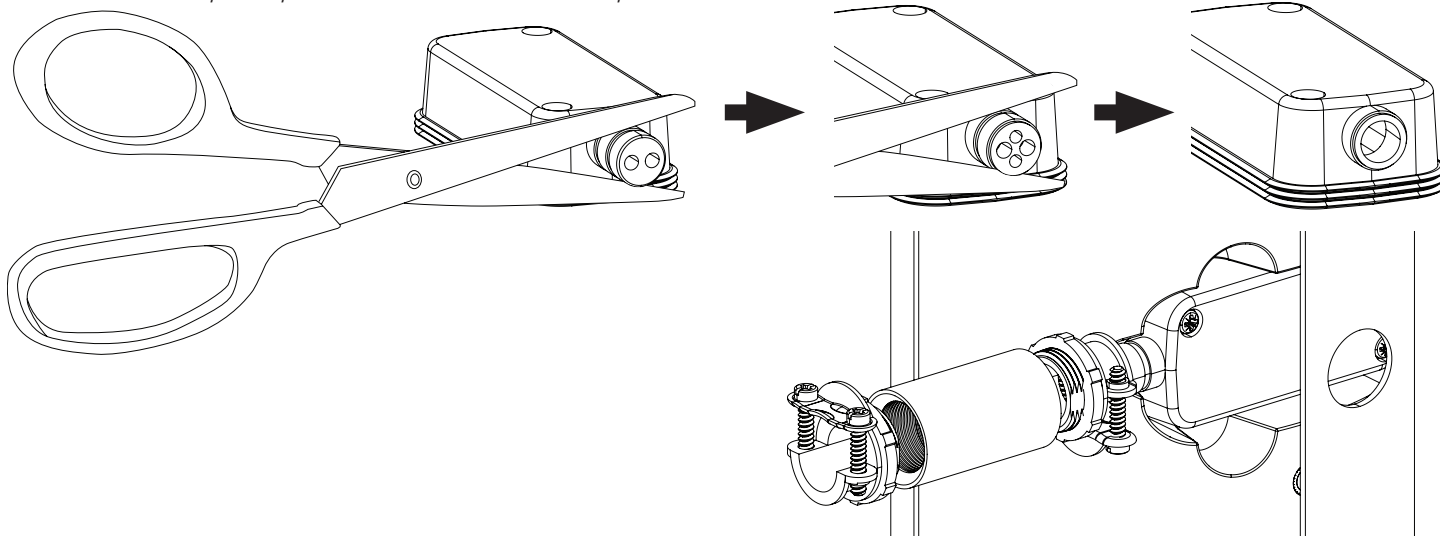


ATTENTION : n'utilisez pas le scénario de câblage ouvert en cas d'installation du capot de protection des entrées avec un conduit flexible.

ATTENTION : pour éviter toute infiltration d'eau, n'installez pas le capot de protection des entrées en position orientée vers le haut.

Remarque : il est de la responsabilité de l'installateur d'assurer une bonne étanchéité pour empêcher l'eau de pénétrer dans le connecteur Euroblock. Utilisez du silicone pour extérieur ou de qualité marine pour assurer la bonne étanchéité de toutes les connexions par câble.

Remarque : les couplages et les conduits flexibles doivent être homologués UL ; ils doivent convenir à l'application et être installés conformément aux prescriptions des autorités locales compétentes.



Câblage de l'enceinte

Épaisseur des câbles

L'enceinte FreeSpace FS2SE est conçue pour fonctionner avec des câbles de section 18 AWG (0,8 mm²) à 14 AWG (2,1 mm²) uniquement.

Diagrammes de connexion

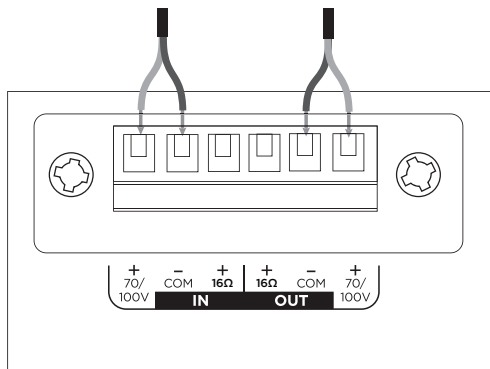
Exposez six millimètres (¼ po) de fil dénudé à relier aux bornes.

Remarque : l'enceinte n'est pas adaptée à une utilisation de câbles haut-parleur rigides. Merci de n'utiliser que du câble flexible pour le raccordement.

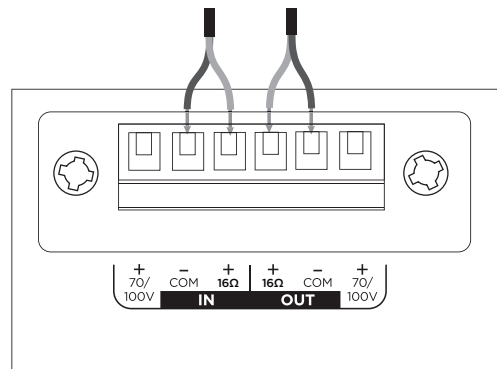
Remarque : La méthode de câblage doit être conforme aux spécifications suivantes :

Canada - CSA C22.1, Canadian Electrical Code, Part I, Safety Standard for Electrical Installations, Section 32 ;

États-Unis - National Electrical Code, NFPA 70 et National Fire Alarm and Signaling Code, NFPA 72.

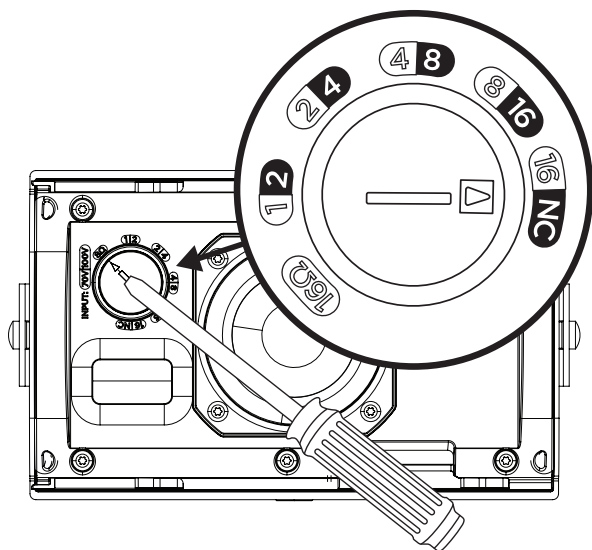


70/100 V



16 Ω

Réglages de l'enceinte



70 V					16 Ω
1 W	2 W	4 W	8 W	16 W*	
2 W	4 W	8 W	16 W	NC**	
100 V					

* Réglage d'usine par défaut

** NC : pas de connexion (ne pas utiliser)

Réglage de la puissance du transformateur

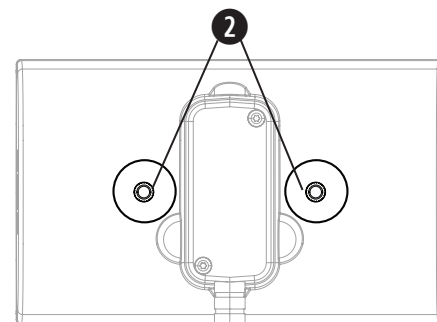
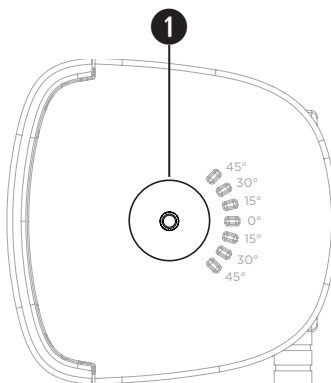
Réglez la prise en la tournant. Utilisez un tournevis à tête plate.

Utilisation d'un câble de sécurité

Le code de l'urbanisme de certaines régions impose l'utilisation d'une méthode secondaire de fixation des enceintes aux structures porteuses pour apporter une sécurité supplémentaire. Pour le montage, choisissez une position, une méthode et des accessoires compatibles avec le code de l'urbanisme local.

Un câble de sécurité peut être fixé à l'enceinte en utilisant l'un des inserts filetés situés à l'arrière ou sur les côtés de l'enceinte. Si vous installez l'enceinte avec le support de fixation livré, utilisez l'un des inserts filetés arrière (2). Si vous installez l'enceinte avec l'un des supports en option (voir page 4), utilisez l'un des inserts filetés latéraux (1). Reportez-vous au schéma ci-contre à droite pour prendre connaissance des points de fixation de sécurité.

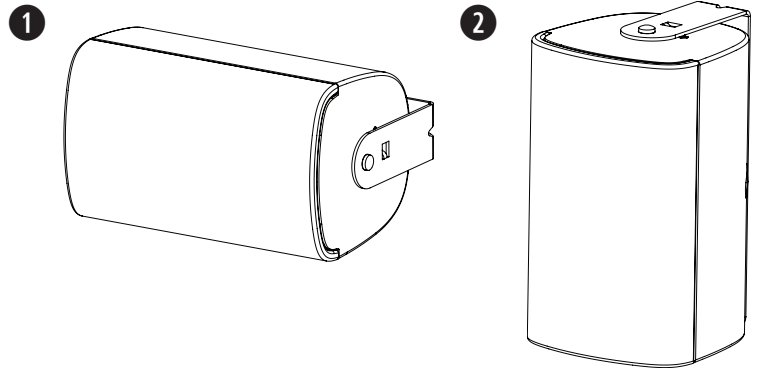
Les inserts latéraux (1) sont dimensionnés pour des vis M5 (non fournies), d'une profondeur de 11 millimètres (0,43 po). Les inserts arrière (2) sont dimensionnés pour des vis M6, d'une profondeur de 12 millimètres (0,47 po).



Orientation de l'enceinte

Choisissez l'orientation de l'enceinte la mieux adaptée à votre installation.

- ❶ Horizontale
- ❷ Verticale

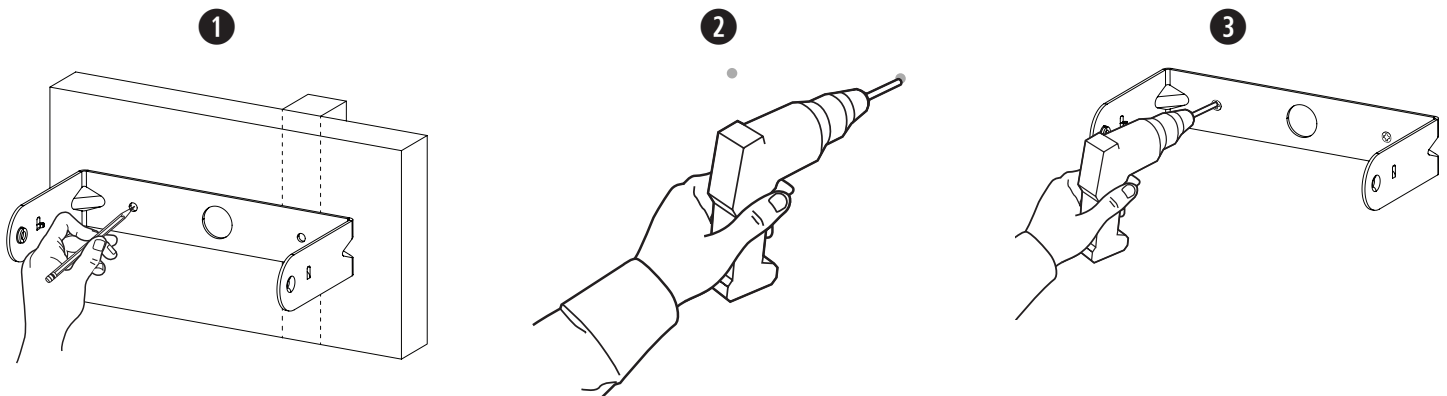


Installation du support

Remarque : lors du choix de l'emplacement de montage, au moins un des points de fixation du support de montage doit être fixé à une structure porteuse. Les points de fixation non fixés à une structure porteuse doivent être fixés à l'aide du matériel approprié pour l'installation. Choisissez des fixations conformes à tous les codes applicables et toutes les exigences locales en matière de bâtiment.

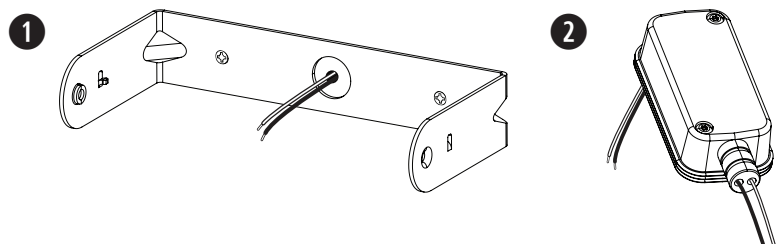
Remarque : choisissez des fixations appropriées pour supporter le poids de l'enceinte (1,63 kg [3,60 lb]).

1. Marquez les emplacements de perçage.
2. Percez deux trous (de taille adaptée aux fixations appropriées) dans le mur.
3. Fixez le support au mur à l'aide de deux vis (non fournies). **Remarque :** Utilisez des vis M5 ou de taille 10-24.



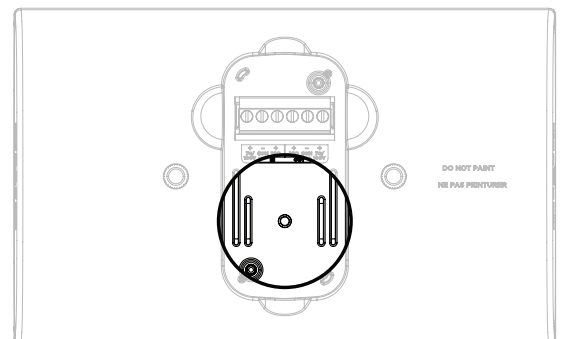
Câblage du connecteur

1. Faites passer les fils dans l'ouverture centrale du support.
2. Insérez les fils par le bas du capot de protection des entrées. Consultez la section **Préparation du capot de protection des entrées** en page 18.
3. Câblez le connecteur. Consultez la section **Câblage de l'enceinte** à la page 19 pour plus d'informations sur le câblage.



Point de fixation du bornier céramique

L'enceinte FreeSpace FS2SE est compatible avec un bornier céramique (accessoire optionnel). Reportez-vous au schéma pour vérifier l'emplacement du point de fixation du bornier céramique. Pour plus d'informations sur le bornier céramique, reportez-vous au guide d'installation du bornier céramique sur le site BoseProfessional.com.

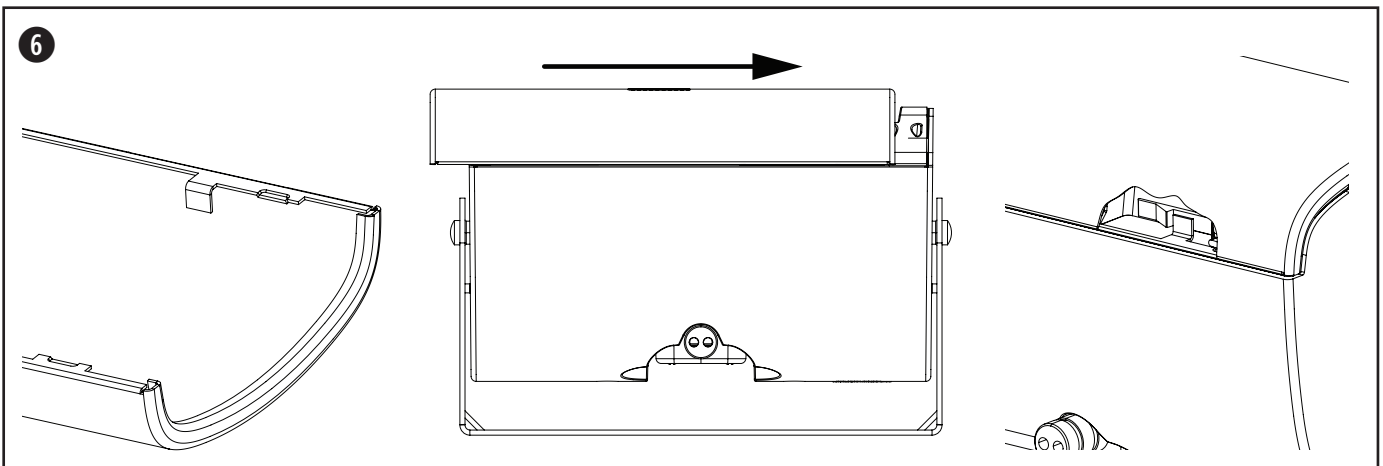
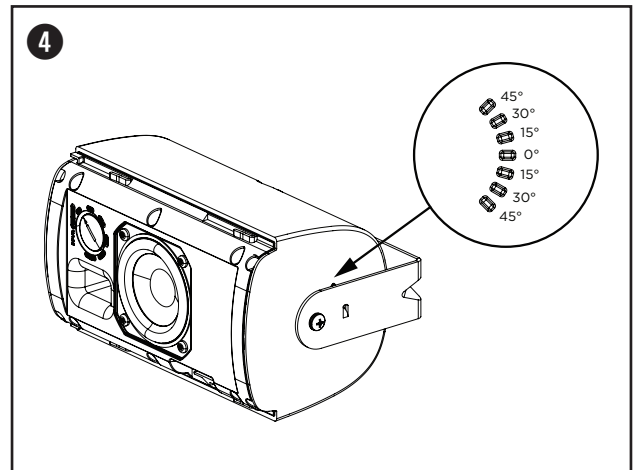
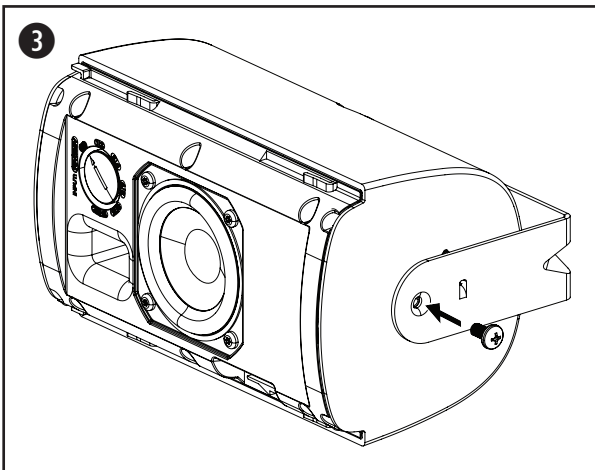
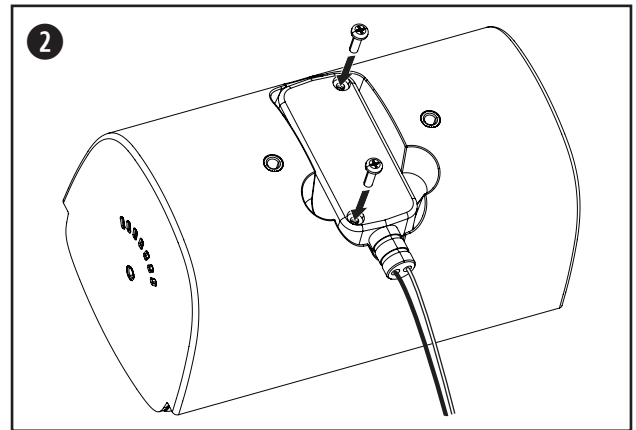
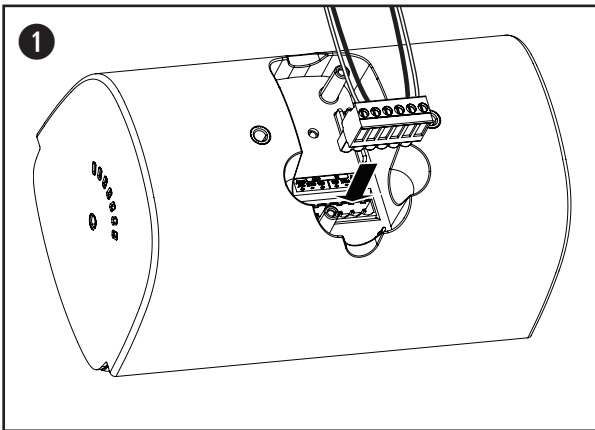


Installation de l'enceinte



AVERTISSEMENT : Si vous ne suivez pas les étapes ci-dessous, vous risquez d'aboutir à un montage non sécurisé susceptible d'induire un risque de chute.

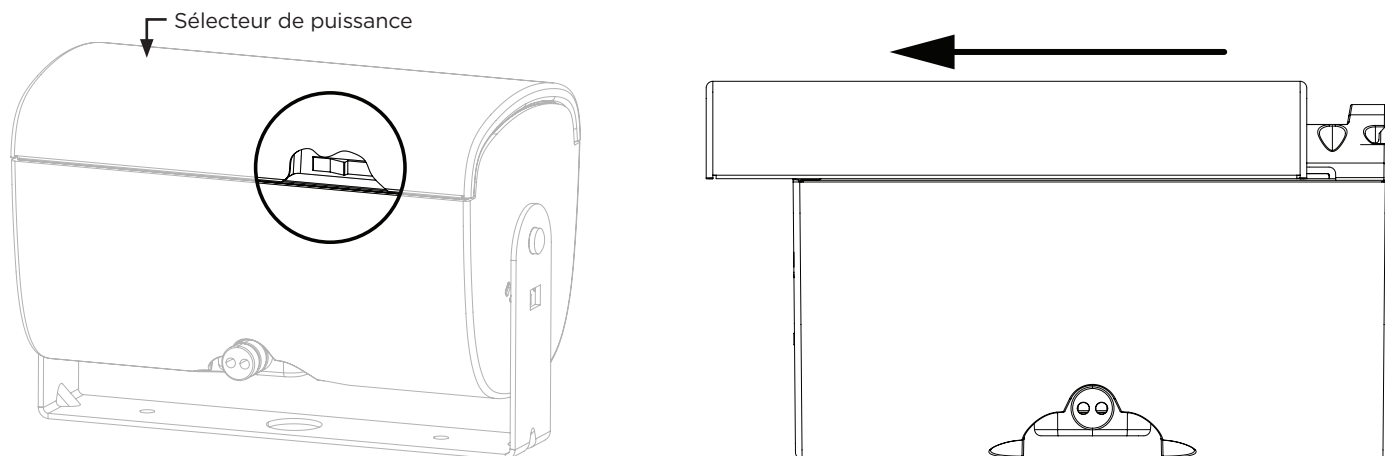
1. Branchez le connecteur câblé à l'enceinte.
2. Placez le capot de protection des entrées sur le connecteur et pressez-le fermement contre l'enceinte pour assurer l'étanchéité. Fixez le capot de protection avec les deux vis pour capot de protection fournies. Consultez la section **Préparation du capot de protection des entrées** en page 22.
3. Maintenez l'enceinte entre les bras du support, puis vissez chaque côté de l'enceinte à l'aide des vis pour support fournies (utilisez les inserts filetés).
4. Au niveau du support de fixation, alignez les goupilles sur les emplacements d'angle convenant à votre installation, puis enclenchez le support sur l'enceinte.
Remarque : L'angle de l'enceinte peut être réglé sur 0° , $\pm 15^\circ$, $\pm 30^\circ$, ou $\pm 45^\circ$.
Remarque : Dans le cas d'une utilisation en extérieur, n'installez pas l'enceinte avec une inclinaison vers le haut.
5. Serrez les vis des deux côtés de l'enceinte afin de l'immobiliser dans le support de fixation. Ne serrez pas les vis trop fort.
Remarque : Avant de fixer la grille, ajustez les réglages de l'enceinte sur la position appropriée pour l'installation. Consultez la section **Réglages de l'enceinte** à la page 23.
6. Repérez où se trouve la grande languette de la grille située à l'intérieur de la grille. Fixez la grille en la faisant glisser. Vérifiez que la grande languette de la grille est bien engagée au niveau du verrouillage de la grille sur le boîtier de l'enceinte.



Démontage de la grille

La grille est fixée à l'enceinte par un dispositif de verrouillage. Pour le déverrouiller, insérez un petit outil dans la perforation de la grille (pas plus de 1,5 millimètre de diamètre). Tout en appuyant sur le verrouillage de la grille, faites glisser la grille vers l'extérieur de l'enceinte afin de l'en extraire.

Remarque : Le verrouillage de la grille se trouve à l'opposé du sélecteur de puissance de l'enceinte. Reportez-vous au schéma ci-dessous pour identifier l'emplacement du verrouillage de la grille.



Réglage du logo

La FreeSpace FS2SE s'accompagne d'un logo Bose préinstallé pour une installation à l'horizontale. Un autre logo est également livré pour une installation verticale. Pour enlever le logo, soulevez-le de la grille d'enceinte puis tirez. Pour mettre en place le logo vertical, au centre de la grille, faites correspondre les encoches situées à l'arrière du logo aux perforations de la grille. Appuyez pour le fixer à la grille de l'enceinte.

Conformité aux réglementations et aux normes de sécurité en vigueur

L'enceinte FreeSpace FS2SE a fait l'objet d'une phase complète de tests : elle est conforme aux spécifications et aux utilisations suivantes :

ANSI/UL 1480-2016, CAN/ULC-S541

Utilisation de signalisation en cas d'incendie, catégorie UL UUMW/UUMW7, dossier S 3241. Numéro de contrôle 42S9.
Produit non destiné à une utilisation avec des systèmes à contrôle en courant continu.

Utilisable en extérieur et dans des environnements humides.

EN 54-24: 2008, Enceinte pour systèmes d'alarme vocale pour la détection d'incendie et pour systèmes d'alarme incendie dans les bâtiments

Type d'environnement : B (applications en extérieur)

Utilisable pour une installation suivant les méthodes de câblage de classe 1, 2 ou 3, conformément à la norme NFPA 70, National Electric Code, 2002, article 640.

Utilisable pour une installation suivant les méthodes de câblage de circuit d'alerte incendie selon la norme NFPA 70, National Electric Code, 2002, article 760.

NFPA 70, National Electric Code, 2002, article 300-22 (c).

NFPA 90-A, 2002, Installation de systèmes de climatisation et de ventilation, Paragraphe 4.3.10.2.6.5.

Directive CEM 89/336/EEC et article 10 (1) de cette même directive, EN50081-1 et EN50082-1, comme indiqué par le marquage CE.

L'enceinte FreeSpace FS2SE a été conçue en conformité avec les exigences définies dans les spécifications réglementaires européennes suivantes relatives aux systèmes utilisés en combinaison :

British Standard Code of Practice BS 5839, partie 8, en cas d'utilisation avec le bornier céramique et le fusible thermique.

Testé conforme à la norme CEI 60268-5.

Angle de couverture nominal (conformément à la norme UL 1480) Vertical : 120°/50° à -3 dB ; 155°/25° à -6 dB
Horizontal : 120°/60° à -3 dB ; 155°/25° à -6 dB

Niveau de pression sonore pour mesure de sensibilité suivant la norme UL, en dBA à 3,1 mètres :

Puissance	CAN/ULC-S541 Canada		Puissance	ANSI/UL 1480-2016 États-Unis		
	Réglage	70 V		100 V	Réglage	70 V
1 W		77,9 dBA	—	1 W	72,4 dBA	—
2 W		80,8 dBA	80,8 dBA	2 W	74,7 dBA	74,9 dBA
4 W		83,3 dBA	83,3 dBA	4 W	77,5 dBA	77,5 dBA
8 W		86,0 dBA	85,9 dBA	8 W	80,2 dBA	80,0 dBA
16 W		87,7 dBA	87,7 dBA	16 W	82,6 dBA	82,5 dBA
16 Ω		87,5 dBA	—	16 Ω	82,6 dBA	—

Les niveaux de pression acoustique indiqués sont conformes à la méthode de signalisation spécifiée UL 1480.

Réponse en fréquences :



Alarme incendie (UL) : 95 Hz à 17000 Hz


Bitte lesen Sie alle Sicherheitshinweise und Gebrauchsanleitungen durch und bewahren Sie sie auf.

Dieses Produkt darf nur von fachkundigen Monteuren installiert werden! Dieses Dokument soll fachkundigen Monteuren grundlegende Installations- und Sicherheitsrichtlinien für dieses Produkt in typischen Festinstallationen bieten. Bitte lesen Sie dieses Dokument und alle Sicherheitshinweise vor der Installation durch.


Versuchen Sie nicht, dieses Produkt selbst zu warten. Lassen Sie jegliche Reparatur- und Wartungsarbeiten nur von autorisierten Servicepartnern, Monteuren, Technikern, Händlern oder Distributoren durchführen. Die Bose Professional Kontaktdaten für Ihr Land finden Sie auf BoseProfessional.com.

1. Lesen Sie die folgenden Anweisungen.
2. Bewahren Sie die Anweisungen auf.
3. Beachten Sie alle Warn- und Sicherheitshinweise.
4. Befolgen Sie alle Anweisungen.
5. Achten Sie darauf, dass die Lüftungsöffnungen nicht blockiert sind. Stellen Sie das Gerät nur in Übereinstimmung mit den Herstelleranweisungen auf.
6. Stellen Sie das Gerät nicht in der Nähe von Wärmequellen auf, wie zum Beispiel Heizkörpern, Wärmespeichern, Öfen oder anderen Geräten (auch Verstärkern), die Wärme erzeugen.
7. Verwenden Sie nur Zubehör-/Anbauteile, die vom Hersteller zugelassen sind.


WARNHINWEISE




Dieses Produkt enthält magnetische Materialien. Wenden Sie sich an Ihren Arzt, wenn Sie wissen möchten, ob dies den Betrieb Ihres implantierten medizinischen Geräts beeinflussen kann.



Enthält kleine Teile, die verschluckt werden können und eine Erstickengefahr darstellen. Nicht geeignet für Kinder unter drei Jahren.

- Der Monteur ist dafür verantwortlich, sicherzustellen, dass das verwendete Trägersystem über ausreichend Windlastwiderstand verfügt, um den geltenden Vorschriften und Standards zu entsprechen.
- Alle Produkte von Bose Professional müssen gemäß den örtlichen und staatlichen Vorschriften sowie gemäß allen Branchenbestimmungen installiert werden. Der Monteur ist dafür verantwortlich, sicherzustellen, dass die Installation der Lautsprecher und der Halterung gemäß allen geltenden Vorschriften durchgeführt wird, einschließlich örtlicher Bauvorschriften und -bestimmungen. Wenden Sie sich vor der Installation dieses Produkts an die zuständige abnehmende Behörde.
- Eine nicht ausreichend gesicherte Montage schwerer Lasten oder deren Aufhängung über Kopf kann zu schweren oder tödlichen Verletzungen und Sachschäden führen. Der Monteur ist dafür verantwortlich, die Zuverlässigkeit der für die Anwendung verwendeten Befestigungstechniken zu prüfen. Nur fachkundige Monteure mit Wissen über sachgemäße Befestigungselemente und sichere Befestigungstechniken sollten Lautsprecher über Kopf installieren.
- Bei der Montage ist auf eine tragfähige Oberfläche zu achten, in deren Nähe sich keine Einrichtungen wie strom- oder wasserführende Leitungen befinden. Stellen Sie sicher, dass die Halterung von einem fachkundigen Monteur und gemäß den örtlichen Bauvorschriften montiert wird.
- Verwenden Sie für die Montage ausschließlich die im Lieferumfang enthaltenen oder von Bose Professional für die Verwendung mit den FreeSpace FS2SE Lautsprechern zugelassene Hardware und entsprechende Zubehörteile. Befestigungselemente für das Anbringen des Lautsprechers auf der Montagefläche sind nicht im Lieferumfang enthalten. Informationen zu kompatiblen Zubehörteilen finden Sie in den technischen Datenblättern auf BoseProfessional.com.
- Halten Sie das Produkt von Feuer und Wärmequellen fern. Stellen Sie keine brennenden Kerzen oder ähnliches auf das Gerät oder in die Nähe des Geräts.
- Nehmen Sie keine nicht genehmigten Änderungen an diesem Produkt vor.
- Die FreeSpace FS2SE Wandhalterung ist ausschließlich für die Verwendung mit dem Lautsprechermodell FS2SE geeignet.
- Stellen Sie sicher, dass der Lautsprecher und die Montagekomponenten nicht mit chemischen Substanzen in Berührung kommen, die nicht von Bose Professional zugelassen sind. Dies umfasst unter anderem Schmiermittel, Reinigungsmittel, Kontaktspray oder Lösungsmittel auf Kohlenwasserstoffbasis. Der Kontakt mit solchen Mitteln kann zu Rissen im Kunststoffmaterial und infolgedessen zum Herunterfallen führen.
- Die Lautsprecher nur mit einem weichen, trockenen Tuch reinigen. Verwenden Sie zur Reinigung niemals Seife, Spülmittel, Mineralöl, Alkohol oder sonstige Reinigungsmittel oder Chemikalien.

Leistungsdaten:

Eingangsspannung: 70 V/100 V

Impedanz: 16 Ω, 16 W

Nennleistung: (70 V): 1 W, 2 W, 4 W, 8 W, 16 W; (100 V): 2 W, 4 W, 8 W, 16 W

Gesetzliche Hinweise

Werkseitig aufgebrauchte Oberflächen dürfen nicht lackiert oder verändert werden.



Dieses Produkt entspricht allen Anforderungen der geltenden EU-Richtlinien. Die vollständige Konformitätserklärung ist einsehbar unter: www.Bose.com/compliance.



Dieses Produkt erfüllt alle geltenden Vorschriften zur elektromagnetischen Verträglichkeit 2016 und alle anderen zutreffenden UK-Richtlinien. Die vollständige Konformitätserklärung ist einsehbar unter www.Bose.com/compliance



Dieses Symbol bedeutet, dass das Produkt nicht mit dem Hausmüll entsorgt werden darf, sondern bei einer geeigneten Sammelstelle für das Recycling abgegeben werden muss. Die ordnungsgemäße Entsorgung und das Recycling tragen dazu bei, die natürlichen Ressourcen, die Gesundheit und die Umwelt zu schützen. Weitere Informationen zur Entsorgung und zum Recycling dieses Produkts erhalten Sie von Ihrer zuständigen Kommune, Ihrem Entsorgungsdienst oder dem Geschäft, in dem Sie dieses Produkt gekauft haben.

Herstellungsdatum: Die achte Ziffer in der Seriennummer gibt das Herstellungsjahr an: „7“ ist 2007 oder 2017.

Importeur aus China: Bose Electronics (Shanghai) Company Limited, Part C, Plant 9, No. 353 North Riyang Road, China (Shanghai) Pilot Free Trade Zone

Importeur aus der EU: Bose Products B.V., Gorslaan 60, 1441 RG Purmerend, Niederlande

Importeur aus Mexiko: Bose de México, S. de R.L. de C.V., Paseo de las Palmas 405-204, Lomas de Chapultepec, 11000 México, D.F. Importeur- und Serviceinformationen erhalten Sie unter: +5255 (5202) 3545

Importeur aus Taiwan: Bose Taiwan Branch, 9F-A1, No. 10, Section 3, Minsheng East Road, Taipei City 104, Taiwan. Tel.: +886-2-2514 7676

UK-Import: Bose Limited, Bose House, Quayside Chatham Maritime, Chatham, Kent, ME4 4QZ, Vereinigtes Königreich

Bose ist eine Marke der Bose Corporation.

FreeSpace ist eine Marke der Transom Post OpCo LLC.

Bose Corporation, Framingham, MA 01701, U.S.A. 1-877-230-5639

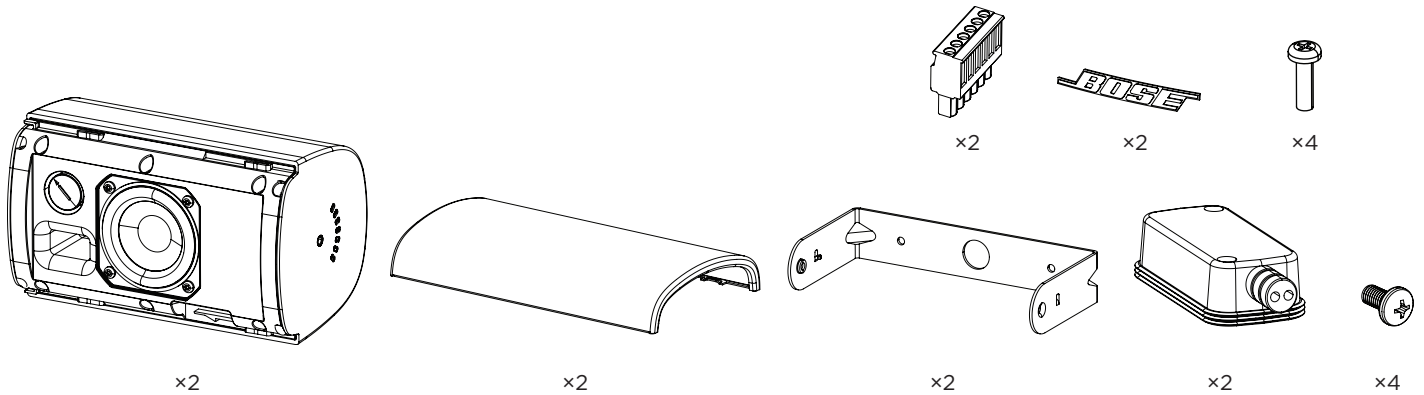
©2023 Transom Post OpCo LLC. Dieses Dokument darf ohne vorherige schriftliche Genehmigung weder ganz noch teilweise reproduziert, verändert, vertrieben oder in anderer Weise verwendet werden.

Garantiehinweise

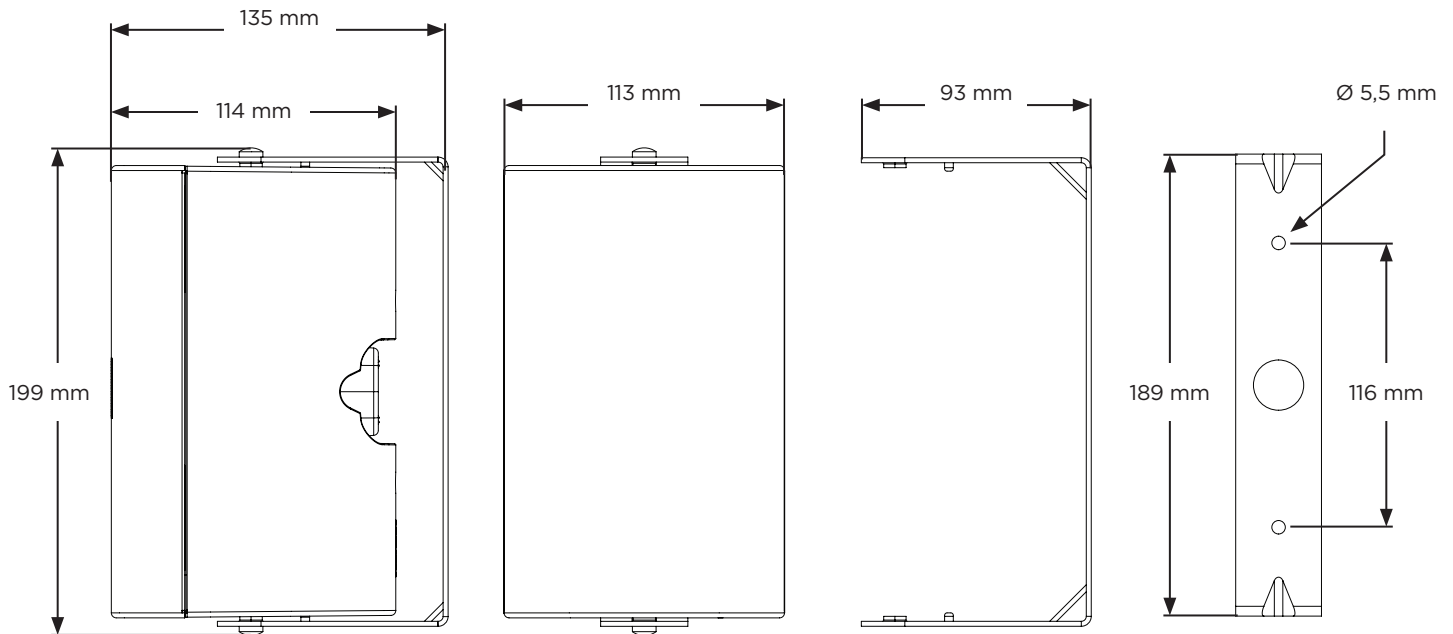
Für dieses Produkt gilt eine eingeschränkte Garantie.

Informationen zur Garantie finden Sie unter BoseProfessional.com/Warranty.

Verpackungsinhalt



Produktabmessungen



Technische Spezifikationen

Weitere technische Spezifikationen können Sie dem technischen Datenblatt für die FreeSpace FS2SE Lautsprecher auf BoseProfessional.com entnehmen. Die Spezifikationen gemäß EN 54-24 (einschließlich erforderlicher externer EQ) finden Sie in den EN 54-24-Zertifizierungsbestimmungen für den FreeSpace FS2SE Lautsprecher (AM857612 Rev. 01) unter BoseProfessional.com.

Material, Abmessungen, Gewicht	
Produktabmessungen	Höhe: 199 mm
	Breite: 113 mm
	Tiefe: 135 mm
Nettogewicht - Lautsprecher mit Abdeckgitter und Halterung (1 Stück)	1,63 kg
Versandgewicht (2 Stück)	4,17 kg
Umgebungsbedingungen	Geeignet für die Verwendung im Freien unter feuchten Bedingungen (IP55 gemäß EN60529; IP33C gemäß EN 54-24), wetterbeständige Abdeckung der Anschlüsse im Lieferumfang enthalten. Eine Aluminium-Frontabdeckung zum Schutz vor Rost unter widrigen Witterungsbedingungen ist als optionales Zubehör erhältlich.

Wichtige Installationshinweise

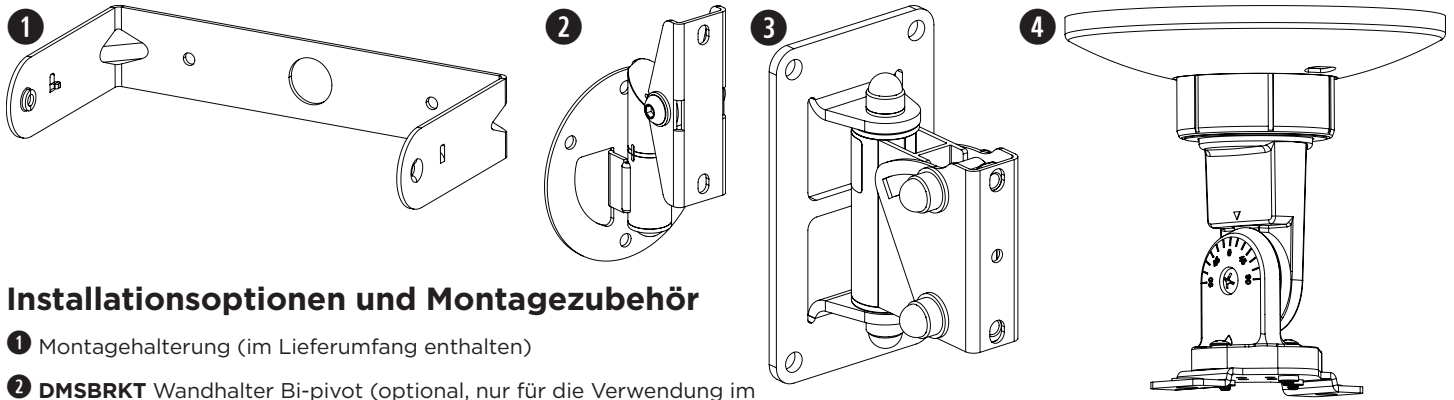


Bitte lesen Sie vor der Installation des Lautsprechers den Abschnitt **Wichtige Sicherheitshinweise** auf Seite 23.



Geeignet für **Branderkennungs- und Brandmeldesysteme** sowie für den Einsatz im Außenbereich (Schutzart IP33C) gemäß EN 54-24. Geeignet für **allgemeine Audioinstallationen** sowie für den Einsatz im Außenbereich (Schutzart IP55) gemäß EN60529.

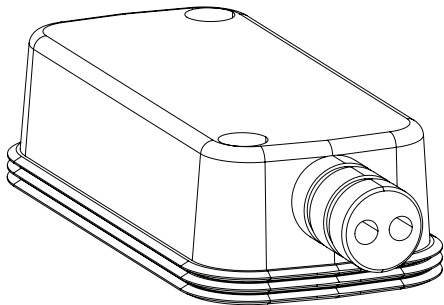
Installationsoptionen



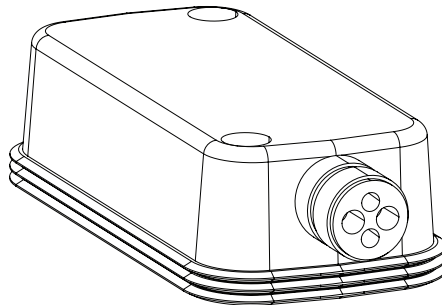
Installationsoptionen und Montagezubehör

- 1 Montagehalterung (im Lieferumfang enthalten)
- 2 **DMSBRKT** Wandhalter Bi-pivot (optional, nur für die Verwendung im Innenbereich)
- 3 **WBPWR-50** Wandhalter Bi-pivot (optional, für die Verwendung im Außenbereich)
- 4 **CMBS2** Deckenhalterung (optional, nur für die Verwendung im Innenbereich)

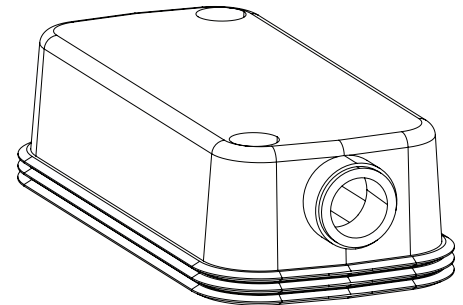
Einzelanschluss



Ein- und Ausgang



Große Öffnung



Vorbereitung der Abdeckung der Anschlüsse

Die Abdeckung der Anschlüsse ist für drei verschiedene Anschlussarten geeignet (siehe oben). Um die Abdeckung an die gewünschte Anschlussart anzupassen, schneiden Sie die Gummiummantelung entlang der entsprechenden Perforation ab. Verwenden Sie eine 12 mm-Gewindemuffe und zwei 3/8 Zoll-Kabelverschraubungen in Handelsgröße für 12 mm-Anschlüsse (siehe Abbildung unten).

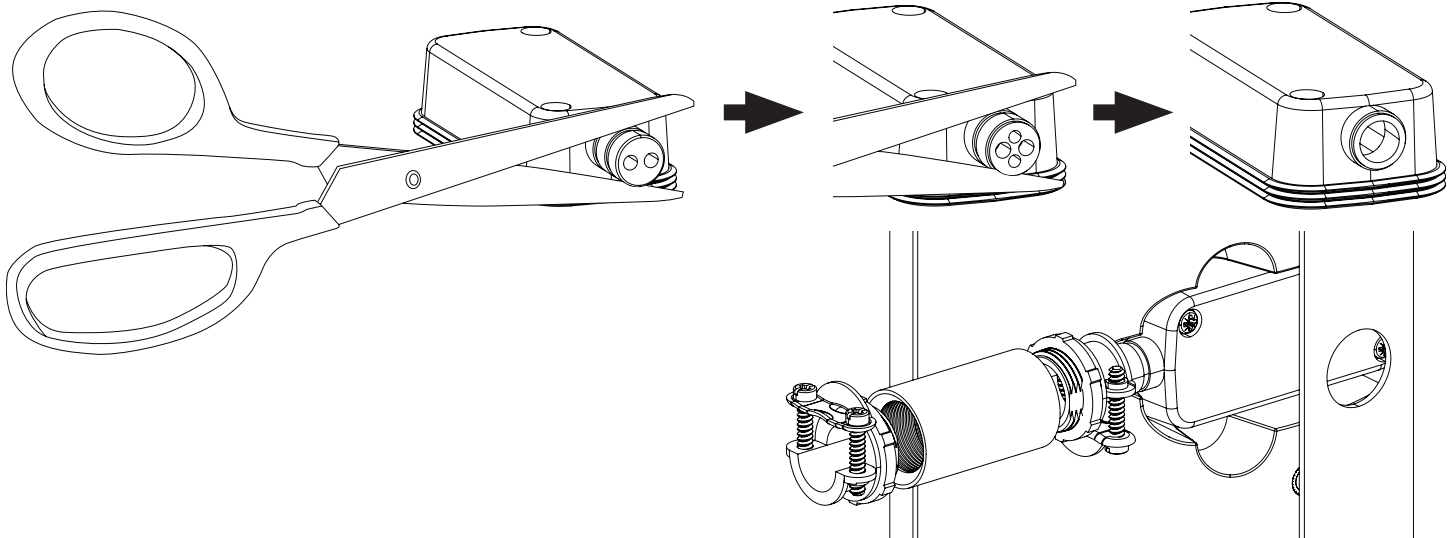


ACHTUNG: Verwenden Sie nicht die Anschlussart, bei der die große Öffnung genutzt wird, wenn Sie die Abdeckung der Anschlüsse mit einem flexiblen Mantel montieren.

ACHTUNG: Um das Eindringen von Wasser zu verhindern, montieren Sie die Abdeckung der Anschlüsse nicht nach oben gerichtet.

Hinweis: Der Monteur ist dafür verantwortlich, die Abdeckung so abzudichten, dass der Euroblock-Anschluss vor eindringendem Wasser geschützt ist. Verwenden Sie Silikon für den Außenbereich oder Schiffsbau, um eine gründliche Abdichtung der Kabelverbindungen sicherzustellen.

Hinweis: Flexible Mantel und Muffen müssen UL-gelistet und für die vorgesehene Anwendung geeignet sein sowie gemäß den Bestimmungen der zuständigen abnehmenden Behörde installiert werden.



Verkabeln des Lautsprechers

Kabeldurchmesser

Der FreeSpace FS2SE Lautsprecher wurde für den ausschließlichen Gebrauch mit Kabeln der Größen 18 AWG (0,8 mm²) bis 14 AWG (2,1 mm²) entwickelt.

Anschlussdiagramme

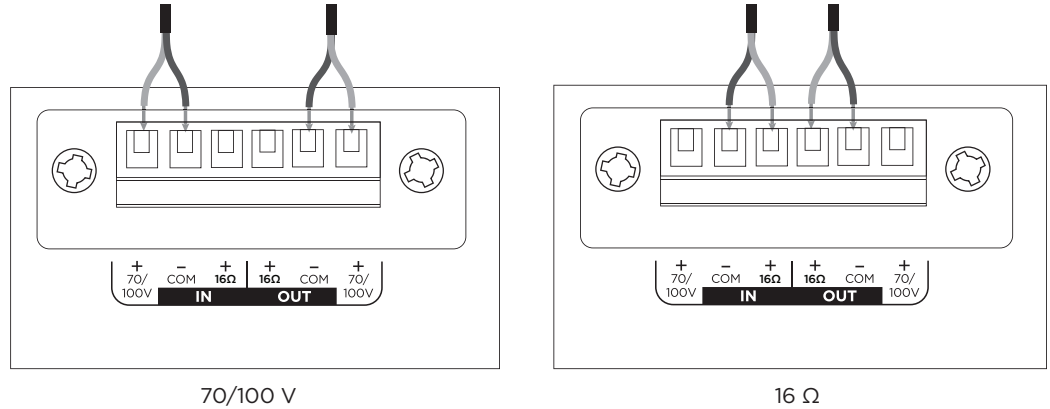
Isolieren Sie einen Teil des Drahtes (6 mm) für den Anschluss an die Anschlüsse ab.

Hinweis: Der Lautsprecher ist nicht für die Verwendung mit einem Kabelschutzrohr geeignet. Der Lautsprecher ist für Kabel mit flexiblem Mantel oder Einzeldrähte vorgesehen.

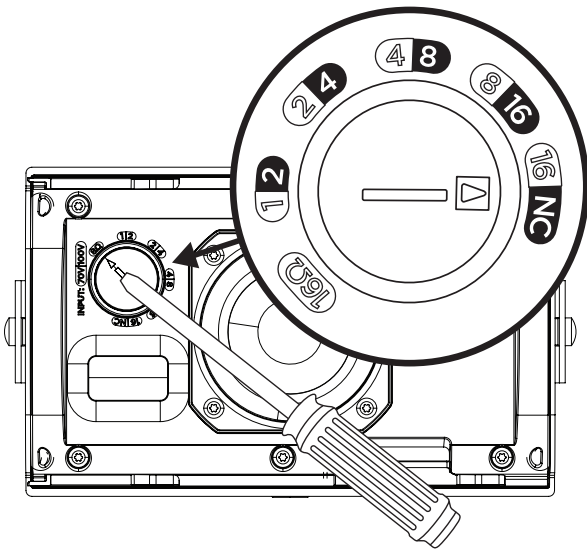
Hinweis: Die Verdrahtung muss den folgenden Vorschriften entsprechen:

In Kanada: CSA C22.1, Canadian Electrical Code, Teil I, Safety Standard for Electrical Installations, Abschnitt 32

In den USA: National Electrical Code, NFPA 70 und National Fire Alarm and Signaling Code, NFPA 72



Lautsprechereinstellungen



70 V					
1 W	2 W	4 W	8 W	16 W*	16 Ω
2 W	4 W	8 W	16 W	KA**	
100 V					

* Werkseinstellung

** KA: Kein Anschluss (nicht verwenden)

Einstellen des Leistungsabgriffes am Übertrager

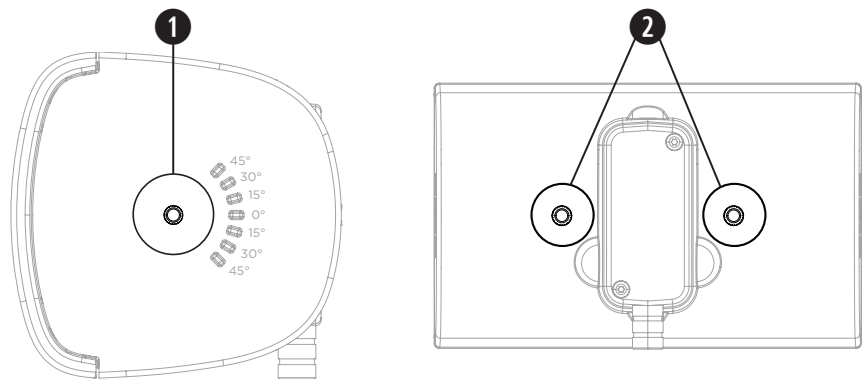
Stellen Sie die Leistungsabgabe durch Drehen ein. Verwenden Sie dafür einen Schlitzschraubendreher.

Verwendung eines Sicherungsseils

Einige Bauvorschriften schreiben als Sicherheitsvorkehrung vor, den Lautsprecher an einer tragenden Konstruktion zusätzlich abzusichern. Wählen Sie eine Montageposition und -methode sowie Werkzeuge, die den örtlichen Bauvorschriften entsprechen.

Ein Sicherungsseil kann an einem der Einsätze an der Rückseite oder an den Seiten des Lautsprechergehäuses angebracht werden. Wenn Sie den Lautsprecher mithilfe der mitgelieferten Halterung montieren, verwenden Sie einen der Gewindeeinsätze an der Rückseite (2). Wenn Sie den Lautsprecher mit einer der optionalen Halterungen montieren (siehe Seite 4), verwenden Sie einen der seitlichen Gewindeeinsätze (1). Befestigungspunkte für Sicherheitsaufhängungen können Sie dem Diagramm auf der rechten Seite entnehmen.

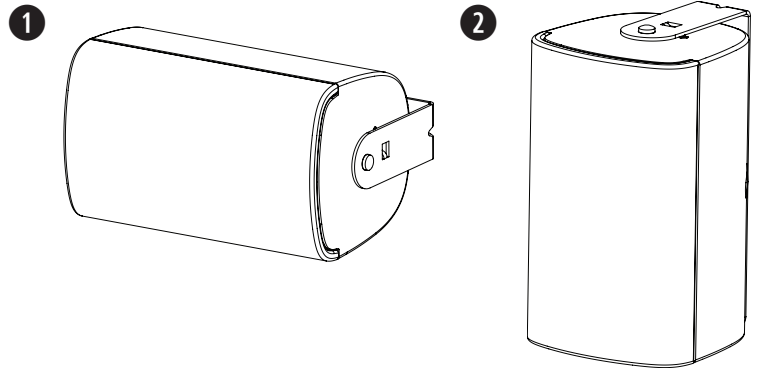
Die seitlichen Einsätze (1) sind für M5-Schrauben (nicht im Lieferumfang enthalten) mit einer Tiefe von 11 Millimetern ausgelegt. Die Einsätze an der Rückseite (2) sind für M6-Schrauben mit einer Tiefe von 12 Millimetern ausgelegt.



Ausrichtung des Lautsprechers

Wählen Sie die Ausrichtung des Lautsprechers, die für Ihre Installation am besten geeignet ist.

- ① Horizontal
- ② Vertikal

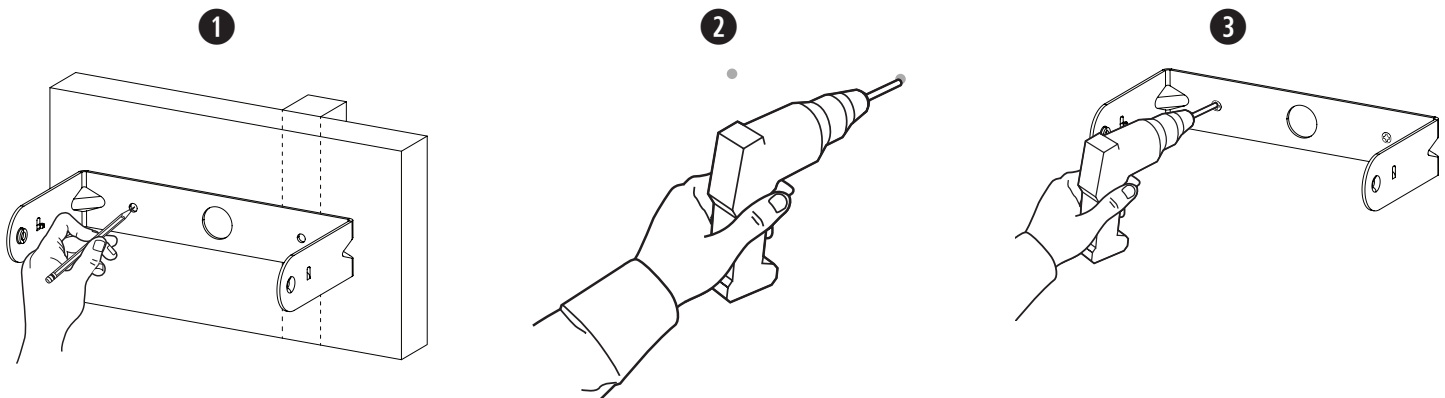


Montage der Halterung

Hinweis: Beachten Sie bei der Auswahl eines Montageorts, dass mindestens einer der Befestigungspunkte der Montagehalterungen an einer tragenden Konstruktion angebracht sein muss. Befestigungspunkte, die nicht an einer tragenden Konstruktion angebracht sind, müssen mit für die Montage geeigneten Befestigungselementen angebracht werden. Verwenden Sie Sicherungselemente, die den örtlichen Bauvorschriften und Anforderungen entsprechen.

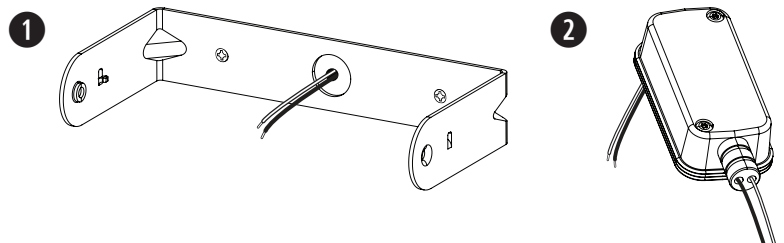
Hinweis: Achten Sie darauf, dass die Sicherungselemente für das Gewicht des Lautsprechers (1,63 kg) geeignet sind.

1. Markieren Sie die Position der Bohrlöcher.
2. Bohren Sie zwei Löcher (in der Größe passender Sicherungselemente) in die Wand.
3. Befestigen Sie die Halterung mit zwei Schrauben (nicht im Lieferumfang enthalten) an der Wand. **Hinweis:** Verwenden Sie M5-Schrauben oder Schrauben der Größe 10 bis 24.



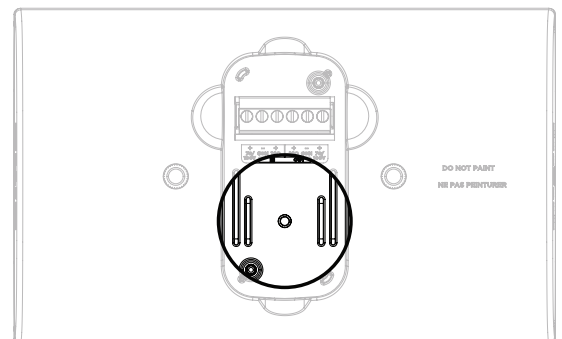
Verkabeln des Anschlusses

1. Führen Sie die Kabel durch das mittige Loch in der Halterung.
2. Führen Sie die Kabel durch die Unterseite der Abdeckung der Anschlüsse. Siehe **Vorbereitung der Abdeckung der Anschlüsse** auf Seite 25.
3. Verkabeln Sie den Anschluss. Weitere Informationen zur Verkabelung finden Sie unter **Verkabeln des Lautsprechers** auf Seite 26.



Verankerungspunkt für Keramikanschluss

Die FreeSpace FS2SE Lautsprecher sind mit einem optionalen Keramikanschluss kompatibel. Die Position der Verankerungspunkte für einen Keramikanschluss ist in der Abbildung dargestellt. Weitere Informationen zum Keramikanschluss finden Sie in der Installationsanleitung für Keramikanschlüsse unter **BoseProfessional.com**.



Installieren des Lautsprechers

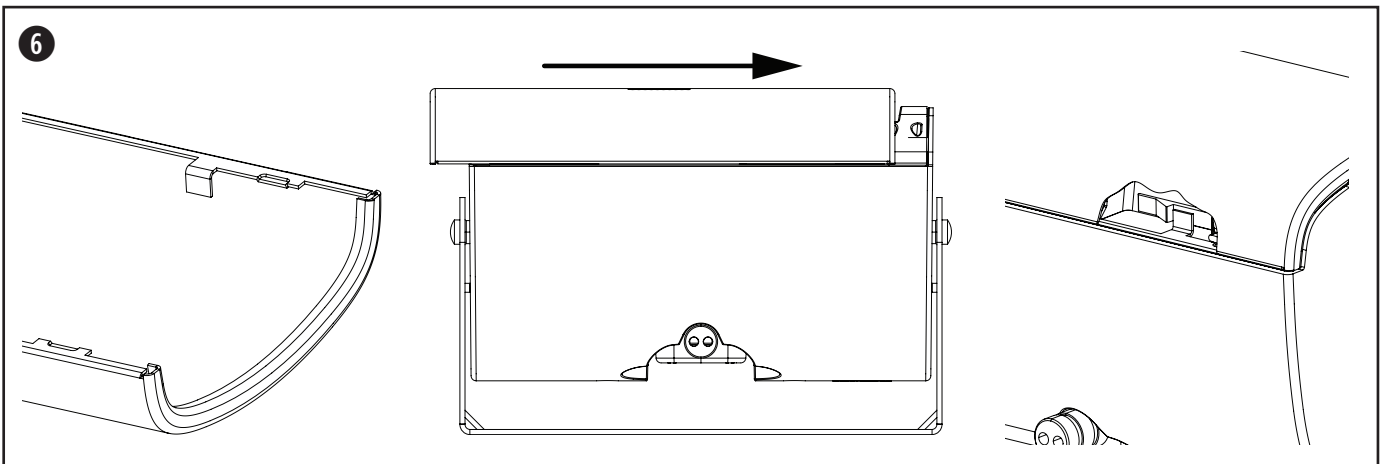
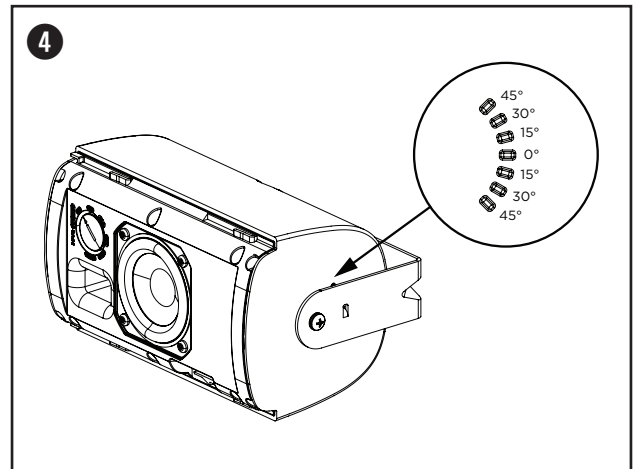
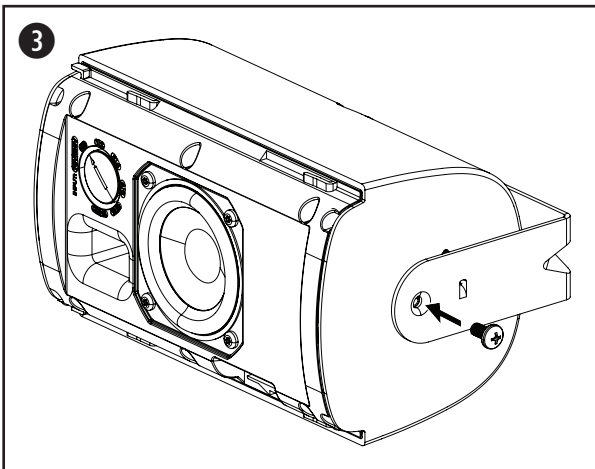
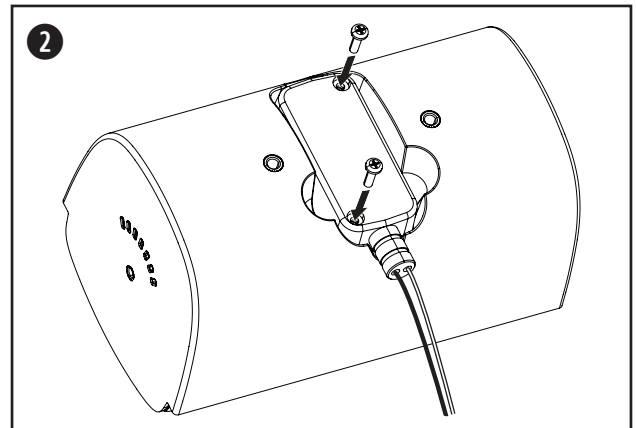
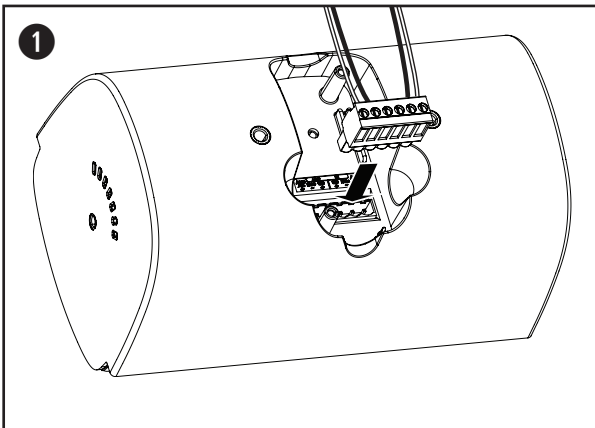


WICHTIGER HINWEIS: Die Nichtbeachtung der unten aufgeführten Schritte kann zu einer unsicheren Befestigung sowie zum Herunterfallen des Lautsprechers führen.

1. Befestigen Sie den verkabelten Anschlussstecker am Lautsprecher.
2. Positionieren Sie die Abdeckung der Anschlüsse über den Anschlüssen und drücken Sie sie fest auf den Lautsprecher, um die Abdeckung abzudichten. Befestigen Sie die Abdeckung der Anschlüsse mit den beiden dafür vorgesehenen Schrauben, die im Lieferumfang enthalten sind. Siehe **Vorbereitung der Abdeckung der Anschlüsse** auf Seite 25.
3. Positionieren Sie den Lautsprecher zwischen den zwei Halterungsarmen und setzen Sie jeweils eine der mitgelieferten Halterungsschrauben mithilfe der Gewindeinsätze in die dafür vorgesehenen Löcher an den Seiten des Lautsprechers ein.
4. Richten Sie die Feststellstifte an der Montagehalterung je nach gewünschtem Neigungswinkel aus und lassen Sie die Halterung in den Lautsprecher einrasten.
Hinweis: Der Neigungswinkel des Lautsprechers kann 0° , $\pm 15^\circ$, $\pm 30^\circ$ oder $\pm 45^\circ$ betragen.
Hinweis: Bei einer Montage im Außenbereich darf der Lautsprecher nicht nach oben geneigt werden.
5. Ziehen Sie die Schrauben auf beiden Seiten des Lautsprechers an, um den Lautsprecher an der Halterung zu befestigen. Vermeiden Sie ein Überdrehen der Schrauben.

Hinweis: Passen Sie vor dem Anbringen der Frontabdeckung die Einstellungen der Übertragerabgriffe an die für die Installation geeignete Einstellung an. Siehe **Lautsprechereinstellungen** auf Seite 26.

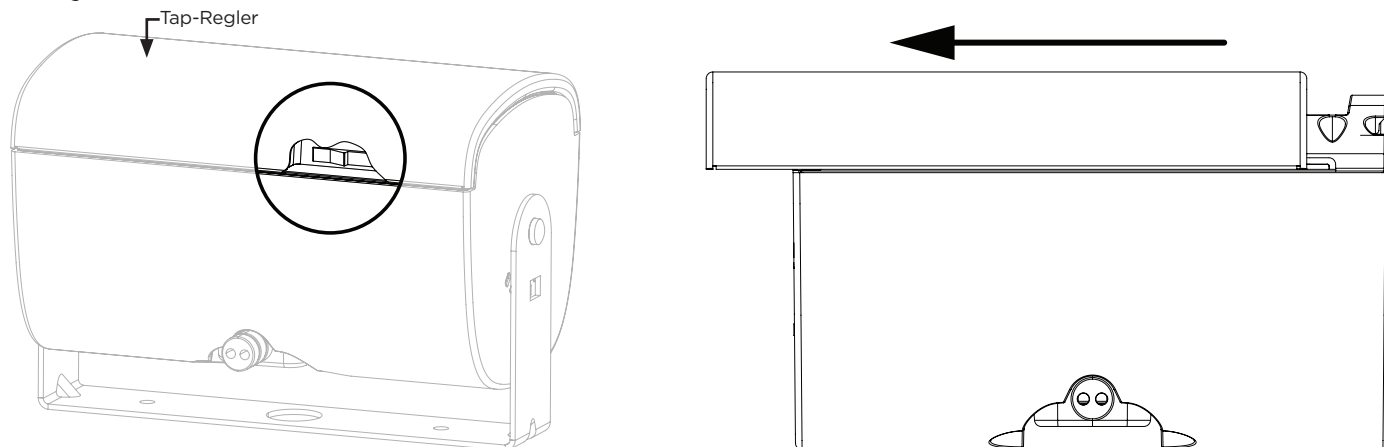
6. Suchen Sie die verlängerte Abdeckungslasche auf der Innenseite der Frontabdeckung. Befestigen Sie die Frontabdeckung, indem Sie sie in die richtige Position schieben. Vergewissern Sie sich, dass die verlängerte Abdeckungslasche an der Sperrvorrichtung der Frontabdeckung am Lautsprechergehäuse befestigt ist.



Entfernen der Frontabdeckung

Die Frontabdeckung ist durch eine Sperrvorrichtung am Lautsprecher befestigt. Lösen Sie die Sperrvorrichtung, indem Sie ein kleines Werkzeug (mit einem Durchmesser von maximal 1,5 mm) durch die Perforation der Abdeckung einführen. Drücken Sie die Sperrvorrichtung herunter und schieben Sie gleichzeitig die Frontabdeckung vom Lautsprecher weg, um sie zu lösen.

Hinweis: Die Sperrvorrichtung der Frontabdeckung befindet sich gegenüber des Tap-Reglers am Lautsprecher. Die Position der Sperrvorrichtung können Sie der Abbildung unten entnehmen.



Anpassen des Logos

Der FreeSpace FS2SE Lautsprecher wird mit einem vorinstallierten Bose Logo für die horizontale Montage geliefert. Im Lieferumfang ist darüber hinaus ein separates Logo für vertikale Installationen enthalten. Um das bereits angebrachte Logo zu entfernen, heben Sie es von der Lautsprecherabdeckung ab. Befestigen Sie das vertikale Logo, indem Sie zunächst den Mittelpunkt der Abdeckung ermitteln und anschließend die Kerben an der Rückseite des Logos an der Perforation ausrichten. Drücken Sie auf das Logo, um es an der Frontabdeckung des Lautsprechers zu befestigen.

Sicherheitshinweise und gesetzliche Bestimmungen

Der FreeSpace FS2SE Lautsprecher hat die Testreihen bestanden und entspricht den folgenden Normen und Einsatzanforderungen:

Zulassung nach ANSI/UL 1480-2016, CAN/ULC-S541

Einsatz für Notrufdurchsagen im Brandfall - UL-Kategorie UUMW/UUMW7, Aktenzeichen S 3241, Kontrollnummer 42S9.
Nicht zur Verwendung mit DC-überwachten Systemen geeignet.

Geeignet für die Verwendung in Außenbereichen unter feuchten Bedingungen.

EN 54-24: 2008, Lautsprecher für Sprachalarmanlagen bei Branderkennungs- und Brandmeldesystemen in Gebäuden

Empfohlene Umgebung: B (Verwendung in Außenbereichen)

Geeignet für die Installation mit Verkabelungsverfahren der Klasse 1, Klasse 2 oder Klasse 3 gemäß NFPA 70, National Electric Code, 2002, Artikel 640.

Geeignet für den Einsatz mit Verkabelungsmethoden für Feueralarmschaltkreise nach NFPA 70, National Electric Code, 2002, Artikel 760.

NFPA 70, National Electric Code, 2002, Artikel 300-22 (c).

NFPA 90-A, 2002, Installation of Air Conditioning and Ventilation Systems, Paragraph 4.3.10.2.6.5.

EMC-Richtlinie 89/336/EEC und Artikel 10 (1) der Richtlinie, EN50081-1 und EN50082-1 gemäß CE-Prüfzeichen.

Der FreeSpace FS2SE Lautsprecher wurde gemäß den Anforderungen der folgenden EU-Normen für kombinierte Systeme entwickelt:

British Standard Code of Practice BS 5839, Teil 8, bei Verwendung mit Keramikanschluss und Thermosicherung.

Getestet gemäß IEC60268-5.

Abstrahlwinkel (gemäß UL 1480) Vertikal: 120°/50° bei -3 dB; 155°/25° bei -6 dB
Horizontal: 120°/60° bei -3 dB; 155°/25° bei -6 dB

UL-Empfindlichkeit Leistungsband Schalldruckpegel dBA bei 3,1 m:

Leistung	CAN/ULC-S541 Kanada	
	70 V	100 V
1 W	77,9 dBA	—
2 W	80,8 dBA	80,8 dBA
4 W	83,3 dBA	83,3 dBA
8 W	86,0 dBA	85,9 dBA
16 W	87,7 dBA	87,7 dBA
16 Ω	87,5 dBA	—

Leistung	ANSI/UL 1480-2016 USA	
	70 V	100 V
1 W	72,4 dBA	—
2 W	74,7 dBA	74,9 dBA
4 W	77,5 dBA	77,5 dBA
8 W	80,2 dBA	80,0 dBA
16 W	82,6 dBA	82,5 dBA
16 Ω	82,6 dBA	—

Die angegebenen Schalldruckpegel entsprechen der Berichtsmethode gemäß UL 1480.

Frequenzgang:

Feueralarm (UL): 95 Hz bis 17000 Hz

Leggere e conservare tutte le istruzioni per la sicurezza e per l'uso.

Questo prodotto deve essere installato esclusivamente da installatori professionisti. Il presente documento ha lo scopo di fornire agli installatori professionisti le istruzioni di base per l'installazione di questo prodotto in tipici sistemi da installazione fissa. Prima dell'installazione, leggere questo documento e le avvertenze sulla sicurezza.

Non tentare di riparare il prodotto autonomamente. Per tutti gli interventi di assistenza, rivolgeti ai centri assistenza, agli installatori, ai tecnici, ai rivenditori o ai distributori autorizzati. Per contattare Bose Professional o per trovare il rivenditore o distributore più vicino, visita **BoseProfessional.com**.

1. Leggere queste istruzioni.
2. Conservare queste istruzioni.
3. Prestare attenzione a tutte le avvertenze.
4. Seguire tutte le istruzioni.
5. Non ostruire le aperture di ventilazione. Installare il prodotto in conformità con le istruzioni fornite dal produttore.
6. Non installare in prossimità di fonti di calore, quali termosifoni, radiatori, stufe o altri apparecchi (compresi gli amplificatori) che generino calore.
7. Utilizzare solo sistemi di fissaggio/accessori specificati dal produttore.

AVVISI/AVVERTENZE

Questo prodotto contiene materiale magnetico. Rivolgersi al proprio medico per eventuali domande sui possibili effetti del prodotto sui dispositivi medici impiantati nel corpo umano.

Contiene pezzi di piccole dimensioni che possono rappresentare un pericolo di soffocamento. Non adatto ai bambini di età inferiore a 3 anni.

- È responsabilità dell'installatore utilizzare un sistema di supporto con sufficiente resistenza al vento per ottemperare alle norme e agli standard vigenti.
- Tutti i prodotti Bose Professional devono essere installati in conformità con gli standard locali, statali, federali e di settore. È responsabilità dell'installatore assicurare che l'installazione dei diffusori e del sistema di montaggio venga eseguita in conformità con le normative vigenti, compresi i regolamenti edilizi locali. Prima di installare il prodotto, chiedere informazioni all'autorità locale preposta.
- L'installazione o la sospensione non sicura di carichi pesanti può causare gravi lesioni alle persone e danni materiali. È responsabilità dell'installatore valutare l'affidabilità del metodo di installazione utilizzato per l'applicazione specifica. Solo installatori professionisti esperti possono installare un diffusore in posizione sospesa.
- Non eseguire l'installazione su superfici non sufficientemente robuste o dietro le quali si nascondono elementi potenzialmente pericolosi, quali cavi elettrici o tubazioni idrauliche. Assicurarsi che la staffa sia installata da un installatore professionista e in conformità alle norme edilizie locali.
- Utilizzare solo componenti e accessori forniti o specificati da Bose Professional per l'uso con i diffusori FreeSpace FS2SE. I componenti per il fissaggio del diffusore alla superficie di montaggio non sono in dotazione. Per informazioni sugli accessori compatibili, consultare la scheda tecnica del prodotto all'indirizzo **BoseProfessional.com**.
- Tenere il prodotto lontano dal fuoco e da fonti di calore. Non collocare sorgenti di fiamme libere (ad esempio, candele accese) sull'apparecchio o in prossimità di esso.
- Non apportare alterazioni non autorizzate al prodotto.
- La staffa per l'installazione a muro del FreeSpace FS2SE può essere utilizzata solo con questo modello.
- Evitare di esporre il diffusore o i suoi componenti di montaggio a sostanze chimiche non specificate da Bose Professional, inclusi a titolo esemplificativo lubrificanti, detergenti, spray per contatti e altri solventi a base di idrocarburi. L'esposizione a tali sostanze può danneggiare i materiali plastici e causare spaccature, con conseguenti rischi di caduta.
- Utilizzare esclusivamente un panno asciutto per pulire i diffusori. Non esporre il diffusore a saponi, detergenti, oli minerali o alcol, né ad altri detergenti o prodotti chimici.

Specifiche di prodotto

Tensione d'ingresso: 70 V/100 V

Impedenza: 16 Ω, 16 W

Potenza: (70 V): 1W, 2W, 4W, 8W, 16W; (100 V): 2W, 4W, 8W, 16W

Informazioni sulle normative

Non verniciare o modificare le finiture applicate in fabbrica.

CE Questo prodotto è conforme a tutti i requisiti pertinenti delle direttive UE. La dichiarazione di conformità completa è disponibile all'indirizzo: **www.Bose.com/compliance**.

UK CA Il presente prodotto è conforme a tutte le normative sulla compatibilità elettromagnetica del 2016 e a tutte le altre normative del Regno Unito applicabili. La dichiarazione di conformità completa è disponibile all'indirizzo: **www.Bose.com/compliance**

Questo simbolo indica che il prodotto non deve essere smaltito con i rifiuti domestici, ma deve essere consegnato a una struttura di raccolta appropriata per il riciclaggio. Uno smaltimento e un riciclaggio corretti aiutano a preservare le risorse naturali, la salute e l'ambiente. Per ulteriori informazioni sullo smaltimento e sul riciclaggio di questo prodotto, rivolgersi alle autorità locali, al servizio di smaltimento dei rifiuti o al negozio presso il quale è stato acquistato.

Data di produzione: l'ottava cifra del numero di serie corrisponde all'anno di produzione; ad esempio "7" indica 2007 o 2017.

Importatore per la Cina: Bose Electronics (Shanghai) Company Limited, Part C, Plant 9, No. 353 North Ruying Road, China (Shanghai) Pilot Free Trade Zone

Importatore per l'UE: Bose Products B.V., Gorslaan 60, 1441 RG Purmerend, Paesi Bassi

Importatore per il Messico: Bose de México, S. de R.L. de C.V., Paseo de las Palmas 405-204, Lomas de Chapultepec, 11000 México, D.F. Per informazioni su importatori e servizi: +5255 (5202) 3545

Importatore per Taiwan: Bose Taiwan Branch, 9F-A1, No. 10, Section 3, Minsheng East Road, Taipei City 104, Taiwan. N. telefono: +886-2-2514 7676

Importatore per il Regno Unito: Bose Limited, Bose House, Quayside Chatham Maritime, Chatham, Kent, ME4 4QZ, Regno Unito

Bose è un marchio registrato di Bose Corporation.

FreeSpace è un marchio registrato di Transom Post OpCo LLC.

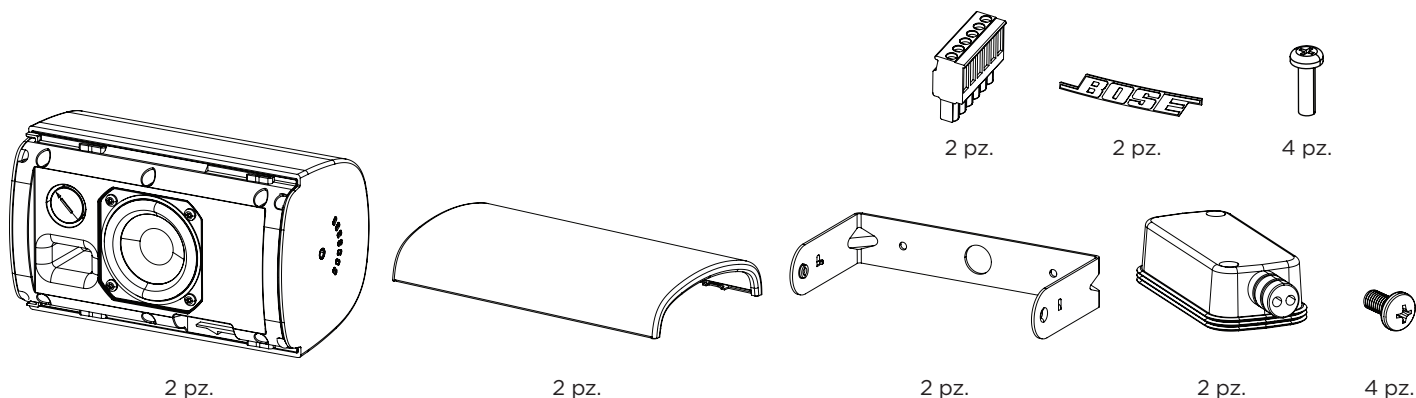
Bose Corporation, Framingham, MA 01701, U.S.A. 1-877-230-5639

©2023 Transom Post OpCo LLC. Nessuna parte di questo documento può essere riprodotta, modificata, distribuita o usata in altro modo senza previa autorizzazione scritta.

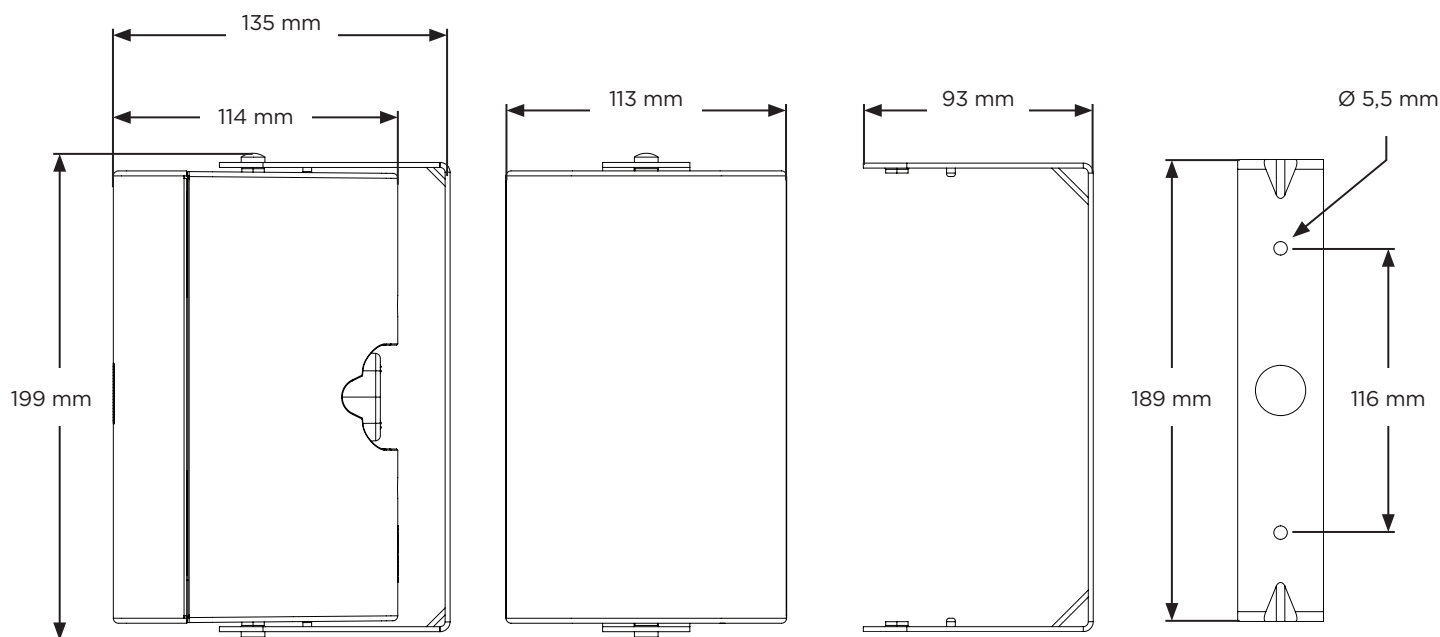
Informazioni sulla garanzia

Questo prodotto è coperto da una garanzia limitata.
Per i dettagli sulla garanzia, visitare **BoseProfessional.com/Warranty**.

Contenuto della confezione



Dimensioni del prodotto



Specifiche tecniche

Per ulteriori specifiche, consultare la scheda tecnica del diffusore FreeSpace FS2SE all'indirizzo BoseProfessional.com. Per le specifiche EN 54-24 (inclusa EQ esterna obbligatoria), leggere le valutazioni di certificazione FreeSpace FS2SE EN 54-24 (AM857612 Rev. 01) all'indirizzo BoseProfessional.com.

Caratteristiche fisiche	
Dimensioni del prodotto	Altezza: 199 mm
	Larghezza: 113 mm
	Profondità: 135 mm
Peso netto del diffusore con griglia e staffa (singolo)	1,63 kg
Peso di spedizione (coppia)	4,17 kg (9,20 lb)
Dati ambientali	Adatto per l'uso in ambienti esterni caratterizzati da umidità, con copertura di protezione ingressi integrata resistente alle intemperie (IP55 secondo EN60529; IP33C secondo EN 54-24). È disponibile una griglia in alluminio per impieghi gravosi come accessorio opzionale, per prevenire la corrosione rossastra.

Informazioni importanti sull'installazione



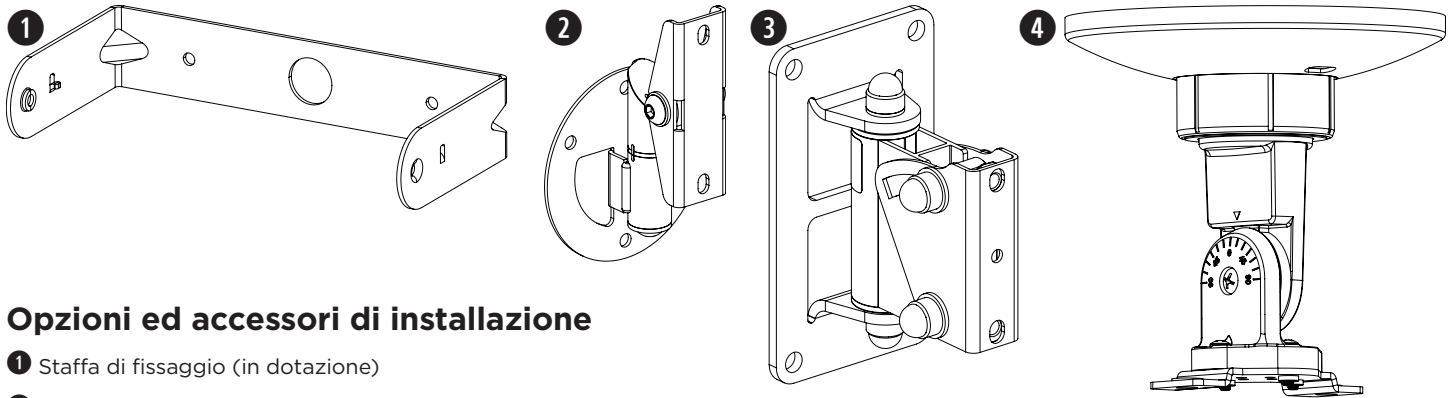
Prima di installare il diffusore, consultare la sezione **Istruzioni importanti sulla sicurezza** a pagina 30.



Per le applicazioni di segnalazione incendi ed evacuazioni, certificazione ambientale IP33C secondo EN 54-24.

Per le applicazioni su installazioni audio per uso generale, certificazione ambientale IP55 secondo EN60529.

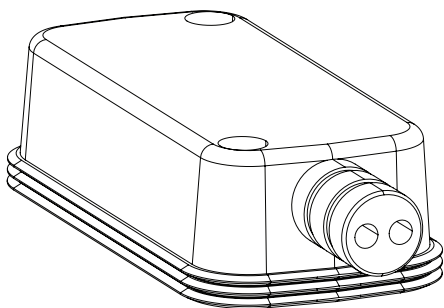
Opzioni di installazione



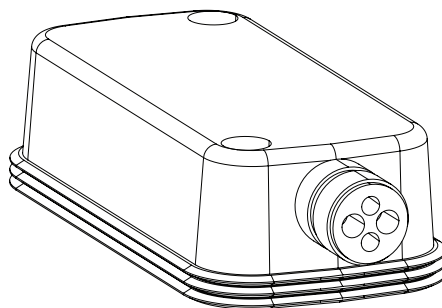
Opzioni ed accessori di installazione

- ❶ Staffa di fissaggio (in dotazione)
- ❷ **DMSBRKT** Staffa per orientamento pan-and-tilt (opzionale, solo per interni)
- ❸ **WBPWR-50** Staffa per orientamento pan-and-tilt (opzionale, solo per esterni)
- ❹ Staffa per fissaggio a soffitto **CMBS2** (opzionale, solo per interni)

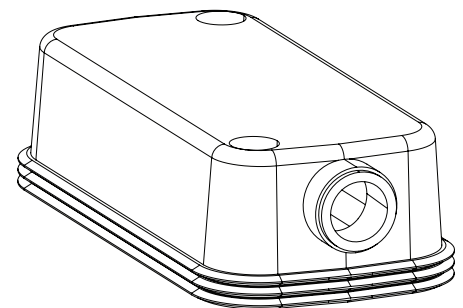
Ingresso singolo



Ingresso e uscita



Ampia apertura



Preparazione della cover di protezione degli ingressi

La cover di protezione degli ingressi è progettata per tre diversi tipi di cablaggio (vedere sopra). Per adattare la configurazione della cover di protezione degli ingressi al tipo di cablaggio in uso, tagliare il tubo protettivo in gomma lungo la perforazione. Utilizzare un giunto filettato con entrambe le aperture da $\frac{1}{2}$ " e due raccordi del corrugato in formato commerciale da $\frac{3}{8}$ " per passacavi da $\frac{1}{2}$ " (vedi lo schema seguente).

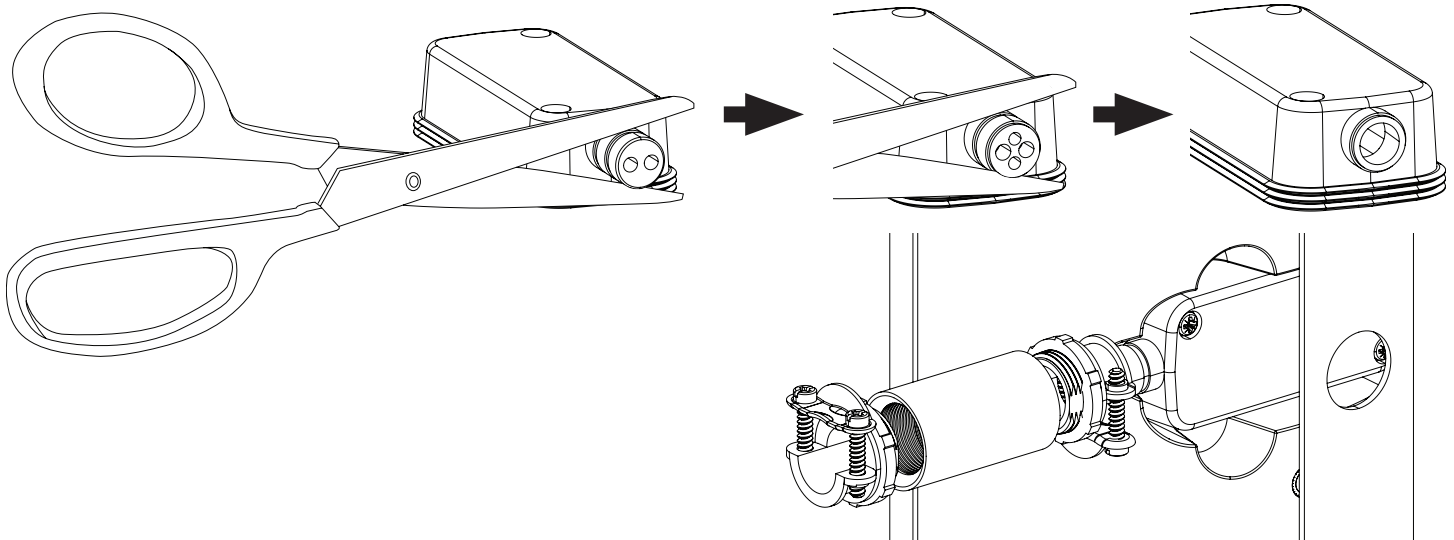


ATTENZIONE: non utilizzare il cablaggio completamente aperto durante l'installazione della cover di protezione con un tubo flessibile.

ATTENZIONE: per prevenire le infiltrazioni d'acqua, non installare la copertura di protezione degli ingressi rivolta verso l'alto.

Nota: è responsabilità dell'installatore sigillare il tubo per prevenire l'ingresso di acqua nel connettore Euroblock. Per garantire la perfetta tenuta di tutte le connessioni di cablaggio, utilizzare silicone per ambienti esterni o per usi marini.

Nota: i raccordi e i condotti flessibili devono essere conformi alla certificazione UL, adatti per l'applicazione e installati in conformità con le autorità locali competenti.



Cablaggio del diffusore

Diametro dei cablaggi

Il diffusore FreeSpace FS2SE è concepito esclusivamente per l'impiego con cavi di dimensioni comprese tra 18 AWG (0,8 mm²) e 14 AWG (2,1 mm²).

Schemi di collegamento

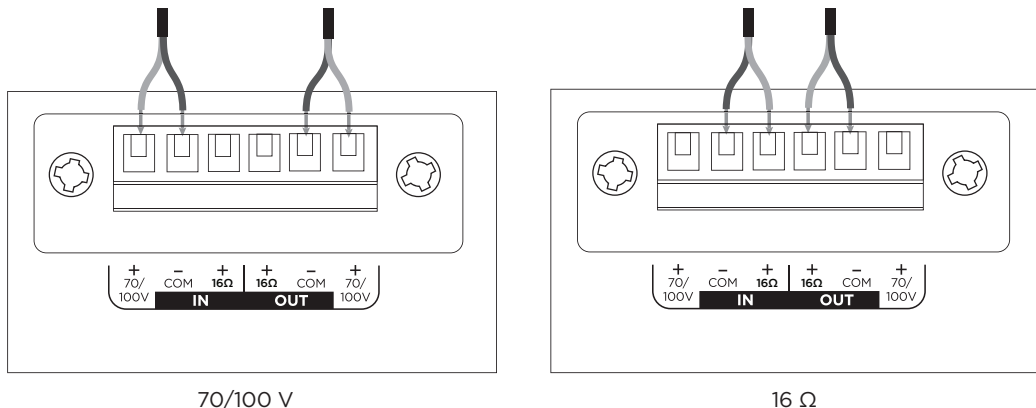
Scoprire 6 mm di filo non rivestito da collegare ai terminali.

Nota: il diffusore non è certificato per l'utilizzo con un corrugato rigido. Il diffusore può essere utilizzato con connessioni di cablaggio o tubi protettivi flessibili.

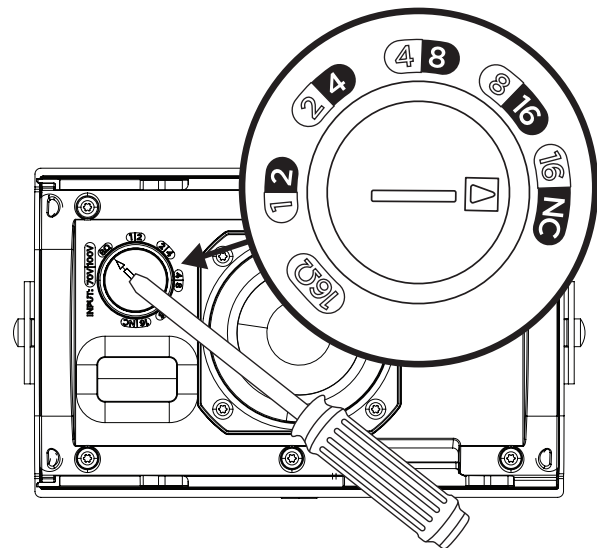
Nota: il metodo di cablaggio deve essere conforme alle seguenti normative.

In Canada, CSA C22.1, Canadian Electrical Code, Part I, Safety Standard for Electrical Installations, Section 32.

Negli Stati Uniti, National Electrical Code, NFPA 70, e National Fire Alarm and Signaling Code, NFPA 72.



Impostazioni del diffusore



70 V					
1W	2W	4W	8W	16W*	16 Ω
2W	4W	8W	16W	NC**	
100 V					

*Impostazioni di fabbrica **NC: nessuna connessione (non utilizzare)

Impostazione potenza del trasformatore

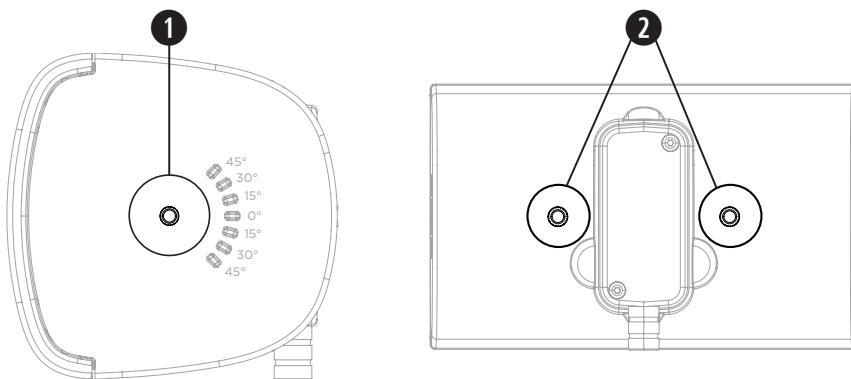
Selezionare la potenza ruotando il potenziometro tramite un cacciavite a testa piatta.

Uso di un cavo di sicurezza

Alcune normative edilizie regionali richiedono l'impiego di un secondo metodo di fissaggio dei diffusori alle strutture di supporto, allo scopo di garantire una maggior sicurezza. Scegliere posizione, metodo e accessori di fissaggio conformi alle normative edilizie locali.

È possibile collegare un cavo di sicurezza al diffusore utilizzando uno degli inserti filettati posizionati sul retro o sui lati del cabinet. Se si installa il diffusore utilizzando la staffa di montaggio inclusa, utilizzare uno degli inserti filettati posteriori (2). Se si installa il diffusore utilizzando una delle staffe accessorie opzionali (vedere pagina 4), utilizzare uno degli inserti filettati laterali (1). Vedere lo schema riportato a destra per i punti di fissaggio di sicurezza.

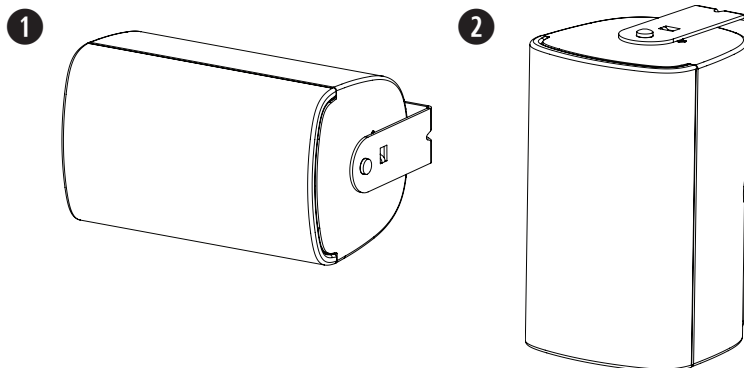
Gli inserti laterali sono dimensionati per una vite M5 (non inclusa) con una profondità di 11 millimetri. Gli inserti posteriori (2) sono dimensionati per viti M6 con una profondità di 12 millimetri.



Orientamento del diffusore

Scegliere l'orientamento del diffusore più adatto

- ❶ Orizzontale
- ❷ Verticale

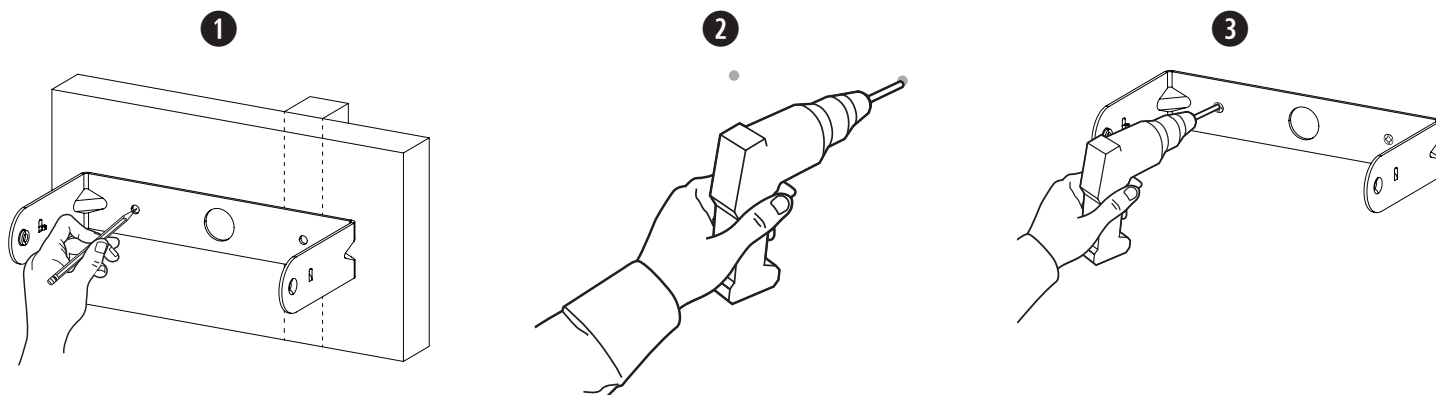


Installazione della staffa

Nota: durante la scelta della posizione di installazione, almeno uno dei punti di aggancio della staffa di montaggio deve essere fissato a una struttura portante. I punti di aggancio non fissati a una struttura portante devono essere fissati utilizzando componenti appropriati per l'installazione. Scegliere dispositivi di fissaggio conformi a tutti i requisiti e tutte le normative per l'edilizia in vigore a livello locale.

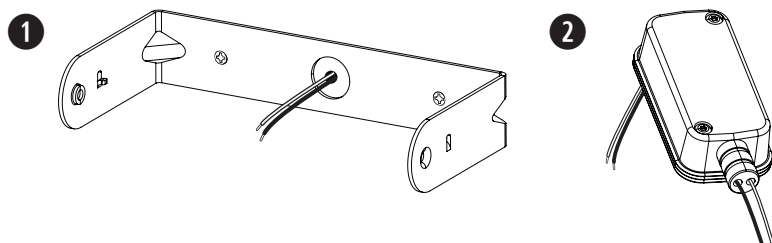
Nota: scegliere dispositivi di fissaggio appropriati per sostenere il peso del diffusore (1,63 kg).

1. Contrassegnare la posizione dei fori.
2. Praticare due fori (dimensionati per i dispositivi di fissaggio appropriati) nella parete.
3. Fissare la staffa alla parete con due viti (non in dotazione). **Nota:** utilizzare viti in formato M5 o 10-24.



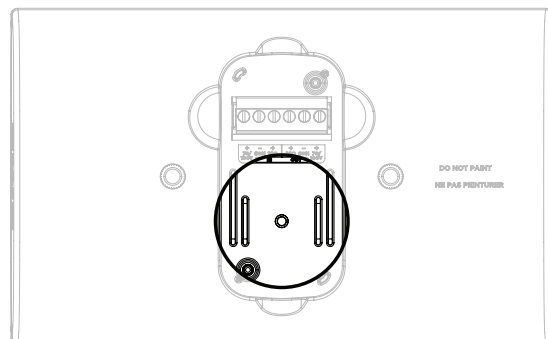
Cablaggio del connettore

1. Far passare i cavi attraverso il foro centrale della staffa.
2. Inserire i fili attraverso la parte inferiore della cover di protezione degli ingressi. Vedere **Preparazione della cover di protezione degli ingressi** a pagina 32.
3. Cablare il connettore. Per informazioni sul cablaggio, vedere **Cablaggio del diffusore** a pag. 33.



Punto di fissaggio del morsetto ceramico

FreeSpace FS2SE è compatibile con un terminale in ceramica opzionale. L'immagine a lato mostra la posizione di fissaggio di tale morsetto ceramico. Per ulteriori informazioni sul terminale in ceramica, consultare la guida all'installazione del terminale in ceramica all'indirizzo BoseProfessional.com.

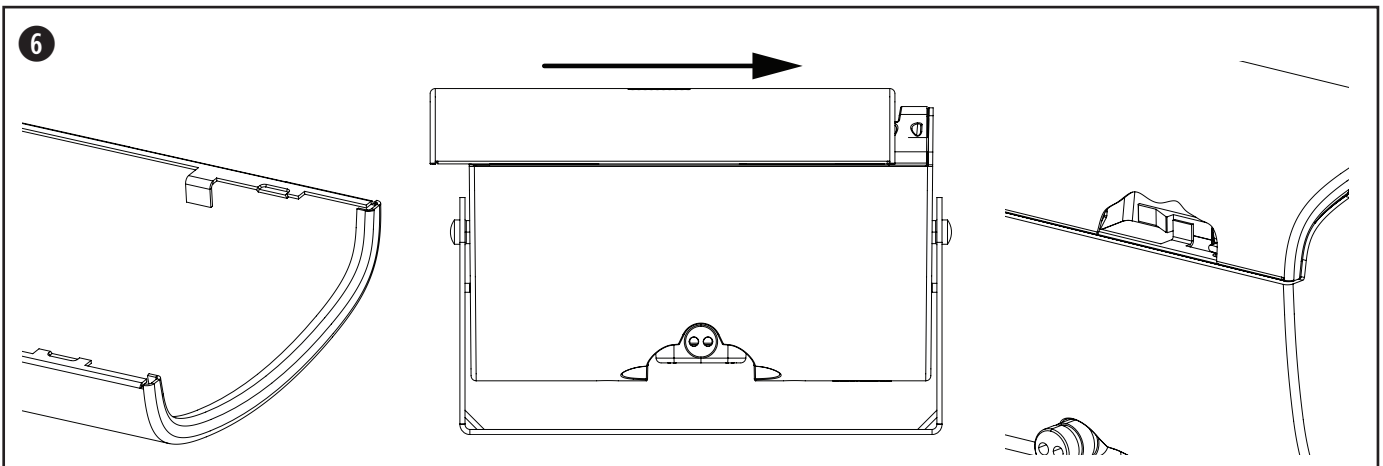
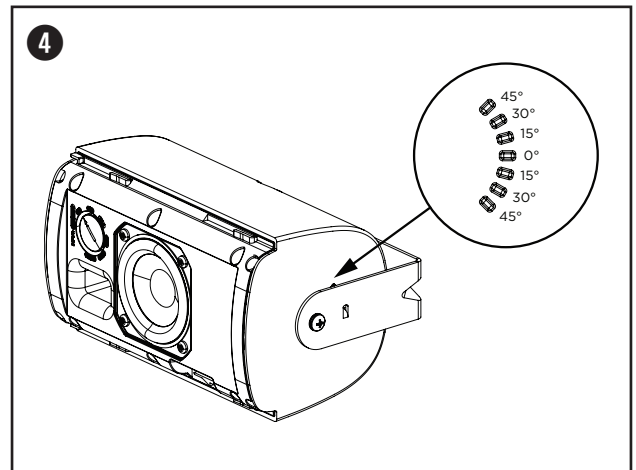
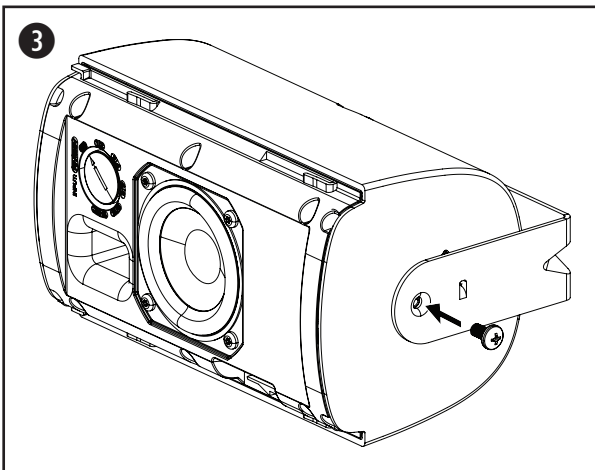
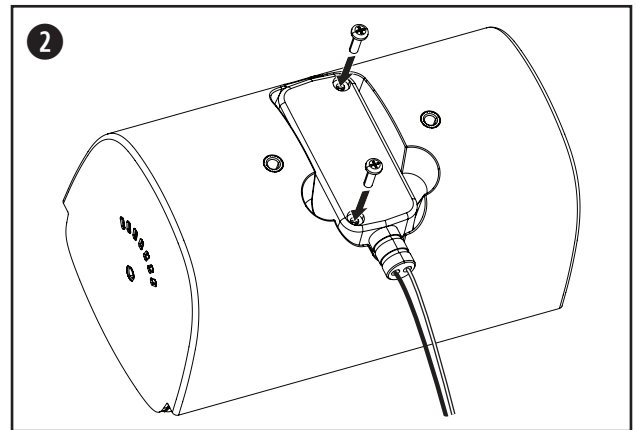
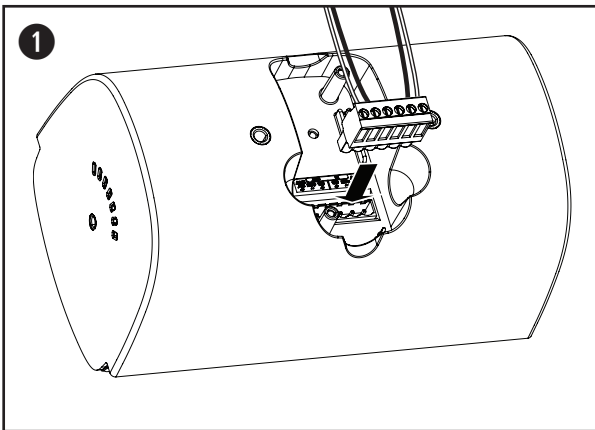


Installazione del diffusore



AVVERTENZA: la mancata osservanza delle seguenti istruzioni può causare condizioni di fissaggio non sicure, con conseguenti rischi di caduta.

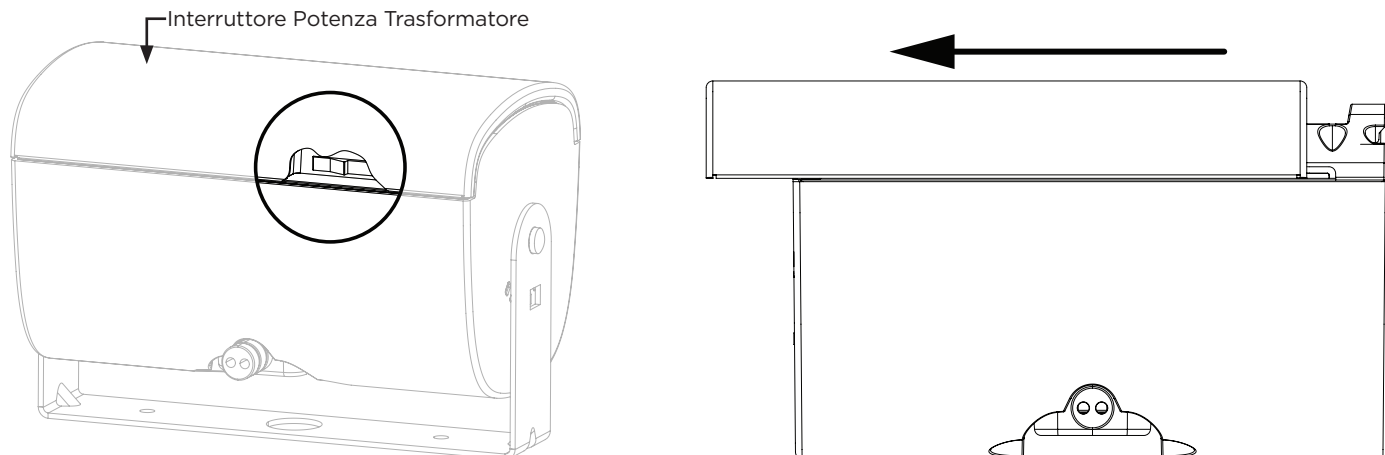
1. Fissare il connettore cablatto al diffusore.
2. Posizionare la cover di protezione degli ingressi sul connettore e premerla con decisione contro il diffusore per assicurarne la tenuta. Utilizzare le due viti della cover di protezione degli ingressi incluse per fissare la cover. Vedere **Preparazione della cover di protezione degli ingressi** a pagina 32.
3. Posizionare e tenere il diffusore tra i bracci della staffa e avvitare ognuna delle apposite viti incluse su ciascun lato del diffusore utilizzando gli inserti filettati.
4. Allineare i perni della staffa di montaggio con l'angolo di inclinazione indicato più adatto all'installazione e assicurare la staffa al diffusore.
Nota: l'inclinazione del diffusore è regolabile a 0° , $\pm 15^\circ$, $\pm 30^\circ$ o $\pm 45^\circ$.
Nota: nelle installazioni outdoor, non installare il diffusore orientato verso l'alto.
5. Serrare le viti su entrambi i lati del diffusore per fissarlo alla staffa di montaggio. Non serrare eccessivamente la vite.
Nota: prima di fissare la griglia, regolare le impostazioni di tapping del diffusore sull'impostazione appropriata per l'installazione. Consultare la sezione **Impostazioni del diffusore** a pagina 33.
6. Individuare la linguetta della griglia all'interno della stessa. Fissare la griglia facendo scorrere la linguetta in posizione. Assicurarsi che la linguetta della griglia si agganci al sistema di bloccaggio della griglia che si trova sul cabinet del diffusore.



Rimozione della griglia

La griglia è fissata al diffusore tramite un sistema di bloccaggio. Sganciare il sistema di bloccaggio della griglia inserendo un attrezzo di piccole dimensioni (diametro non superiore a 1,5 millimetri) attraverso il foro della griglia. Tenere premuto il sistema di bloccaggio e far scorrere la griglia per staccarla da diffusore.

Nota: il bloccaggio della griglia è posizionato sul lato del diffusore opposto all'interruttore che regola la potenza del trasformatore. Consultare il seguente schema per individuare la posizione del sistema di bloccaggio della griglia.



Orientamento del logo

Il diffusore FreeSpace FS2SE ha in dotazione un logo Bose preinstallato per installazioni con orientamento orizzontale. Il diffusore ha in dotazione anche un logo separato per installazioni con orientamento verticale. Per rimuovere il logo, staccarlo delicatamente dalla griglia del diffusore. Per applicare il logo in verticale, individuare il centro della griglia e allineare le tacche sul retro del logo con il foro della griglia. Premere sul logo per fissarlo alla griglia del diffusore.

Conformità alle norme di sicurezza

Il diffusore FreeSpace FS2SE ha superato i test ai quali è stato sottoposto, risultando conforme alle specifiche e alle applicazioni indicate di seguito:

Certificazione ANSI/UL 1480-2016, CAN/ULC-S541

Uso Fire Protective Signaling - UL Categoria UUMW/UUMW7, Numero file S 3241. Numero controllo 42S9.
Da non utilizzare con sistemi controllati in CC.

Adatto per l'uso in ambienti esterni caratterizzati da umidità.

EN 54-24: 2008, diffusore per sistemi di allarme vocale per Sistemi di rivelazione e di segnalazione d'incendio per edifici

Classe di protezione: B (applicazioni in esterni)

Adatto per l'installazione mediante metodi di cablaggio Classe 1, Classe 2 o Classe 3 in conformità a NFPA 70, National Electric Code, 2002, Articolo 640.

Adatti per l'uso con metodi di cablaggio per circuiti di allarme antincendio in conformità a NFPA 70, National Electric Code, 2002, Articolo 760.

NFPA 70, National Electric Code, 2002, Articolo 300-22(c).

NFPA 90-A, 2002, Installazione di sistemi di condizionamento dell'aria e ventilazione, Paragrafo 4.3.10.2.6.5.

Direttiva EMC 89/336/EEC e articolo 10 (1) della direttiva, in conformità a EN50081-1 e EN50082-1, come indicato dal marchio CE.

Il diffusore FreeSpace FS2SE è stato progettato in conformità ai requisiti previsti dalle seguenti normative europee relative ai sistemi combinati:

British Standard Code of Practice BS 5839, Sezione 8, se utilizzato con morsetteria in ceramica e fusibile termico.

Collaudato in conformità a IEC60268-5.

Angolo di copertura nominale (conformemente a UL 1480) Verticale: 120°/50° a -3 dB; 155°/25° a -6 dB
Orizzontale: 120°/60° a -3 dB; 155°/25° a -6 dB

Certificato UL sensibilità potenza impegnata, livello di pressione sonora dB a 3,1 metri:

Potenza impegnata	CAN/ULC-S541 Canada	
	70 V	100 V
1 W	77,9 dBA	—
2 W	80,8 dBA	80,8 dBA
4 W	83,3 dBA	83,3 dBA
8 W	86,0 dBA	85,9 dBA
16 W	87,7 dBA	87,7 dBA
16 Ω	87,5 dBA	—

Potenza impegnata	ANSI/UL 1480-2016 Stati Uniti	
	70 V	100 V
1 W	72,4 dBA	—
2 W	74,7 dBA	74,9 dBA
4 W	77,5 dBA	77,5 dBA
8 W	80,2 dBA	80,0 dBA
16 W	82,6 dBA	82,5 dBA
16 Ω	82,6 dBA	—

I livelli di pressione sonora forniti sono conformi al metodo di segnalazione specificato dalla certificazione UL 1480.

Risposta in frequenza:

Allarme antincendio (certificazione UL): da 95 Hz a 17000 Hz

Lees alle veiligheidsinstructies en de gebruiksaanwijzing door en bewaar deze.

Dit product is uitsluitend bestemd voor installatie door professionele installateurs!

Dit document is bedoeld om professionele installateurs essentiële installatie- en veiligheidsrichtlijnen te bieden voor dit product in standaardsystemen voor vaste installatie. Lees dit document en alle veiligheidswaarschuwingen voordat u een systeem probeert te installeren.

Probeer dit product niet zelf te repareren. Neem voor alle onderhoud contact op met een geautoriseerd servicecenter, installateur, technicus, dealer of distributeur. Om contact op te nemen met Bose Professional en voor informatie over de dichtstbijzijnde dealer of distributeur, gaat u naar **BoseProfessional.com**.

1. Lees deze instructies door.
2. Bewaar deze instructies.
3. Neem alle waarschuwingen in acht.
4. Volg alle instructies.
5. Zorg dat u de ventilatieopeningen niet blokkeert. Installeer het product volgens de instructies van de fabrikant.
6. Installeer het product niet in de buurt van warmtebronnen, zoals radiatoren, warmteroosters, kachels of andere apparaten (waaronder versterkers) die warmte produceren.
7. Gebruik uitsluitend aansluitonderdelen/accessoires die door de fabrikant worden gespecificeerd.

WAARSCHUWINGEN

Dit product bevat magnetisch materiaal. Raadpleeg uw arts om te vragen of dit invloed kan hebben op uw geïmplanteerde medische hulpmiddel.

Bevat kleine onderdelen die verstikkingsgevaar kunnen vormen. Niet geschikt voor kinderen jonger dan 3 jaar.

- Het is de verantwoordelijkheid van de installateur een ophangstelsel te gebruiken dat de windbelasting kan weerstaan zoals vermeld in de toepasselijke regels en standaarden.
- Alle Bose Professional-producten moeten worden geïnstalleerd volgens de plaatselijke en landelijke voorschriften en industriënormen. Het is de verantwoordelijkheid van de installateur om ervoor te zorgen dat de installatie van de luidsprekers en het montagesysteem gebeurt met inachtneming van alle van toepassing zijnde voorschriften, waaronder plaatselijke bouwvoorschriften. Neem contact op met de juiste plaatselijke overheidsinstanties voordat u dit product installeert.
- Het onveilig monteren of ophangen van een zware last kan leiden tot beschadiging van uw eigendommen, ernstig letsel en overlijden. Het is de verantwoordelijkheid van de installateur om de betrouwbaarheid te evalueren van de gebruikte montagemethode. Alleen professionele installateurs met kennis van het juiste gereedschap en veilige montagetechnieken mogen luidsprekers hoog ophangen.
- Niet bevestigen aan oppervlakken die niet sterk zijn of die mogelijke risico's opleveren, bijvoorbeeld vanwege elektrische bedrading of waterleidingen. De beugel moet door een gekwalificeerde installateur worden geplaatst in overeenstemming met de lokale bouwvoorschriften.
- Gebruik alleen de hardware en accessoires die zijn meegeleverd of gespecificeerd door Bose Professional voor gebruik met de FreeSpace FS2SE luidsprekers. De hardware voor bevestiging van de luidspreker aan het bevestigingsoppervlak wordt niet meegeleverd. Raadpleeg voor informatie over compatibele accessoires het datasheet met technische gegevens op **BoseProfessional.com**.
- Houd het product uit de buurt van vuur en warmtebronnen. Plaats geen open vlam, zoals een brandende kaars, op of bij het product.
- Er mogen geen wijzigingen aan dit product worden aangebracht door onbevoegden.
- De FreeSpace FS2SE-bevestigingsbeugel voor de wand is uitsluitend bestemd voor gebruik met de FS2SE.
- Stel de luidspreker of de montageonderdelen niet bloot aan chemische substanties die niet zijn gespecificeerd door Bose Professional, met inbegrip van, maar niet beperkt tot smeermiddelen, reinigingsmiddelen, contactsprays of oplosmiddelen op basis van koolwaterstoffen. Blootstelling aan dergelijke stoffen kan nadelige gevolgen hebben voor het kunststof materiaal, wat kan leiden tot scheuren en een risico op vallen.
- Reinig de luidsprekers alleen met een droge doek. Stel de luidspreker niet bloot aan zeep, reinigingsmiddel, minerale olie, alcohol of andere reinigingsmiddelen of chemicaliën.

Wettelijk verplichte informatie

Verf de in de fabriek aangebrachte afwerkingen niet en pas deze niet aan.



Dit product voldoet aan alle vereisten van de van toepassing zijnde EU-richtlijnen. De volledige conformiteitsverklaring kunt u vinden op: **www.Bose.com/compliance**.



Dit product voldoet aan alle toepasselijke voorschriften in de Electromagnetic Compatibility Regulations 2016 en aan alle overige toepasselijke wet- en regelgeving van het Verenigd Koninkrijk. De volledige conformiteitsverklaring kunt u vinden op: **www.Bose.com/compliance**



Dit symbool betekent dat het product niet mag worden weggegooid als huishoudelijk afval en naar een geschikt inzamelpunt voor recycling moet worden gebracht. Het op de juiste wijze afvoeren en recyclen helpt natuurlijke hulpbronnen, de menselijke gezondheid en het milieu te beschermen. Voor meer informatie over het afvoeren en recyclen van dit product neemt u contact op met de gemeente waar u woont, de afvalverwerkingsdienst of de winkel waar u dit product hebt gekocht.

Fabricagedatum: Het achtste cijfer in het serienummer geeft het fabricagejaar aan, '7' is 2007 of 2017.

Importeur in China: Bose Electronics (Shanghai) Company Limited, Part C, Plan 9, No. 353 North Riyang Road, China (Shanghai) Pilot Free Trade Zone

Importeur in de EU: Bose Products B.V., Gorslaan 60, 1441 RG Purmerend, Nederland

Importeur in Mexico: Bose de México, S. de R.L. de C.V., Paseo de las Palmas 405-204, Lomas de Chapultepec, 11000 México, D.F. Gegevens importeur en service-informatie: +52 55 52 02 35 45

Importeur in Taiwan: Bose Taiwan Branch, 9F-A1, No.10, Section 3, Minsheng East Road, Taipei City 104, Taiwan. Telefoonnummer: +886 2 25 14 76 76

Importeur in het VK: Bose Limited, Bose House, Quayside Chatham Maritime, Chatham, Kent, ME4 4QZ, United Kingdom

Bose is een handelsmerk van Bose Corporation.

FreeSpace is een handelsmerk van Transom Post OpCo LLC.

Bose Corporation, Framingham, MA 01701, U.S.A. 1-877-230-5639

©2023 Transom Post OpCo LLC. Niets in deze uitgave mag worden gereproduceerd, gewijzigd, gedistribueerd of op andere wijze worden gebruikt zonder voorafgaande schriftelijke toestemming.

Garantie-informatie

Dit product wordt gedekt door een beperkte garantie.

Ga naar **BoseProfessional.com/Warranty** voor garantie-informatie.

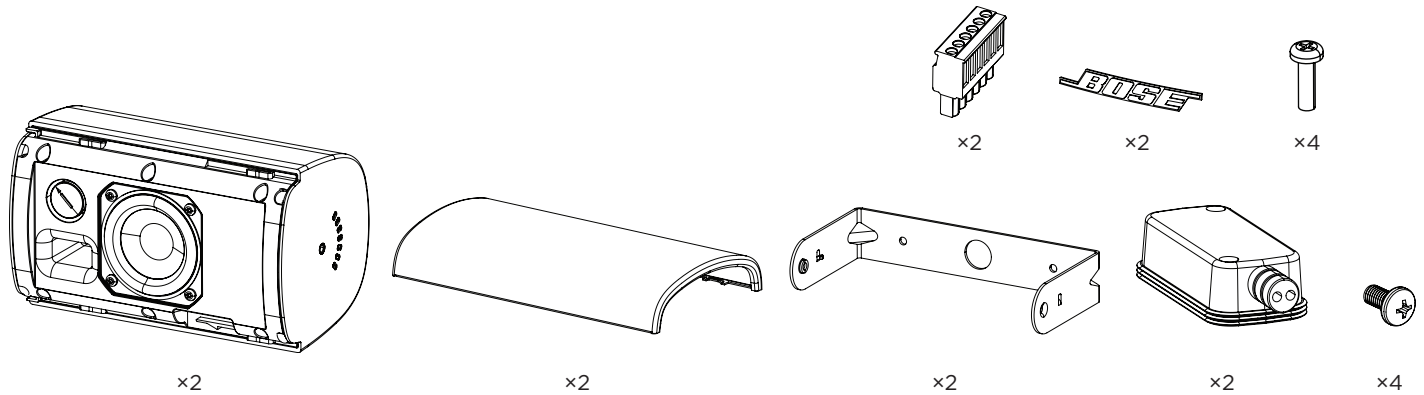
Productvermogen:

Ingangsspanning: 70 V/100 V

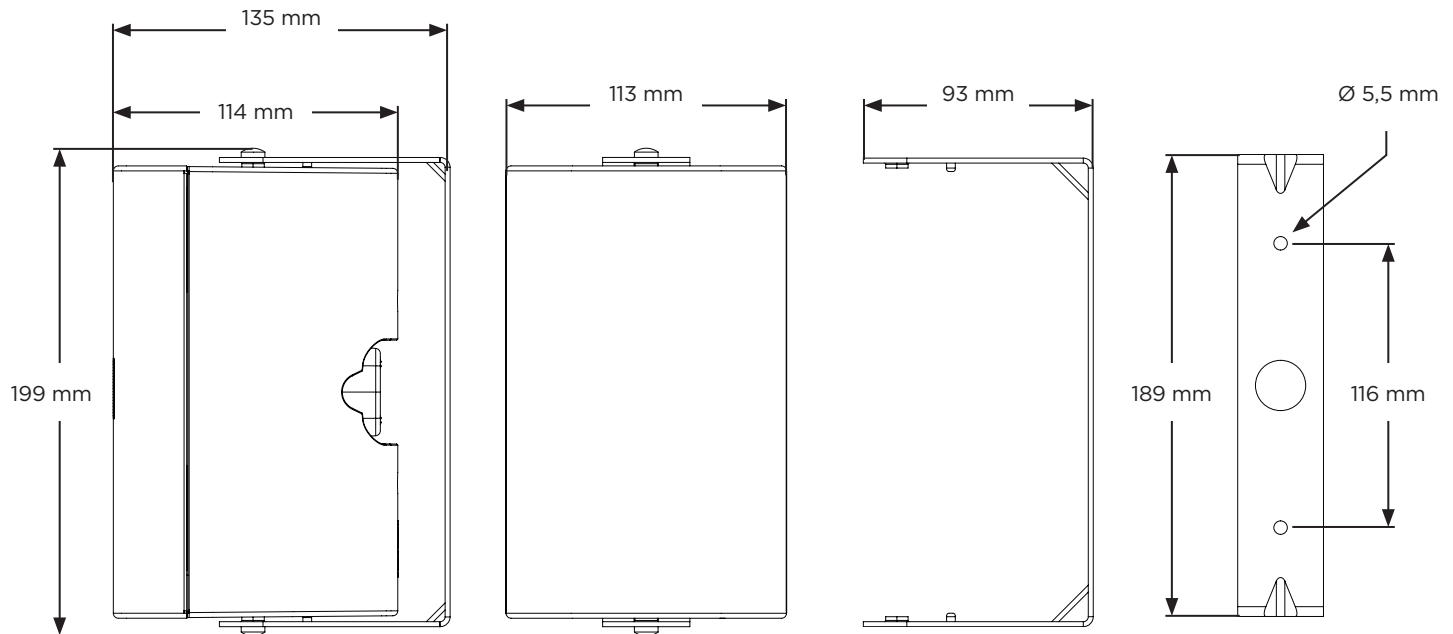
Impedantie: 16 Ω, 16 W

Stroomsterkte: (70 V): 1 W, 2 W, 4 W, 8 W, 16 W; (100 V): 2 W, 4 W, 8 W, 16 W

Inhoud van de doos



Afmetingen van het product



Technische specificaties

Raadpleeg voor aanvullende specificaties het datasheet met technische gegevens voor de FreeSpace FS2SE op BoseProfessional.com. Raadpleeg voor EN 54-24-specificaties (inclusief de vereiste externe EQ) de FS2SE EN 54-24-certificering voor FreeSpace (AM857612 Rev. 01) op BoseProfessional.com.

Fysiek	
Afmetingen van het product	Hoogte: 199 mm
	Breedte: 113 mm
	Diepte: 135 mm
Nettogewicht, luidspreker met grille en beugel (enkel)	1,63 kg
Verzendgewicht (paar)	4,17 kg
Weerbestendigheid	Geschikt voor buitengebruik op vochtige locaties met de meegeleverde weerbestendige afdekking (IP55 volgens EN60529; IP33C volgens EN 54-24). Een optionele aluminium grille voor zware weersomstandigheden helpt rode corrosie te voorkomen.

Belangrijke installatie-informatie



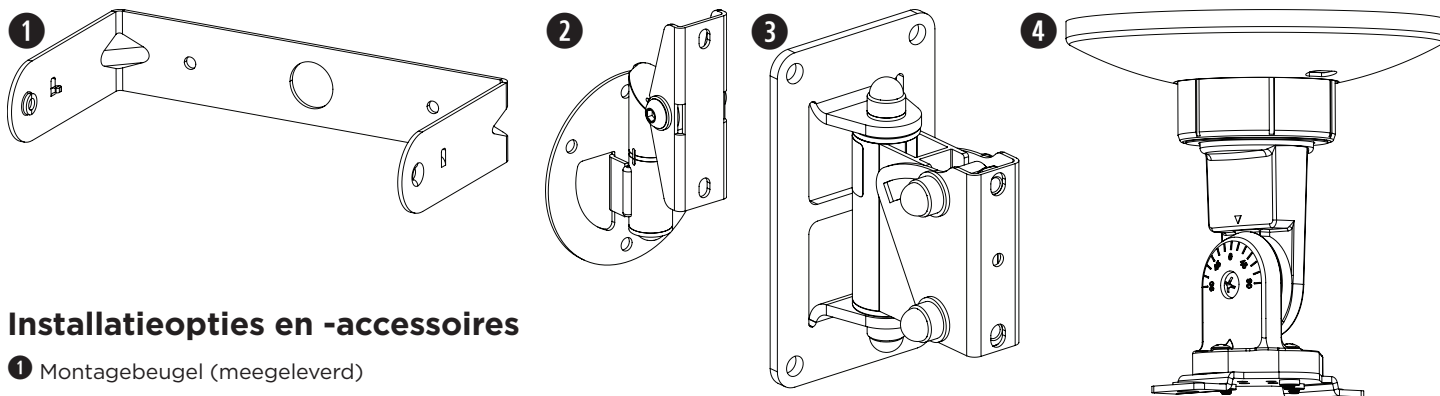
Lees voordat u de luidspreker installeert **Belangrijke veiligheidsinstructies** op pagina 37.



Voor **brand- en evacuatiesystemen** IP33C-beoordeling volgens EN 54-24.

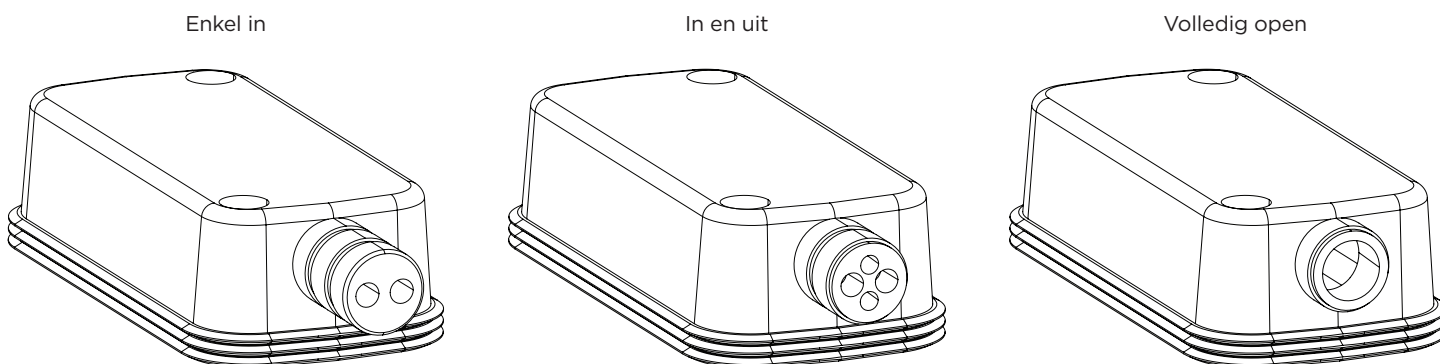
Voor **audio-installaties voor algemeen gebruik** IP55-beoordeling volgens EN60529.

Installatieopties



Installatieopties en -accessoires

- ❶ Montagebeugel (meegeleverd)
- ❷ DMSBRKT pan-and-tiltbeugel (optioneel; alleen voor binnen)
- ❸ WBPWR-50 pan-and-tiltbeugel (optioneel; voor buiten)
- ❹ CMBS2-plafondbeugel (optioneel; alleen voor binnengebruik)



De afdekking voorbereiden

De afdekking is geschikt voor drie verschillende bedradingsschema's (zie boven). Om de configuratie van de afdekking aan te passen aan uw bedradingsschema, knipt u langs de perforatie op de rubberen geleiding. Gebruik één ½" bij ½" koppelingsstuk met schroefdraad en twee ¾" handelsmaat leidinghulpstukken voor uitbreekopeningen van ½" (zie onderstaand schema).

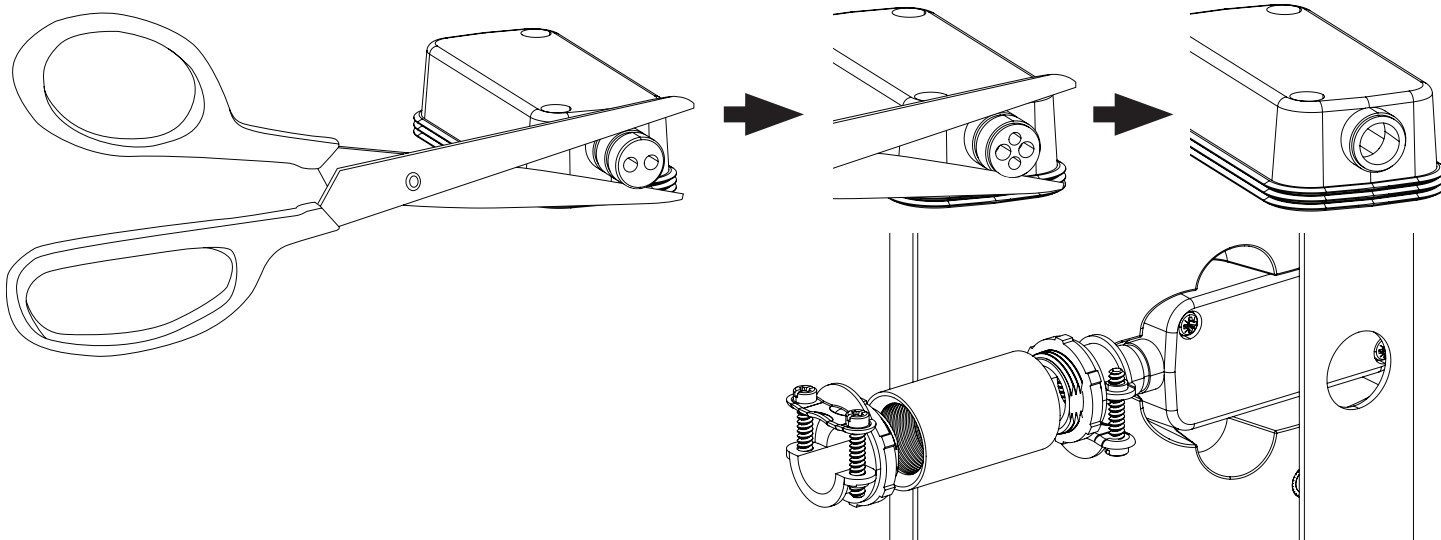


LET OP: Gebruik niet het bedradingsschema voor volledig open configuraties bij installatie van de afdekking met een flexibele geleider.

LET OP: Om het binnendringen van water te voorkomen, moet de afdekking niet naar boven gericht worden geplaatst.

Opmerking: Het is de verantwoordelijkheid van de installateur om voor afdichting te zorgen die het binnendringen van water in de Euroblock-connector voorkomt. Gebruik silicone voor buitengebruik of zeewaterbestendig silicone voor een goede afdichting van alle kabelaansluitingen.

Opmerking: Flexibele geleiders en koppelingsstukken moeten UL-gecertificeerd en geschikt voor de toepassing zijn en worden geïnstalleerd in overeenstemming met de geldende lokale regelgeving.



De luidspreker bekabelen

Bekabelingsdiameter

De FreeSpace FS2SE luidspreker is uitsluitend ontworpen voor bedrading van 18 AWG (0,8 mm²) tot 14 AWG (2,1 mm²).

Aansluitdiagrammen

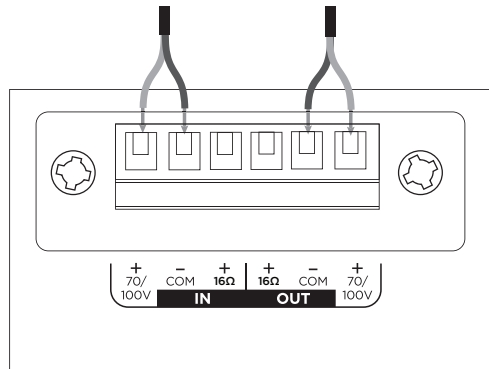
Strip zes millimeter van de kabelisolatie voor bevestiging van de kale kabel aan de aansluitingen.

Opmerking: De luidspreker is niet getest voor gebruik met een rigide geleider. De luidspreker is alleen geschikt voor gebruik met een flexibele geleider of een kabel.

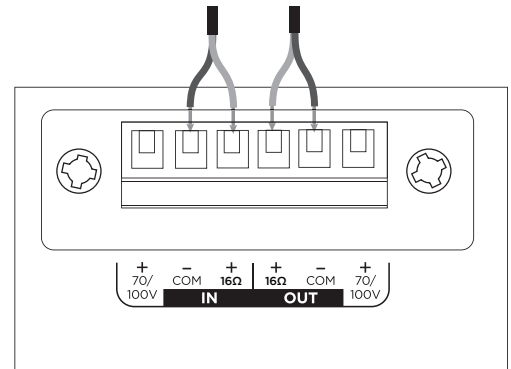
Opmerking: Bekabelingsmethode moet in overeenstemming zijn met:

In Canada: CSA C22.1, Canadian Electrical Code, Part I, Safety Standard for Electrical Installations, Section 32;

In de VS: National Electrical Code, NFPA 70 en National Fire Alarm and Signaling Code, NFPA 72.

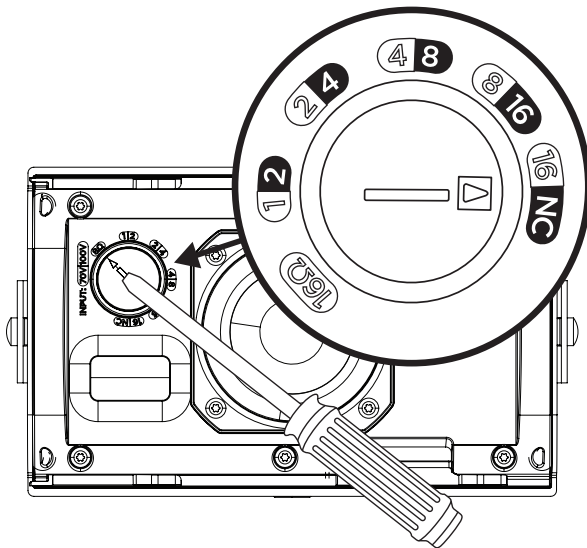


70/100 V



16 Ω

Luidsprekerinstellingen



70 V					
1 W	2 W	4 W	8 W	16 W*	16 Ω
2 W	4 W	8 W	16 W	NC**	
100 V					

* Fabrieksinstelling

** NC: No Connection (geen aansluiting; niet gebruiken)

Transformatorinstelling

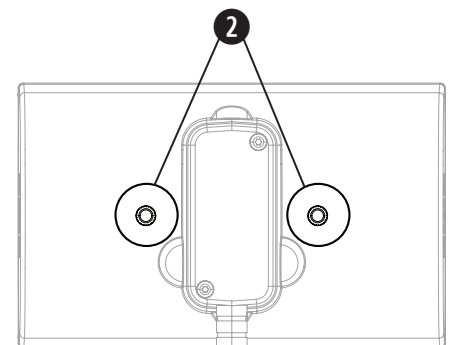
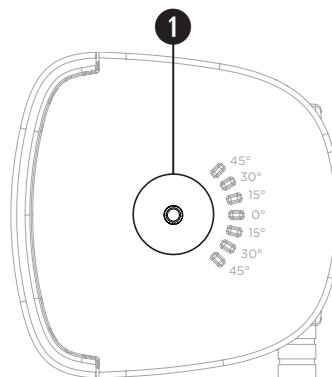
Draai om de transformator in te stellen. Gebruik een schroevendraaier met platte kop.

Een veiligheidskabel gebruiken

In sommige regio's bent u volgens de bouwvoorschriften verplicht luidsprekers dubbel gezekeerd te bevestigen voor extra veiligheid. De gekozen locatie, montagewijze en gebruikte montagemiddelen moeten voldoen aan de geldende bouwvoorschriften en -verordeningen.

Er kan een veiligheidskabel aan de luidspreker worden bevestigd met een van de schroefgaten op de achterkant of de zijkanten van de behuizing. Als de luidspreker wordt geïnstalleerd met de meegeleverde bevestigingsbeugel, gebruikt u een van de schroefgaten aan de achterkant (2). Als de luidspreker wordt geïnstalleerd met een van de optionele beugels (zie pagina 4), gebruikt u een van de schroefgaten aan de zijkant (1). Raadpleeg het schema rechts voor bevestigingspunten.

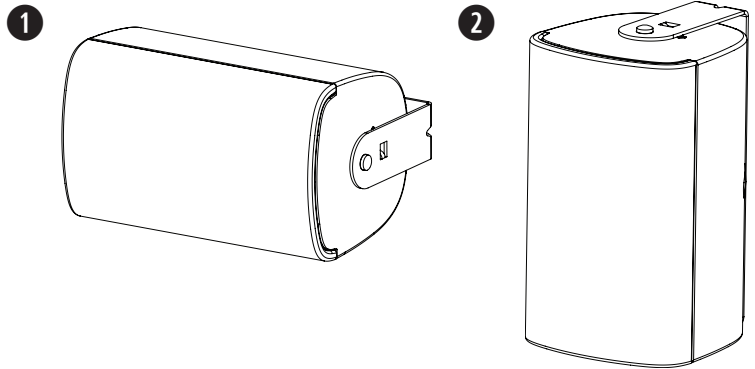
De schroefgaten aan de zijkanten (1) zijn geschikt voor M5-schroeven (niet meegeleverd) met een diepte van 11 millimeter. De schroefgaten aan de achterkant (2) zijn geschikt voor M6-schroeven en een diepte van 12 millimeter.



Luidsprekeroriëntatie

Kies de luidsprekeroriëntatie die het meest geschikt is voor uw installatie.

- 1 Horizontaal
- 2 Verticaal

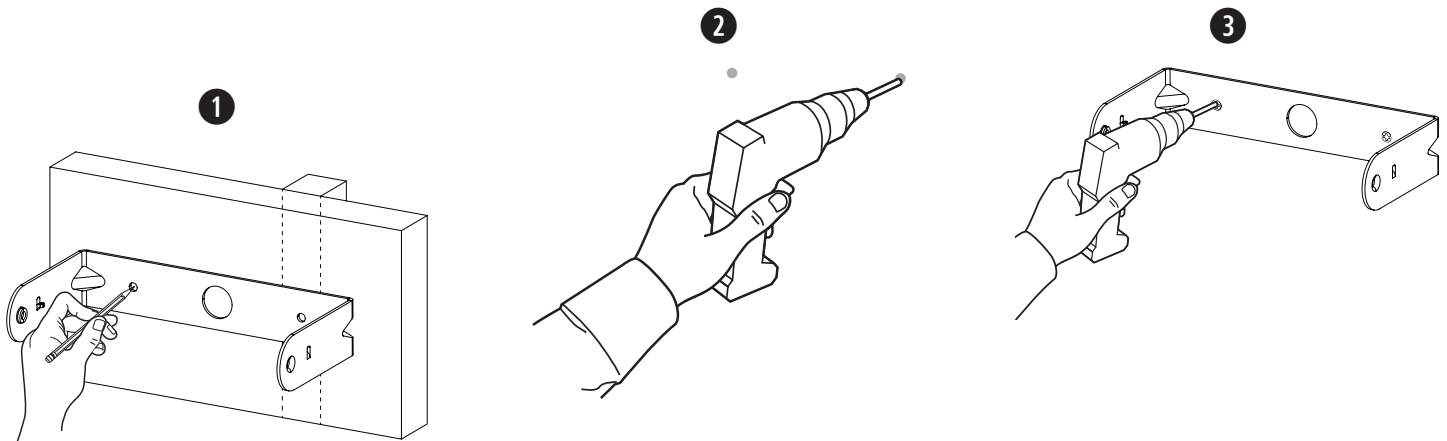


De beugel bevestigen

Opmerking: Ten minste één van de bevestigingspunten van de muurbeugel moet aan een dragende structuur worden bevestigd. Bij bevestigingspunten die niet aan een dragende structuur worden bevestigd, moet de juiste bevestigingshardware worden gebruikt. Kies bevestigingsmaterialen die aan de lokale bouwvoorschriften en -vereisten voldoen.

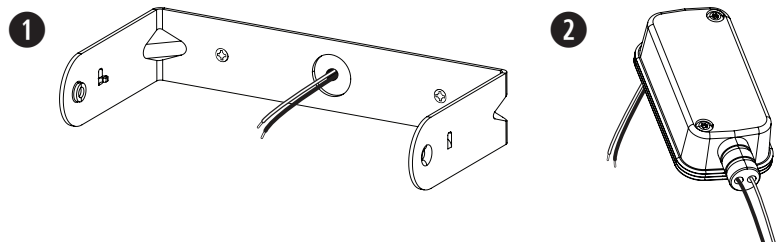
Opmerking: Kies bevestigingsmaterialen die het gewicht van de luidspreker kunnen dragen (1,63 kg).

1. Teken de boorgaten af.
2. Boor twee gaten (voor de juiste schroefdiameter) in de muur.
3. Bevestig de beugel aan de muur met twee schroeven (niet meegeleverd). **Opmerking:** Gebruik M5-schroeven of #10-24-schroeven.



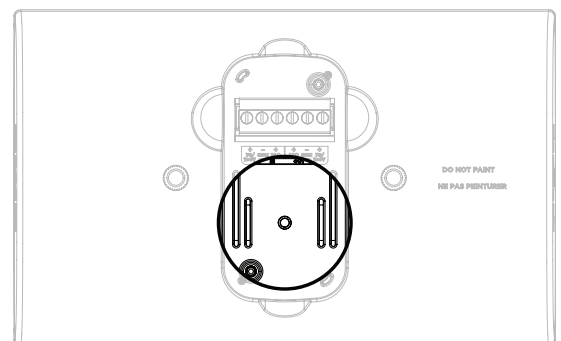
De connector bekabelen

1. Haal de kabels door de middelste opening van de beugel.
2. Haal de kabels door de onderkant van de afdekking. Raadpleeg **De afdekking voorbereiden** op pagina 39.
3. Bekabel de connector. Raadpleeg voor bekabelingsinformatie **De luidspreker bekabelen** op pagina 40.



Keramisch klemmenblok

De FreeSpace FS2SE is compatibel met een optioneel keramisch klemmenblok. Raadpleeg het schema voor de locatie van het keramische klemmenblok. Raadpleeg voor meer informatie over het keramische klemmenblok de installatiehandleiding voor keramische klemmenblokken op BoseProfessional.com.



De luidspreker installeren

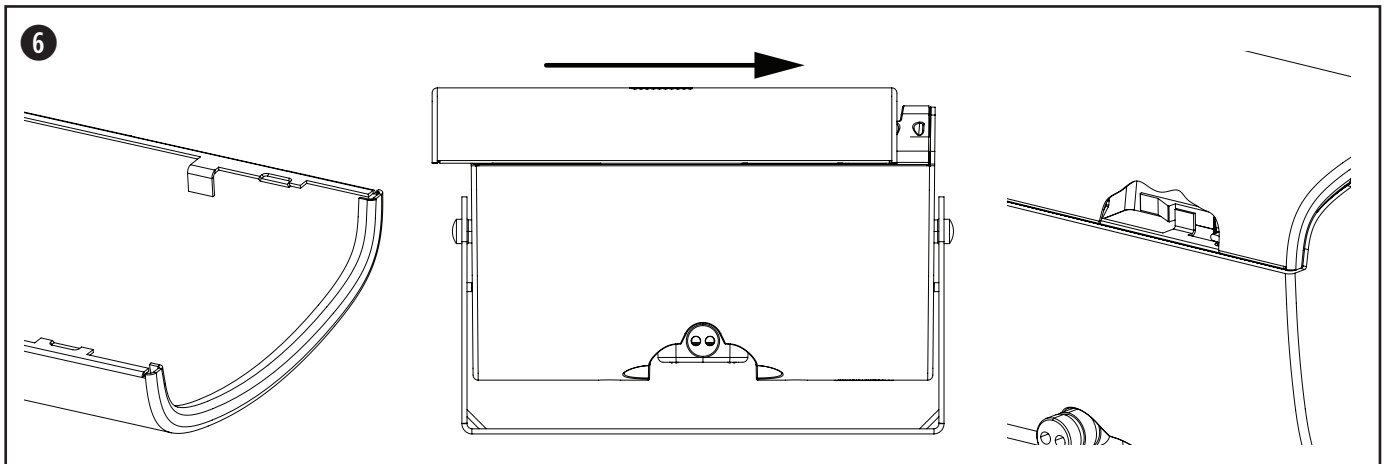
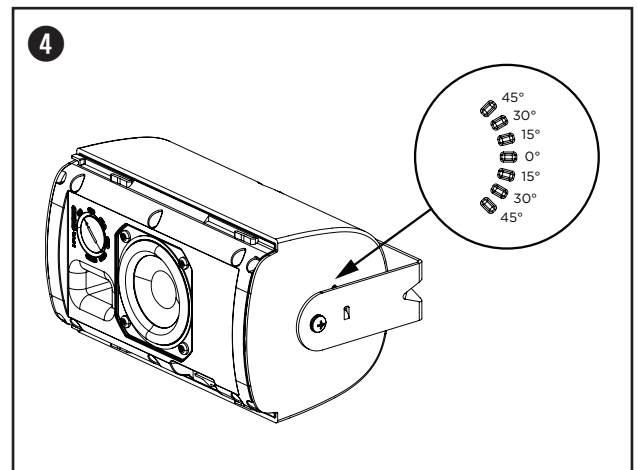
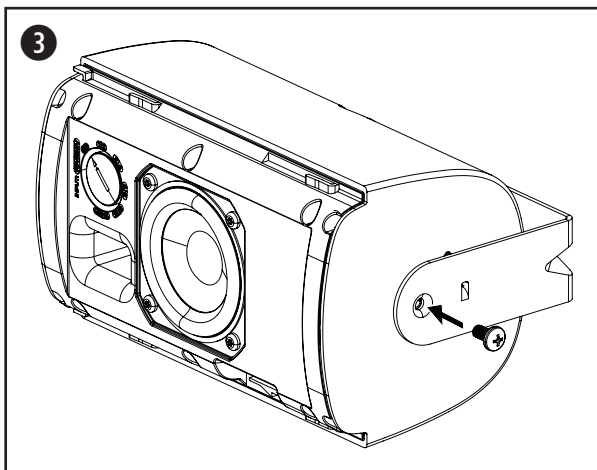
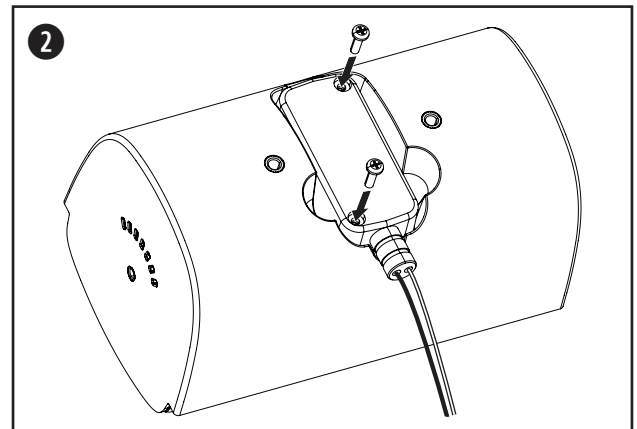
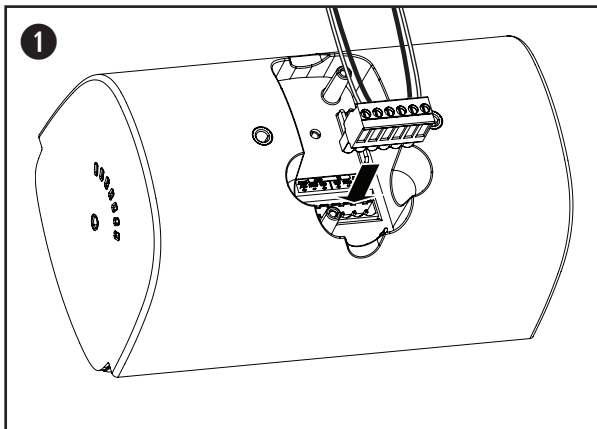


WAARSCHUWING: Het niet volgen van deze stappen kan resulteren in een onveilige bevestiging en kan een risico op vallen veroorzaken.

1. Bevestig de bekabelde connector aan de luidspreker.
2. Plaats de afdekking over de connector en druk de afdekking stevig tegen de luidspreker voor een goede afdichting. Gebruik voor het bevestigen van de afdekking de twee meegeleverde schroeven. Raadpleeg **De afdekking voorbereiden** op pagina 39.
3. Houd de luidspreker tussen de armen van de beugel en draai aan elke kant een van de meegeleverde beugelschroeven in de luidspreker.
4. Breng de pinnetjes van de bevestigingsbeugel op één lijn met de sleufjes voor de gewenste hoek en klik de beugel in de luidspreker.
Opmerking: De hoek van de luidspreker kan worden ingesteld op 0° , $\pm 15^\circ$, $\pm 30^\circ$ of $\pm 45^\circ$.
Opmerking: Bij buitentoepassingen mag de luidspreker niet omhoog zijn gericht.
5. Draai de schroeven aan beide kanten van de luidspreker vast om de luidspreker aan de beugel te bevestigen. Draai de schroeven niet te vast.

Opmerking: Voordat de grille wordt bevestigd, moet de juiste aftakking worden ingesteld. Zie **Luidsprekerinstellingen** op pagina 40.

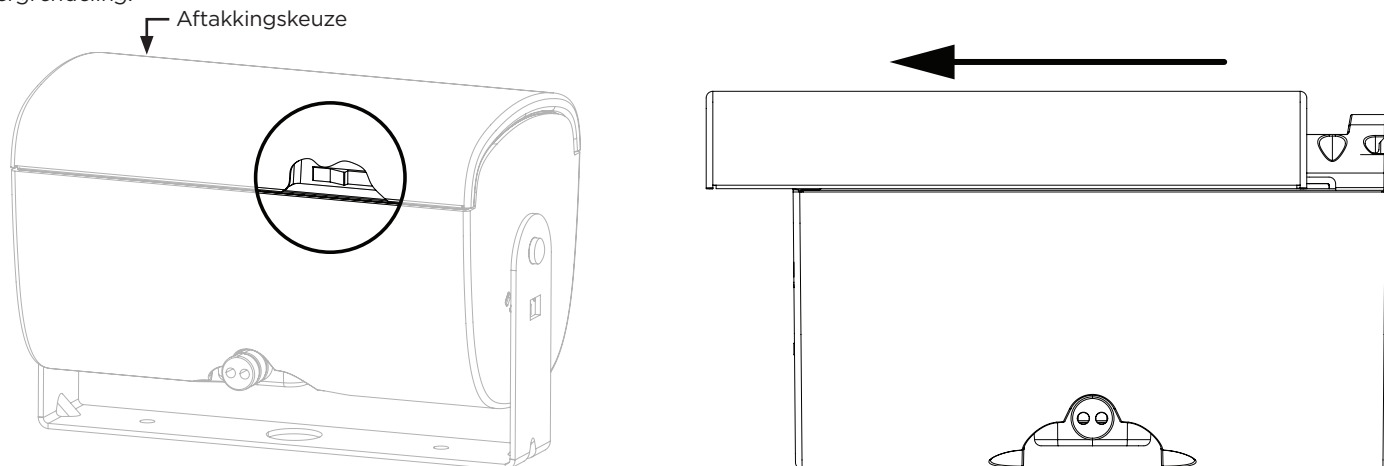
6. Kijk waar het vergrendelingslipje aan de binnenkant van de grille zit. Bevestig de grille door deze op zijn plaats te schuiven. Zorg dat het lipje van de grille vastklikt in de vergrendeling van de luidsprekerbehuizing.



De grille verwijderen

De grille is met een vergrendeling aan de luidspreker bevestigd. De grille wordt ontgrendeld door een klein stuk gereedschap (diameter maximaal 1,5 mm) in de opening van de grille te steken. Schuif terwijl u de vergrendeling indrukt de grille van de luidspreker om de grille te verwijderen.

Opmerking: De vergrendeling voor de grille zit aan de andere kant van de aftakingskeuze. Zie het schema hieronder voor de locatie van de vergrendeling.



Het logo verstellen

De FreeSpace FS2SE is voorzien van een Bose-logo voor horizontale installatie. Bij de luidspreker wordt ook een afzonderlijk logo geleverd voor verticale installatie. Trek het logo van de luidsprekergrille om dit te verwijderen. Om het verticale logo te bevestigen, houdt u boven het midden van de grille de inkepingen op de achterkant van het logo evenwijdig aan de perforaties op de grille. Druk het logo vervolgens vast op de luidsprekergrille.

Veiligheid en naleving van regelgeving

De FreeSpace FS2SE luidspreker is getest en voldoet voor onderstaande specificaties en toepassingen:

Opgenomen in ANSI/UL 1480-2016, CAN/ULC-S541

Fire Protective Signaling Use – UL Category UUMW/UUMW7, dossiernummer S 3241. Controlnummer 42S9.
Niet voor gebruik met systemen met DC-spanningsbewaking.

Geschikt voor gebruik op vochtige locaties buitenshuis.

EN 54-24: 2008, Luidspreker for Voice Alarm Systems for Fire Detection and Fire Alarm Systems for Buildings

Omgevingstype: B (buitengebruik)

Geschikt voor installatie middels bekabelingsmethoden Klasse 1, Klasse 2 of Klasse 3 conform NFPA 70, National Electric Code, 2002, artikel 640.

Geschikt voor gebruik met bekabelingsmethoden voor brandalarmen in overeenstemming met NFPA 70, National Electric Code, 2002, artikel 760.

NFPA 70, National Electric Code, 2002, artikel 300-22 (c).

NFPA 90-A, 2002, Installation of Air Conditioning and Ventilation Systems, paragraaf 4.3.10.2.6.5.

EMC-richtlijn 89/336/EEG en artikel 10 (1) van de richtlijn in overeenstemming met EN50081-1 en EN50082-1, zoals aangegeven door het CE-keurmerk.

De FreeSpace FS2SE is ontworpen volgens de vereisten die zijn vastgelegd in onderstaande specificaties van Europese regelgeving voor combinatiesystemen:

British Standard Code of Practice BS 5839, deel 8, bij gebruik met het keramische klemmenblok en thermische zekering.

Getest volgens IEC60268-5.

Nominale dekkingshoek (volgens UL 1480) Verticaal: 120°/50° bij -3 dB; 155°/25° bij -6 dB
Horizontaal: 120°/60° bij -3 dB; 155°/25° bij -6 dB

UL-gevoeligheid wattage aftakking geluidsdruk niveau dBA op 3,1 meter:

Wattage	CAN/ULC-S541 Canada		Wattage	ANSI/UL 1480-2016 VS	
	70 V	100 V		Aftakking	70 V
1 W	77,9 dBA	—	1 W	72,4 dBA	—
2 W	80,8 dBA	80,8 dBA	2 W	74,7 dBA	74,9 dBA
4 W	83,3 dBA	83,3 dBA	4 W	77,5 dBA	77,5 dBA
8 W	86,0 dBA	85,9 dBA	8 W	80,2 dBA	80,0 dBA
16 W	87,7 dBA	87,7 dBA	16 W	82,6 dBA	82,5 dBA
16 Ω	87,5 dBA	—	16 Ω	82,6 dBA	—

Opgegeven SPL's zijn volgens de in UL 1480 vermelde rapportagemethode.

Frequentierespons:


Brandalarm (UL): 95 Hz - 17000 Hz

Les og ta vare på alle sikkerhets- og bruksinstruksjoner.


Dette produktet skal bare monteres av profesjonelle montører! Formålet med dette dokumentet er å gi profesjonelle montører grunnleggende monterings- og sikkerhetsveiledning for dette produktet i typiske fastmonteringsystemer. Les dette dokumentet og alle sikkerhetsadvarsler før du starter monteringen.


Ikke prøv å utføre vedlikehold på dette produktet selv. Henviss alt vedlikehold til autoriserte servicesentre, montører, teknikere, forhandlere eller distributører. Hvis du vil kontakte Bose Professional eller finne en forhandler eller distributør i nærheten, gå du til **BoseProfessional.com**.


1. Les disse instruksjonene.
2. Ta vare på disse instruksjonene.
3. Ta hensyn til alle advarsler.
4. Følg alle instruksjoner.
5. Ikke blokker ventilasjonsåpninger. Plasser i henhold til produsentens instruksjoner.
6. Ikke plasser produktet nær varmekilder som radiatorer, ventilasjonsgitter, ovner eller andre apparater (inkludert forsterkere) som produserer varme.
7. Bare bruk fester/tilbehør som er angitt av produsenten.



ADVARSLER/FORHOLDSREGLER



 Dette produktet inneholder magnetisk materiale. Kontakt en lege hvis du vil finne ut om dette kan påvirke implantert medisinsk utstyr.

 Inneholder små deler som kan utgjøre en kvelningsfare. Ikke egnet for barn under 3 år.

- Det er montørens ansvar å bruke et støttesystem som har tilstrekkelig motstand mot vind for å samsvare med gjeldende forskrifter og standarder.
- Alle Bose Professional-produkter må monteres i henhold til bransjeforskrifter og lokale og nasjonale forskrifter. Det er montørens ansvar å sikre at monteringen av høyttalerne og monteringsystemet utføres i henhold til alle gjeldende forskrifter, inkludert lokale byggeforskrifter og bestemmelser. Kontakt de lokale myndighetene som har domsmyndighet før du monterer dette produktet.
- Utrygg montering eller opphenging av tunge gjenstander kan forårsake alvorlig skade eller død, samt skade på eiendom. Det er montørens ansvar å vurdere påliteligheten til alle monteringsmetodene de bruker. Takmonterte høyttalere skal bare monteres av profesjonelle montører med kunnskap om det riktige utstyret og trygge monteringsmetoder.
- Må ikke monteres på overflater som ikke er solide, eller som har skjulte færemomenter bak seg, for eksempel elektriske kabler eller rør. Sørg for at braketten er montert av en kvalifisert montør og i henhold til lokale retningslinjer.
- Bruk bare utstyret og tilbehøret som følger med, eller som er spesifisert av Bose Professional for bruk med FreeSpace FS2SE-høyttalere. Jernvare for å feste høyttaleren til overflaten er ikke inkludert. Hvis du vil ha informasjon om kompatibelt tilbehør, kan du se produktets tekniske dataark på **BoseProfessional.com**.
- Hold produktet unna ild og andre varmekilder. Ikke plasser kilder til bar ild, for eksempel tente stearinlys, på eller nær produktet.
- Ikke foreta uautoriserte endringer på dette produktet.
- FreeSpace FS2SE-veggmonteringsbraketten kan kun brukes med FS2SE-modellen.
- Ikke eksponer høyttaleren eller monteringskomponentene for kjemikalier som ikke er spesifisert av Bose Professional, inkludert, men ikke begrenset til, smøremidler, rengjøringsmidler, kontaktsprayer eller andre hydrokarbonbaserte oppløsningsmidler. Slike midler kan forårsake at plastmaterialet brytes ned, som igjen kan forårsake sprekker og at høyttaleren faller ned.
- Bruk bare en tørr klut når du skal rengjøre høyttalerne. Ikke bruk såpe, vaskemiddel, mineralolje, alkohol eller andre rengjøringsmidler eller kjemikalier når du rengjør høyttaleren.

Produktklassifisering:

Inngangsspenning: 70/100 V

Impedans: 16 Ω, 16 W

Strøm eller effekt: (70 V): 1W, 2W, 4W, 8W, 16W; (100 V): 2W, 4W, 8W, 16W

Informasjon om forskrifter**Ikke mal eller endre utførelse som er gjort av fabrikk.**

Produktet overholder alle kravene i gjeldende EU-direktiver. Du finner den fullstendige samsvarserklæringen på: www.Bose.com/compliance.



Dette produktet er i samsvar med alle gjeldende bestemmelser om elektromagnetisk kompatibilitet for 2016 og alle andre gjeldende bestemmelser i Storbritannia. Den fullstendige samsvarserklæringen finner du på www.Bose.com/compliance



Dette symbolet betyr at produktet ikke må kasseres som husholdningsavfall, og at det skal leveres til en passende innsamlingsanlegg for gjenvinning. Riktig håndtering og gjenvinning bidrar til å beskytte naturressurser, helse og miljø. Hvis du vil ha mer informasjon om avfallshåndtering og resirkulering av dette produktet, kontakter du de lokale myndighetene, avfallsorganisasjonen eller butikken hvor du kjøpte dette produktet.

Produksjonsdato: Det åttende tallet i serienummeret viser produksjonsåret: 7 er 2007 eller 2017.

Importør i Kina: Bose Electronics (Shanghai) Company Limited, Part C, Plant 9, No. 353 North Riyang Road, Kina (Shanghai) pilotfri handelssone

Importør i EU: Bose Products B.V., Gorslaan 60, 1441 RG Purmerend, Nederland

Importør i Mexico: Bose de México, S. de R.L. de C.V., Paseo de las Palmas 405-204, Lomas de Chapultepec, 11000 México, D.F. For informasjon om importør og service: +5255 (5202) 3545

Importør i Taiwan: Bose Taiwan Branch, 9F-A1, No. 10, Section 3, Minsheng East Road, Taipei City 104, Taiwan. Telefonnummer: +886-2-2514 7676

Importør for Storbritannia: Bose Limited, Bose House, Quayside Chatham Maritime, Chatham, Kent, ME4 4QZ, Storbritannia

Bose er et varemerke for Bose Corporation.

FreeSpace er et varemerke for Transom Post OpCo LLC.

Bose Corporation, Framingham, MA 01701, U.S.A. 1-877-230-5639

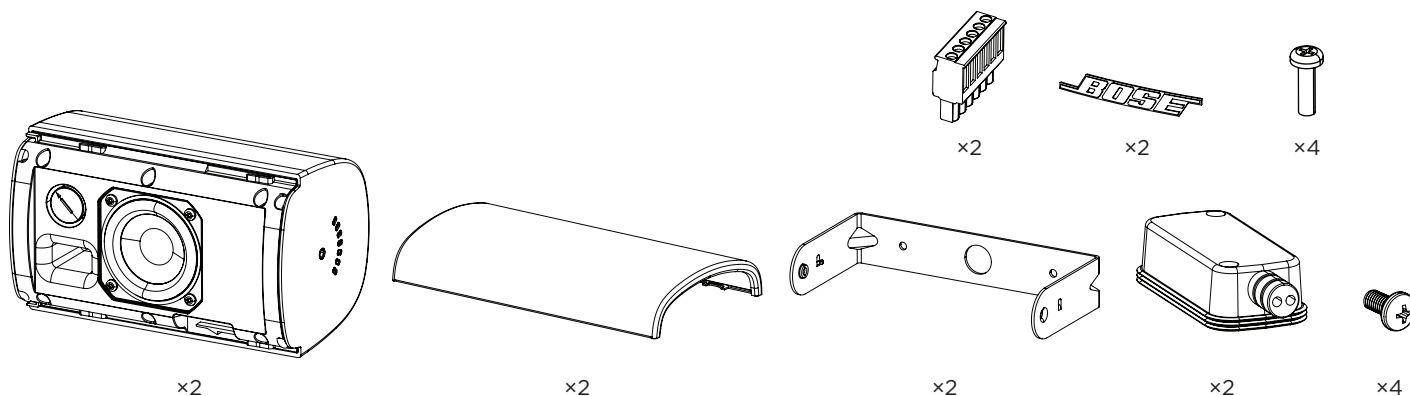
©2023 Transom Post OpCo LLC. Ingen del av dette arbeidet kan bli reproduisert, endret, distribuert eller på annen måte brukt uten skriftlig tillatelse på forhånd.

Garantiinformasjon

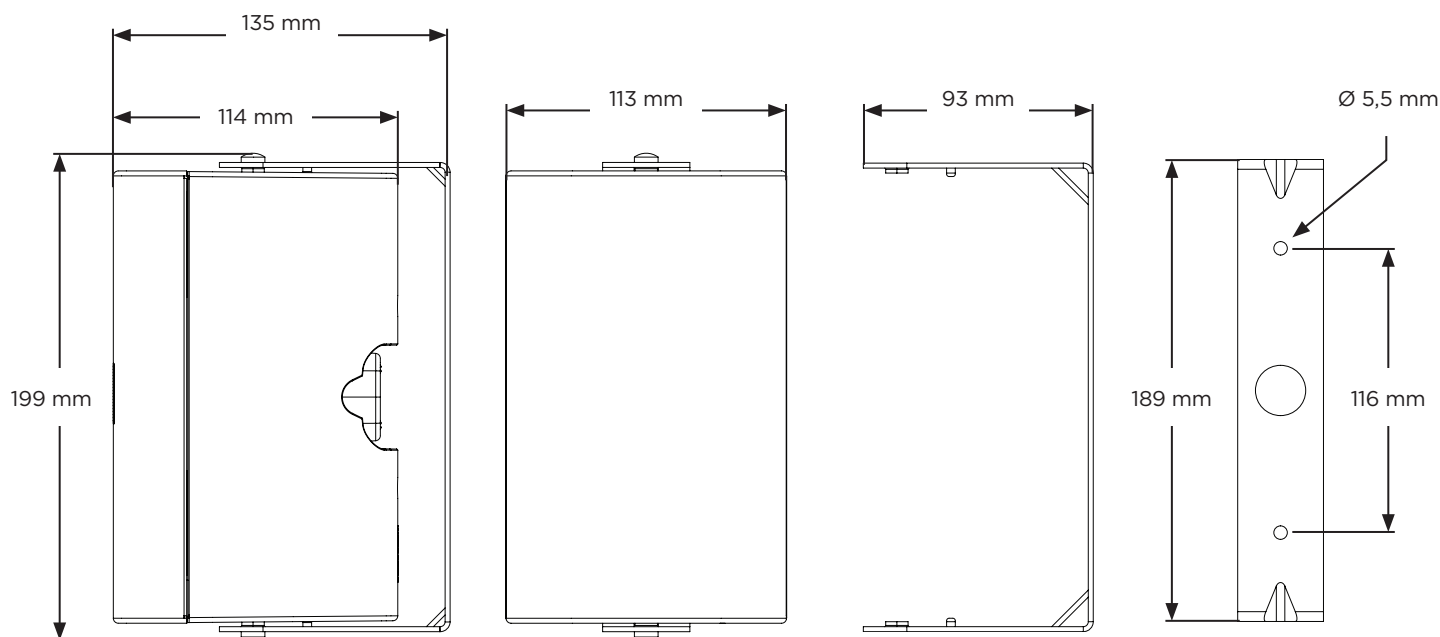
Dette produktet er dekket av en begrenset garanti.

Hvis du vil ha informasjon om garanti, gå du til BoseProfessional.com/Warranty.

Innhold i pakken



Produktmål



Tekniske spesifikasjoner

Hvis du vil ha flere spesifikasjoner, kan du se det tekniske dataarket for FreeSpace FS2SE på BoseProfessional.com. For EN 54-24-spesifikasjoner (inkludert obligatorisk ekstern EQ) kan du se FreeSpace FS2SE EN 54-24-sertifiserte klassifiseringer (AM857612 Rev. 01) på BoseProfessional.com.

Fysisk	
Produktmål	Høyde: 199 mm (7,83 tommer)
	Bredde: 113 mm (4,45 tommer)
	Dybde: 135 mm (5,31 tommer)
Nettvekt, Høytaler med grill og brakett (enkel)	3,60 lb (1,63 kg)
Forsendelsesvekt (par)	9,20 lb (4,17 kg)
Utendørs	Kan brukes utendørs på våte steder med værbestandig deksel (IP55 i henhold til EN60529, IP33C i henhold til EN 54-24). Aluminiumsgrill som tilleggsutstyr til tøffe forhold for å forhindre rust er tilgjengelig.

Viktig informasjon om montering

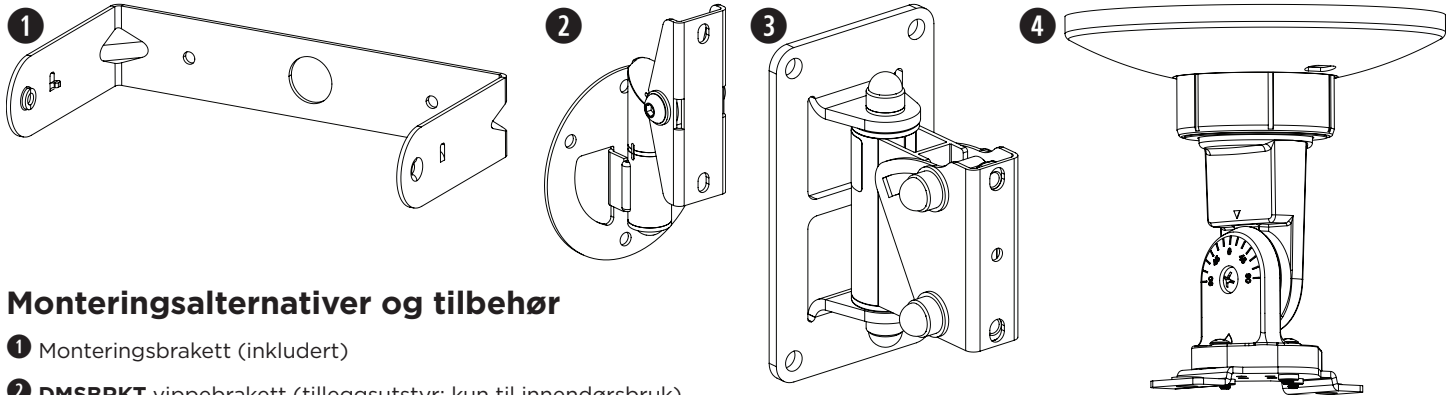


Før du monterer høyttaleren, må du se gjennom **Viktige sikkerhetsinstruksjoner** på side 44.



I forbindelse med **brann- og evakueringsvarslinger** er den miljøklassifisert for IP33C i henhold til EN 54-24. For **lydinstallasjon til generell bruk** er den miljøklassifisert for IP55 i henhold til EN60529.

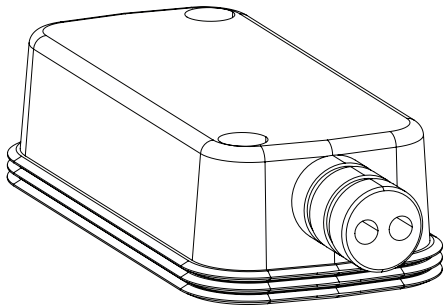
Monteringsalternativer



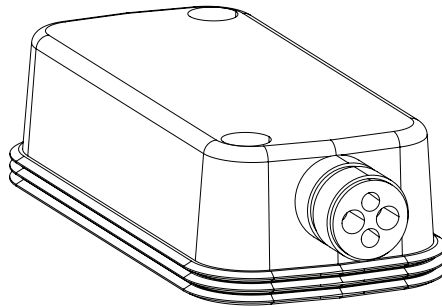
Monteringsalternativer og tilbehør

- 1 Monteringsbrakett (inkludert)
- 2 DMSBRKT vippebrakett (tilleggsutstyr; kun til innendørsbruk)
- 3 WBPWR-50 vippebrakett (valgfritt; til utendørsbruk)
- 4 CMBS2 takmonteringsbrakett (valgfri; kun for bruk innendørs)

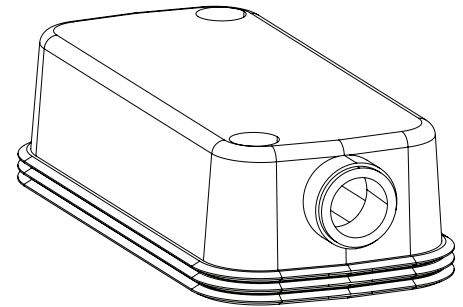
Enkel inngang



Inngang og utgang



Helt åpen



Klargjøre inngangsdekselet

Inngangsdekselet er utformet for tre forskjellige ledningsoppsett (se ovenfor). Hvis du vil endre oppsettet av inngangsdekselet for å støtte ledningsoppsettet ditt, kan du skjære langs perforeringen på gummirøret. Bruk en 1/2- til 1/2-tommers gjenget kobling og to 3/8-tommers rørforbindelser for 1/2-tommers knockouter (se diagrammet nedenfor).

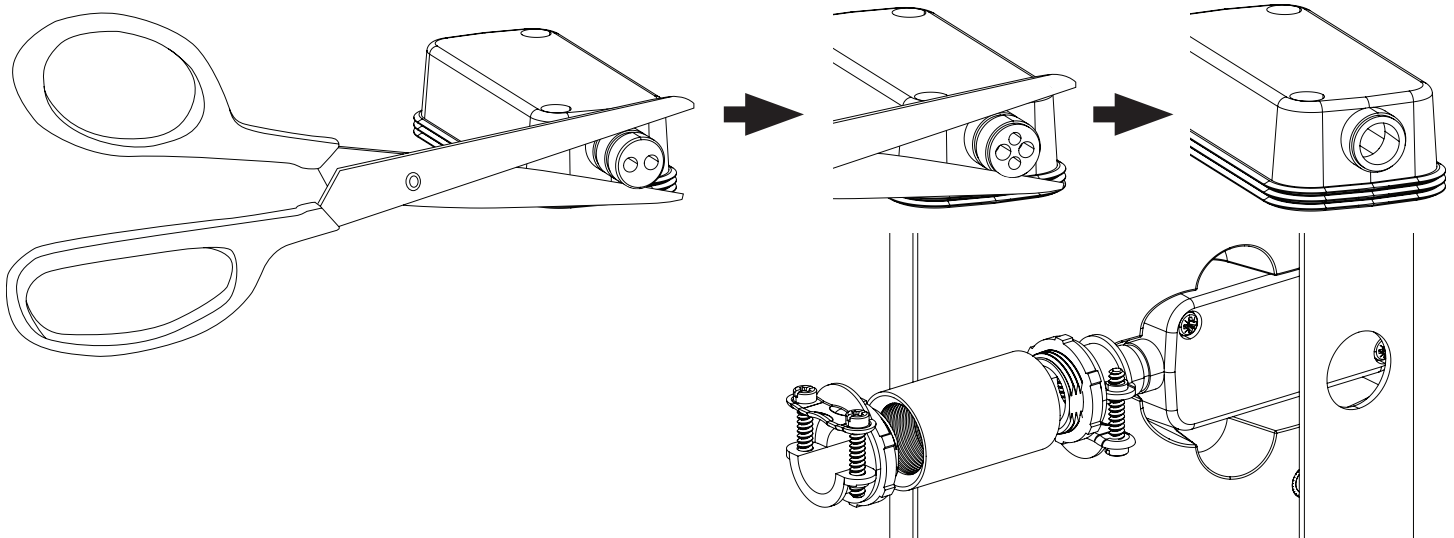


FORSIKTIG: Ikke bruk det brede, åpne ledningsscenariotet når du monterer inngangsdekselet med et fleksibelt rør.

FORSIKTIG: For å unngå at det kommer inn vann, må du ikke montere dekselet oppover.

Merk: Det er montørens ansvar å forsegle mot vanninntrenging i Euroblock-kontakten. Benytt silikon til utendørs eller maritim bruk for å tette alle koblinger for å få en tett forsegling.

Merk: Fleksible rør og koblinger må være UL-listet, egnet for bruksområdet og installeres i henhold til lokale myndigheter som har jurisdiksjon.



Kable høyttaleren

Kabeldiameter

FreeSpace FS2SE-høyttaleren er utformet for å fungere kun med kabler på mellom 18 AWG (0,8 mm²) til 14 AWG (2,1 mm²).

Koblingsdiagrammer

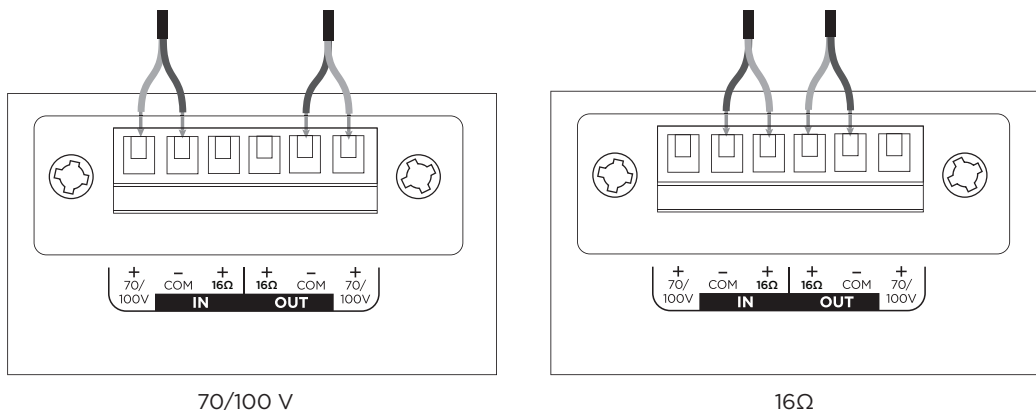
Eksponer seks millimeter (¼-tommer) av ledningen for å feste til terminalene.

Merk: Høyttaleren er ikke sertifisert for bruk med et stivt rør. Høyttaleren passer kun med et fleksibelt rør- eller en ledningskobling.

Merk: Kablingsmetoden må gjøres i henhold til:

I Canada, CSA C22.1, Canadian Electrical Code, Part I, Safety Standard for Electrical Installations, Section 32;

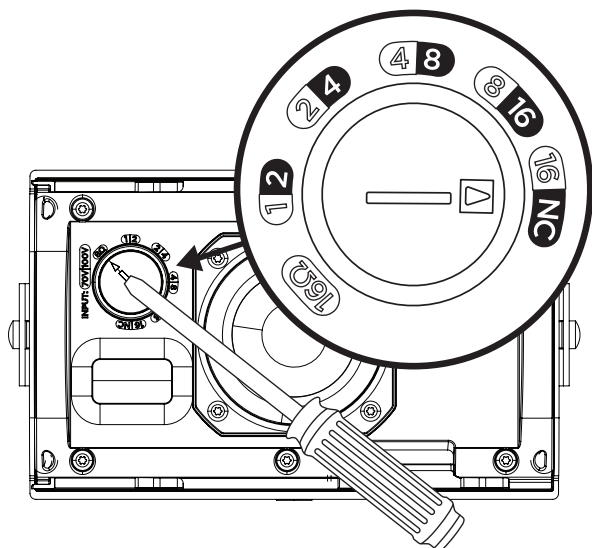
I USA, The National Electrical Code, NFPA 70, og National Fire Alarm and Signaling Code, NFPA 72.



70/100 V

16Ω

Høyttalerinnstillinger



70 V					
1W	2 W	4W	8W	16 W*	16Ω
2 W	4W	8W	16W	NC**	
100 V					

* Fabrikstandard

** NC: Ingen tilkobling (ikke bruk)

Innstilling av omformerkontakt

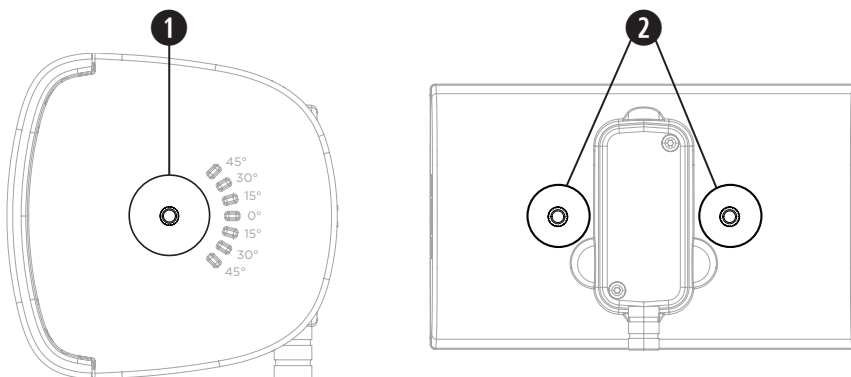
Vri for å stille inn kontakten. Bruk en skrutrekker med flatt hode.

Bruke en sikkerhetskabel

Noen regionale byggeforskrifter krever at du sikrer høyttalerne ytterligere ved hjelp av en sekundær sikringsmetode. Velg monteringssted, -metode- og -utstyr som samsvarer med lokale byggeforskrifter og bestemmelser.

En sikkerhetskabel kan festes til høyttaleren ved å bruke låsgjengen bak på eller på siden av kabinetet. Hvis du monterer høyttaleren ved hjelp av monteringsbraketten som følger med, må du bruke du en av de bakre låsgjengene (2). Hvis du monterer høyttaleren med en av de valgfrie tilbehørsbrakettene (se side 4), må du bruke en av låsgjengene på siden (1). Se diagrammet til høyre for å se punkter om sikkerhetsfeste.

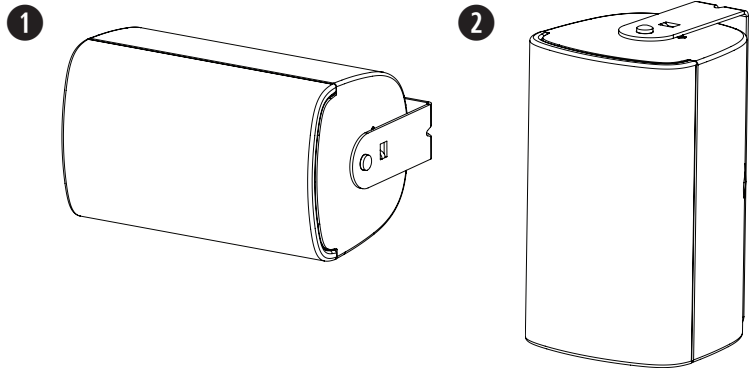
Låsgjengen på siden (1) kan brukes med en M5-skrue (ikke inkludert) med en dybde på 11 millimeter. De bakre låsgjengene (2) kan brukes med M6-skruer med en dybde på 12 millimeter.



Høytalerretning

Velg høytalerretningen som passer best til monteringen din.

- ① Horisontal
- ② Vertikal

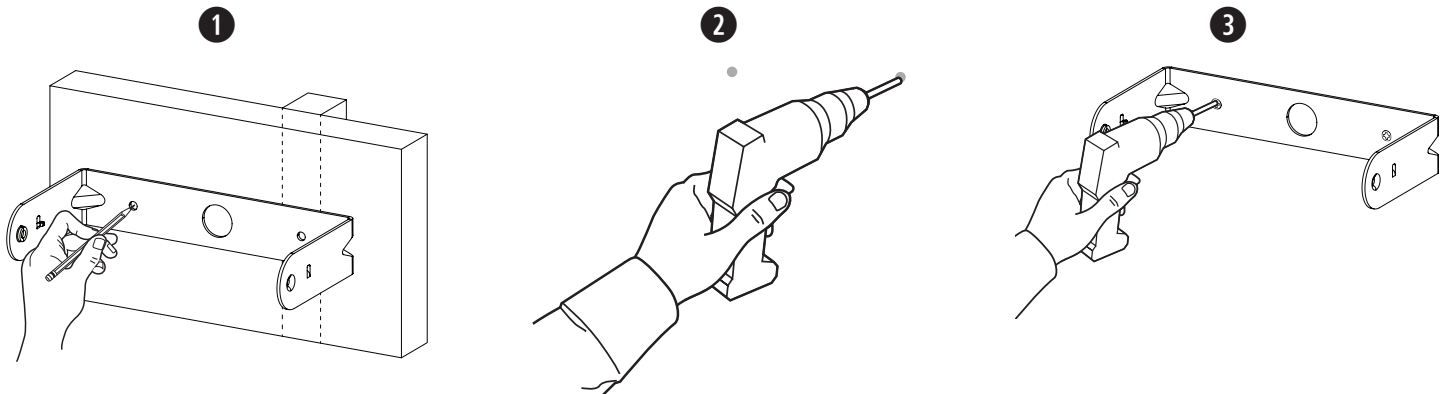


Montere braketten

Merk: Når du velger monteringssted, må minst ett av festepunktene til monteringsbraketten være festet til en støttestruktur. Festepunkter som ikke er festet til en støttestruktur, må festes med bruk av egnet jernvare til monteringen. Velg festeanordninger som samsvarer med alle lokale byggeforskrifter og krav.

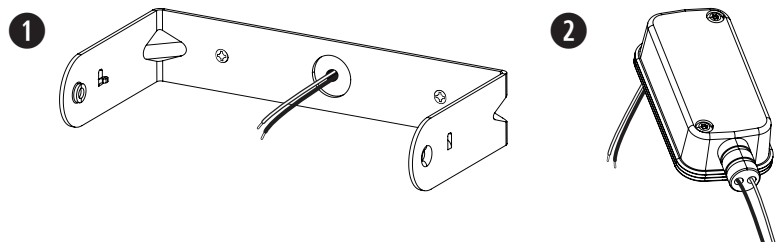
Merk: Velg egnede festeanordninger som støtter vekten til høytalerne (1,63 kg).

1. Marker borehull.
2. Bor to hull (i egnet størrelse til festeanordninger) i veggen.
3. Fest braketten til veggen med to skruer (ikke inkludert). **Merk:** Bruk M5-skruer eller #10-24-skruer.



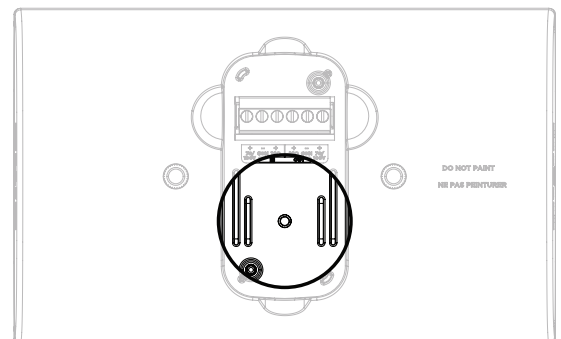
Føre ledninger til kontakten

1. Trekk ledningene gjennom hullet i midten av braketten.
2. Før ledningene gjennom bunnen av inngangsdekselet. Se **Klargjøre inngangsdekselet** på side 46.
3. Sett ledningene i kontakten. Hvis du vil ha mer informasjon om kabling, kan du se **Kable høytaleren** på side 47.



Keramikkfestepunkt

FreeSpace FS2SE er kompatibel med ett valgfritt keramikkfestetilbehør. Se diagrammet for plasseringen av keramikkfestepunktet. Hvis du vil ha mer informasjon om keramikkfestet, kan du se monteringsveiledningen for keramikkfestet på BoseProfessional.com.

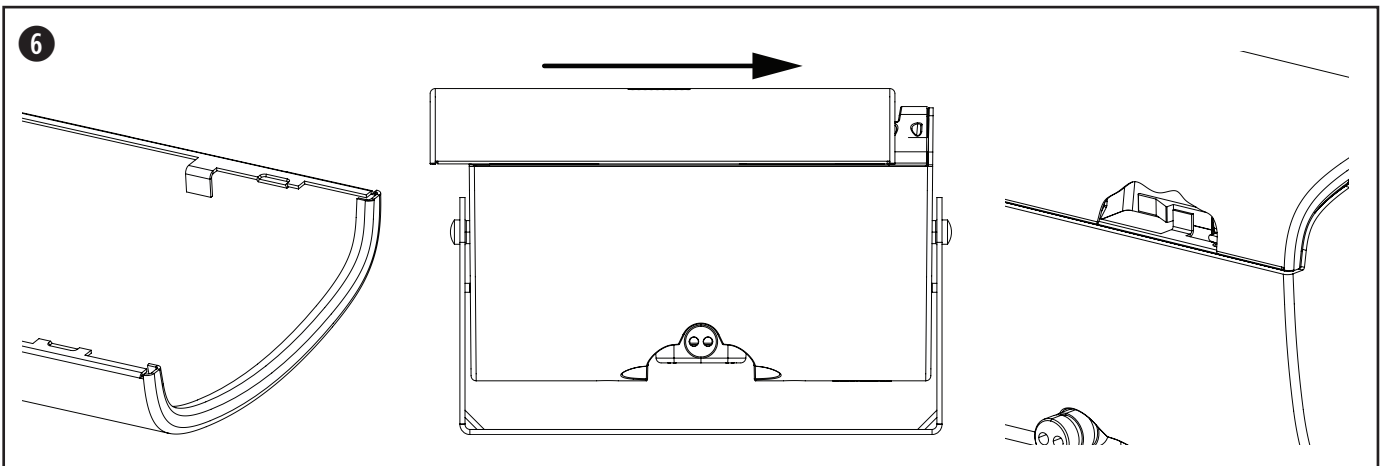
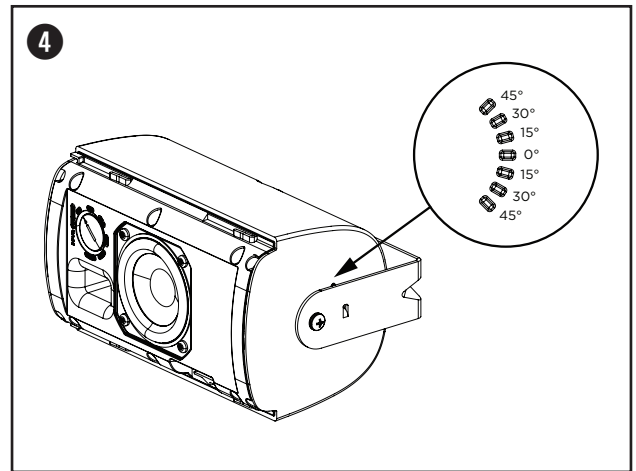
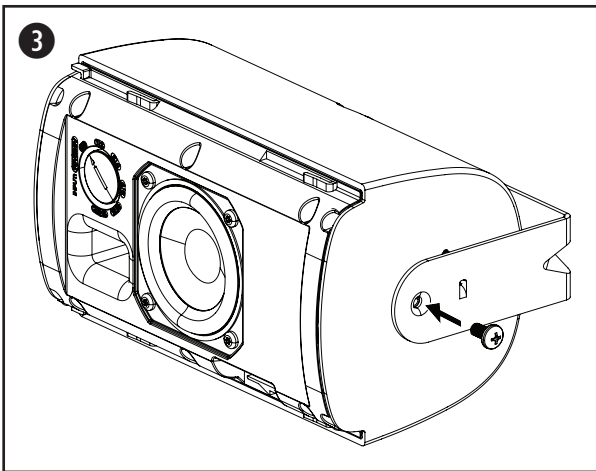
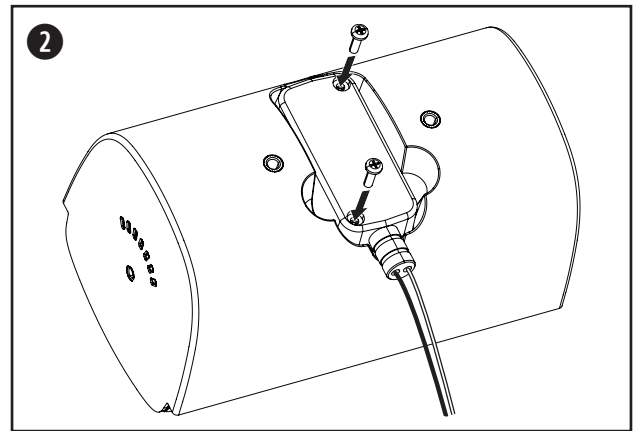
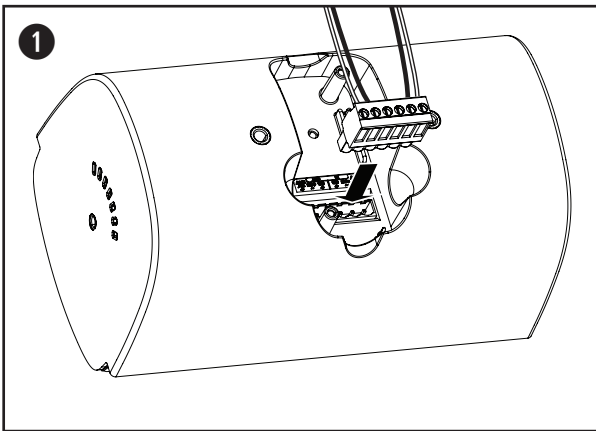


Montering av høyttaleren



ADVARSEL: Hvis du ikke følger trinnene nedenfor, kan du få en utrygg montering, som kan føre til at høyttaleren faller ned.

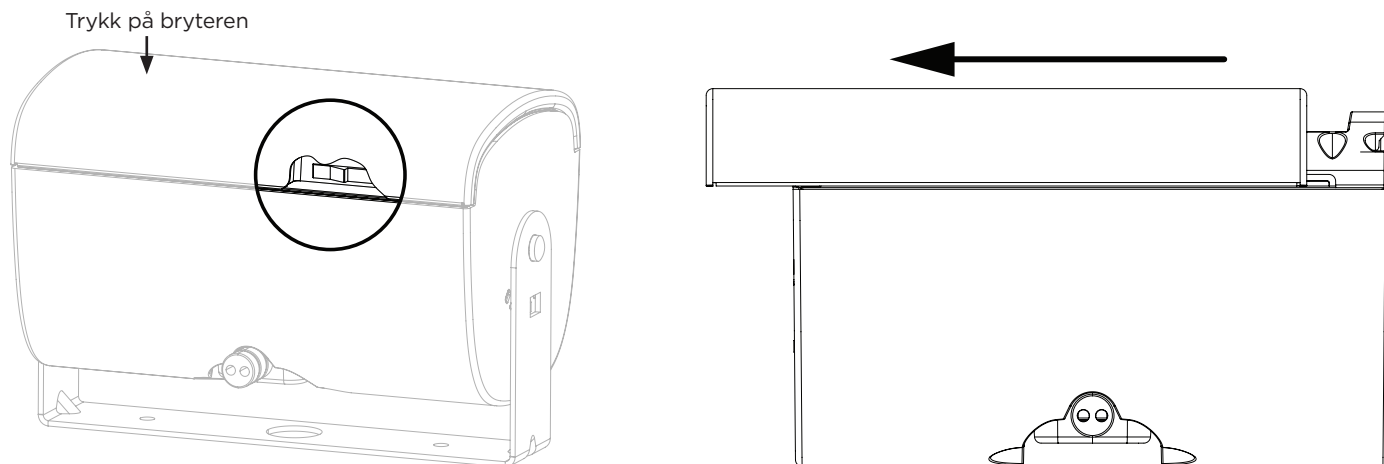
1. Fest den tilkoblede kontakten til høyttaleren.
 2. Plasser inngangsdekselet over kontakten og trykk det godt mot høyttaleren for å skape en tett forsegling. Fest inngangsdekselet med de to medfølgende skruene til inngangsdekselet. Se **Klargjøre inngangsdekselet** på side 46.
 3. Hold høyttaleren mellom brakettarmene, og sett inn en av de medfølgende brakettskruene på hver side av høyttaleren ved hjelp av låsgjengene.
 4. Juster pinnene på monteringsbraketten etter vinkelsporene som passer til installasjonen, og fest braketten til høyttaleren.
Merk: Vinkelen til høyttaleren kan justeres til 0° , $\pm 15^\circ$, $\pm 30^\circ$, or $\pm 45^\circ$.
Merk: I forbindelse med utendørs bruk må du ikke montere høyttaleren i en oppovervendt retning.
 5. Stram skruene på begge sider av høyttaleren for å feste høyttaleren til monteringsbraketten. Ikke overtrekk skruen.
- Merk:** Før du fester grillen, må du justere høyttalerens innstillinger til ønsket nivå for monteringen. Se **Høyttalerinnstillinger** på side 47.
6. Finn den utvidede grilltappen på innsiden av grillen. Fest grillen ved å skyve den på plass. Pass på at den utvidede grilltappen festes til grilllåsen på høyttalerkabinettet.



Fjerne grillen

Grillen er festet til høyttaleren ved hjelp av grilllåsen. Løsne grilllåsen ved å sette et lite verktøy gjennom perforeringen til grillen (ikke større enn 1,5 millimeter i diameter). Mens du trykker på grilllåsen, skyver du grillen bort fra høyttaleren for å løsne den.

Merk: Grilllåsen er plassert på høyttaleren på motsatt side av bryteren. Se diagrammet nedenfor for plassering av grilllåsen.



Justere logoen

FreeSpace FS2SE leveres med en forhåndsinstallert Bose-logo for horisontal montering. Høyttaleren leveres også med en egen logo for vertikal montering. Hvis du vil fjerne logoen, må du dra den av høyttalergrillen. Hvis du vil bruke den vertikale logoen, finner du midten av grillen og justerer hakkene på baksiden av logoen etter perforeringen i grillen. Trykk for å feste den til høyttalergrillen.

Samsvar med sikkerhet og forskrifter

FreeSpace FS2SE-høyttaleren har bestått tester og samsvarer med følgende spesifikasjoner og bruksområder:

Oppført i ANSI/UL 1480-2016, CAN/ULC-S541

Fire Protective Signaling Use – UL-kategori UUMW/UUMW7, filnummer S 3241. Kontrollnummer 42S9.
Ikke til bruk med DC-overvåkede systemer.

Egnet for bruk utendørs på våte steder.

EN 54-24: 2008, høyttaler til alarmsystemer for brannregistrering og brannalarmsystemer i bygninger

Miljøtype: B (utendørs bruk)

Kan brukes til montering ved hjelp av kablingsmetoder i klasse 1, klasse 2 eller klasse 3, i samsvar med NFPA 70, National Electric Code, 2002, artikkel 640.

Kan brukes ved hjelp av kabelmetoder for brannalarm, i samsvar med NFPA 70, National Electrical Code, 2002, artikkel 760

NFPA 70, National Electrical Code, 2002, artikkel 300-22(c).

NFPA 90-A, 2002, montering av klimaanlegg og ventilasjonssystemer, paragraf 4.3.10.2.6.5.

EMC-forskrift 89/336/EEC og artikkel 10 (1) av forskriften, EN50081-1 og EN50082-1 som vist med CE-merket.

FreeSpace FS2SE er utformet i henhold til kravene som er definert i følgende europeiske forskrifter for kombinasjonssystemer:

British Standard Code of Practice BS 5839, Part 8, ved bruk med den keramiske terminalblokken og den termiske sikringen.

Testet i samsvar med IEC60268-5.

Nominell dekningsvinkel (per UL 1480) Vertikal: 120°/50° ved -3 dB; 155°/25° ved -6 dB
Horisontal: 120°/60° ved -3 dB; 155°/25° ved -6 dB

Ul-wattfølsomhet for lydtryknivå i dBA ved 3,1 meter:

Watt	CAN/ULC-S541 Canada	
	70 V	100 V
Trykk på		
1 W	77,9 dBA	—
2 W	80,8 dBA	80,8 dBA
4 W	83,3 dBA	83,3 dBA
8 W	86,0 dBA	85,9 dBA
16 W	87,7 dBA	87,7 dBA
16 Ω	87,5 dBA	—

Watt	ANSI/UL 1480-2016 USA	
	70 V	100 V
Trykk på		
1 W	72,4 dBA	—
2 W	74,7 dBA	74,9 dBA
4 W	77,5 dBA	77,5 dBA
8 W	80,2 dBA	80,0 dBA
16 W	82,6 dBA	82,5 dBA
16 Ω	82,6 dBA	—

Oppgitt SPLs er per den UL 1480-spesifiserte rapportmetoden.

Frekvensrespons:


Brannalarm (UL): 95 Hz til 17000 Hz

Należy zapoznać się ze wszystkimi zaleceniami dotyczącymi bezpieczeństwa oraz instrukcjami użytkowania i zachować je.


Instalację niniejszego produktu może przeprowadzić wyłącznie specjalista! Niniejszy dokument ma na celu dostarczenie profesjonalnym instalatorom podstawowych wskazówek dotyczących instalacji i bezpieczeństwa tego produktu w typowych, stałych instalacjach. Przed przystąpieniem do instalacji należy zapoznać się z niniejszym dokumentem i wszystkimi ostrzeżeniami dotyczącymi bezpieczeństwa.


Nie wolno serwisować urządzenia samodzielnie. Wszystkie czynności serwisowe muszą być wykonywane przez pracowników autoryzowanych centrów serwisowych, autoryzowanych instalatorów, techników, sprzedawców lub dystrybutorów. Aby skontaktować się z firmą Bose Professional, ze sprzedawcą bądź dystrybutorem w okolicy, odwiedź stronę BoseProfessional.com.


1. Należy przeczytać instrukcje.
2. Należy zachować instrukcje.
3. Należy stosować się do wszystkich ostrzeżeń.
4. Należy postępować zgodnie z instrukcjami.
5. Nie wolno blokować otworów wentylacyjnych. Urządzenie należy zainstalować zgodnie z zaleceniami producenta.
6. Nie wolno instalować urządzenia w pobliżu źródeł ciepła, takich jak kaloryfery, przewody kominowe, piece lub inne urządzenia wydzielające ciepło (np. wzmacniacze).
7. Należy korzystać wyłącznie z dodatków i akcesoriów zalecanych przez producenta.



OSTRZEŻENIA/PRZESTROGI



 Produkt zawiera elementy magnetyczne. Aby dowiedzieć się, czy mogą one mieć wpływ na funkcjonowanie implantów medycznych, należy skonsultować się z lekarzem.

 Produkt zawiera drobne elementy, które mogą spowodować niebezpieczeństwo zadławienia. Nie jest on odpowiedni dla dzieci w wieku poniżej 3 lat.

- Instalator musi korzystać z rusztowania, które ma wystarczającą odporność na działanie wiatru i spełnia obowiązujące przepisy i normy.
- Wszystkie produkty Bose Professional muszą być instalowane zgodnie z przepisami lokalnymi, krajowymi, federalnymi i branżowymi. Instalator jest zobowiązany zainstalować głośniki i system montażowy zgodnie ze wszystkimi obowiązującymi regulaminami, w tym regulaminami i przepisami obowiązującymi w budynku. Przed instalacją produktu należy skonsultować się z odpowiednimi władzami.
- Niebezpieczny montaż lub podwieszenie ciężkiego ładunku może spowodować poważne obrażenia lub śmierć oraz uszkodzenie mienia. Do obowiązków instalatora należy ocena niezawodności każdej metody montażu stosowanej w tym przypadku. Montaż podwieszanych głośników może być przeprowadzany wyłącznie przez profesjonalnych instalatorów posiadających wiedzę o odpowiednim sprzęcie i bezpiecznych technikach montażu.
- Nie montować uchwytu na powierzchniach niewystarczająco solidnych lub stwarzających zagrożenia związane z przykładem z instalacją elektryczną lub hydrauliczną. Uchwyt powinien zamontować wykwalifikowany instalator z zachowaniem lokalnych przepisów budowlanych.
- Należy używać wyłącznie sprzętu i akcesoriów dostarczonych lub określonych przez firmę Bose Professional jako odpowiednie do głośników FreeSpace FS2SE. Elementy mocujące głośnik do powierzchni montażowej nie są dołączone do zestawu. Informacje na temat zgodnych akcesoriów można znaleźć w arkuszu danych technicznych produktu pod adresem BoseProfessional.com.
- Produkt musi być umieszczony z dala od ognia i źródeł ciepła. Na urządzeniu lub w jego pobliżu nie należy umieszczać źródeł otwartego ognia, np. zapalonych świec.
- Nie wolno dokonywać modyfikacji produktu bez zezwolenia.
- Wspornik do montażu ściennego FreeSpace FS2SE jest przeznaczony wyłącznie do modelu FS2SE.
- Nie wolno narażać głośnika lub elementów montażowych na działanie substancji chemicznych, które nie zostały dozwolone przez firmę Bose Professional, w tym m.in. środków smarnych i czyszczących, środków do ochrony instalacji elektrycznych oraz rozpuszczalników na bazie węglowodorów. Narażenie na działanie takich substancji może prowadzić do degradacji materiałów plastikowych, a w rezultacie do pęknięcia i stworzenia zagrożenia upadkiem.
- Głośniki należy czyścić wyłącznie suchą szmatką. Nie należy wystawiać głośnika na działanie mydła, detergentów, oleju mineralnego, alkoholu ani innych środków czyszczących lub chemikaliów.

Klasyfikacja produktu:

Napięcie wejściowe: 70 V / 100 V

Impedancja: 16 Ω, 16 W

Prąd lub moc: (70 V): 1 W, 2 W, 4 W, 8 W, 16 W; (100 V): 2 W, 4 W, 8 W, 16 W

Informacje prawne

Nie wolno zamalowywać ani modyfikować fabrycznie naniesionych wykończeń.



Ten produkt jest zgodny ze wszystkimi obowiązującymi wymaganiami dyrektywy UE. Pełna treść Deklaracji zgodności jest dostępna w witrynie: www.Bose.com/compliance.



Ten produkt jest zgodny ze wszystkimi obowiązującymi wymaganiami dokumentu Electromagnetic Compatibility Regulations 2016 oraz wszelkimi innymi przepisami obowiązującymi w Wielkiej Brytanii. Deklaracja zgodności jest dostępna w następującej witrynie internetowej: www.Bose.com/compliance



Ten symbol oznacza, że produktu nie należy wyrzucać razem z innymi odpadkami z gospodarstwa domowego. Produkt należy dostarczyć do odpowiedniego miejsca zbiórki w celu recyklingu. Właściwy sposób utylizacji i recyklingu pomaga chronić zasoby naturalne, ludzkie zdrowie i środowisko naturalne. Aby uzyskać więcej informacji na temat utylizacji i recyklingu tego produktu, skontaktuj się z samorządem lokalnym, zakładem utylizacji odpadów albo sklepem, w którym produkt został nabyty.

Data produkcji: ósma cyfra numeru seryjnego oznacza rok produkcji, np. cyfra „7” oznacza rok 2007 lub 2017.

Importer na terenie Chin: Bose Electronics (Shanghai) Company Limited, Part C, Plant 9, No. 353 North Riyang Road, China (Shanghai) Pilot Free Trade Zone

Importer na terenie UE: Bose Products B.V., Gorslaan 60, 1441 RG Purmerend, Holandia

Importer na terenie Meksyku: Bose de México, S. de R.L. de C.V., Paseo de las Palmas 405-204, Lomas de Chapultepec, 11000 México, D.F. W celu uzyskania informacji o importerze i usługach: +5255 (5202) 3545

Importer na terenie Tajwanu: Bose Taiwan Branch, 9F-A1, No.10, Section 3, Minsheng East Road, Taipei City 104, Taiwan. Numer telefonu: +886-2-2514 7676

Importer – Wielka Brytania: Bose Limited, Bose House, Quayside Chatham Maritime, Chatham, Kent, ME4 4QZ, United Kingdom

Bose jest znakiem towarowym firmy Bose Corporation.

FreeSpace jest znakiem towarowym firmy Transom Post OpCo LLC.

Bose Corporation, Framingham, MA 01701, U.S.A. 1-877-230-5639

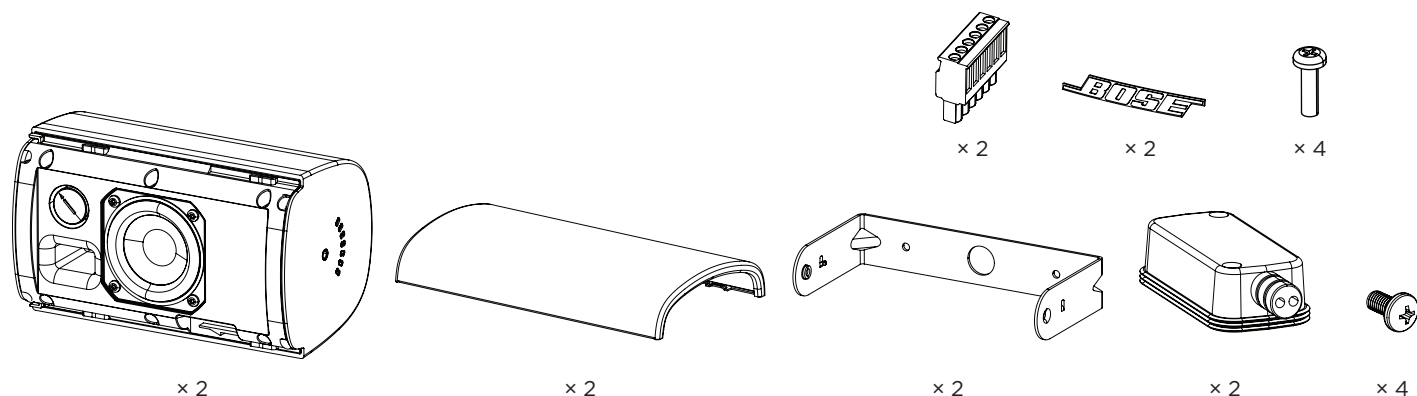
©2023 Transom Post OpCo LLC. Żadnej części tego dzieła nie wolno reprodukować, modyfikować, rozpowszechniać ani w inny sposób wykorzystywać bez uprzedniego uzyskania pisemnego pozwolenia.

Informacje o gwarancji

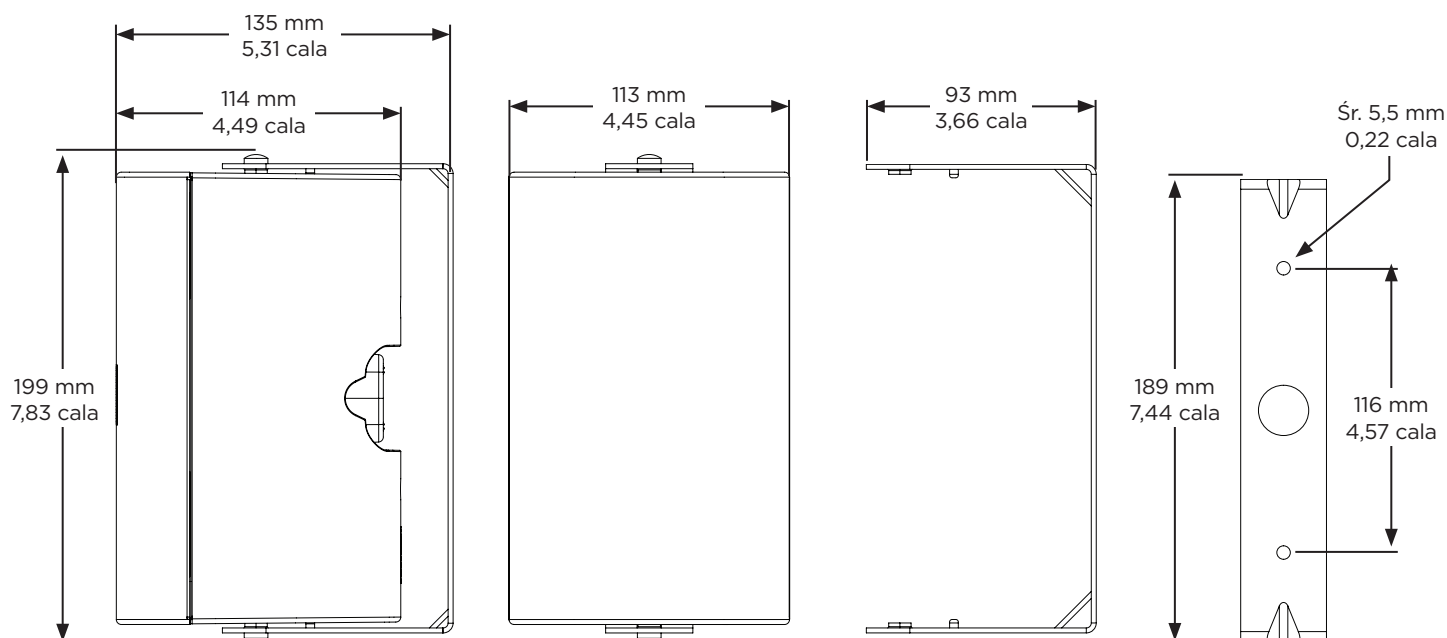
Opisywany produkt objęty jest ograniczoną gwarancją.

Szczegółowe informacje na temat gwarancji można znaleźć na stronie BoseProfessional.com/Warranty.

Zawartość opakowania



Wymiary produktu



Dane techniczne

Dodatkowe dane techniczne można znaleźć w arkuszu danych technicznych FreeSpace FS2SE na stronie BoseProfessional.com. Specyfikacja normy EN 54-24 (także dla wymaganego korektora zewnętrznego) znajduje się w certyfikacie zgodności FreeSpace FS2SE EN 54-24 (AM857612 Rev. 01) na stronie BoseProfessional.com.

Fizyczne	
Wymiary produktu	Wysokość: 199 mm (7,83 cala) Szerokość: 113 mm (4,45 cala) Głębokość: 135 mm (5,31 cala)
Waga netto — głośnik z osłoną i wspornikiem (pojedynczy)	1,63 kg (3,60 funta)
Waga przesyłki (para)	4,17 kg (9,20 funta)
Otoczenie	Nadaje się do użytku na zewnątrz w lokalizacjach o dużej wilgotności po zamontowaniu osłony wejść chroniącej przed działaniem warunków atmosferycznych (stopień ochrony IP55 zgodnie z normą EN60529; stopień ochrony IP33C zgodnie z normą EN 54-24). Dostępna jest także aluminiowa osłona jako opcjonalne akcesorium chroniące przed powstawaniem korozji w trudnych warunkach.

Ważne informacje dotyczące instalacji



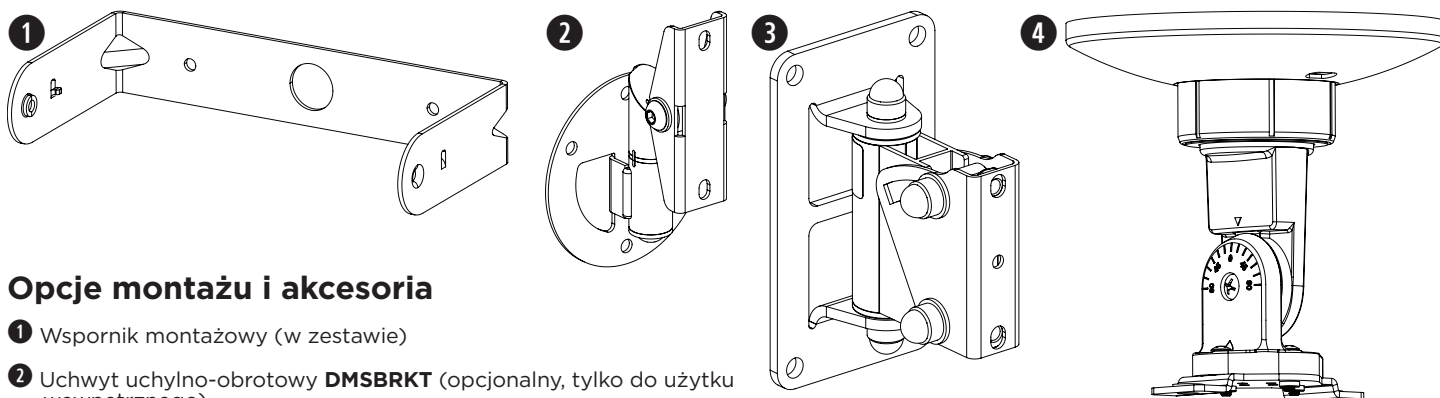
Przed rozpoczęciem montażu głośnika zapoznaj się z **Ważnymi zaleceniami dotyczącymi bezpieczeństwa** znajdującymi się na stronie 51.



Do **zastosowań w alarmach przeciwpożarowych i ewakuacyjnych** — stopień ochrony IP33C zgodnie z normą EN 54-24.

Do **zastosowań w instalacjach audio ogólnego przeznaczenia** — stopień ochrony IP55 zgodnie z normą EN60529.

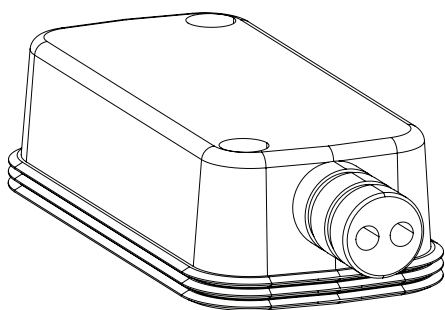
Opcje montażu



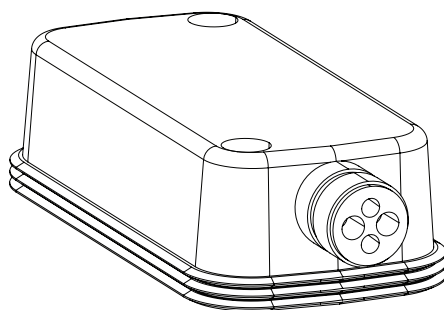
Opcje montażu i akcesoria

- 1 Wspornik montażowy (w zestawie)
- 2 Uchwyt uchylno-obrotowy **DMSBRKT** (opcjonalny, tylko do użytku wewnętrznego)
- 3 Uchwyt uchylno-obrotowy **WBPWR-50** (opcjonalny, do użytku zewnętrznego)
- 4 Uchwyt do montażu na suficie **CMBS2** (opcjonalny; tylko do użytku wewnątrz pomieszczeń)

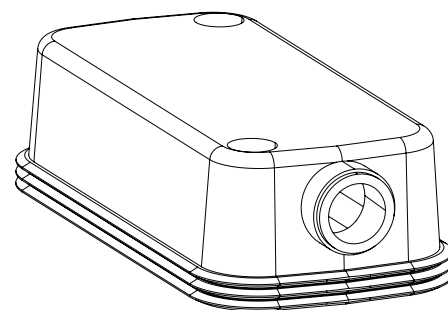
Jedno wejście



Wejście i wyjście



Całkowicie otwarta



Przygotowanie osłony wejść

Ostona wejść jest przystosowana do trzech różnych konfiguracji okablowania (patrz powyżej). Aby zmienić konfigurację osłony wejść i dopasować ją do pożądanego układu, odetnij końcówkę zgodnie z dziurkowaniem. W otworach 1/2 cala należy użyć jednej złączki 1/2 cala na 1/2 cala oraz dwóch standardowych kanałów kablowych 3/8 cala (patrz schemat poniżej).

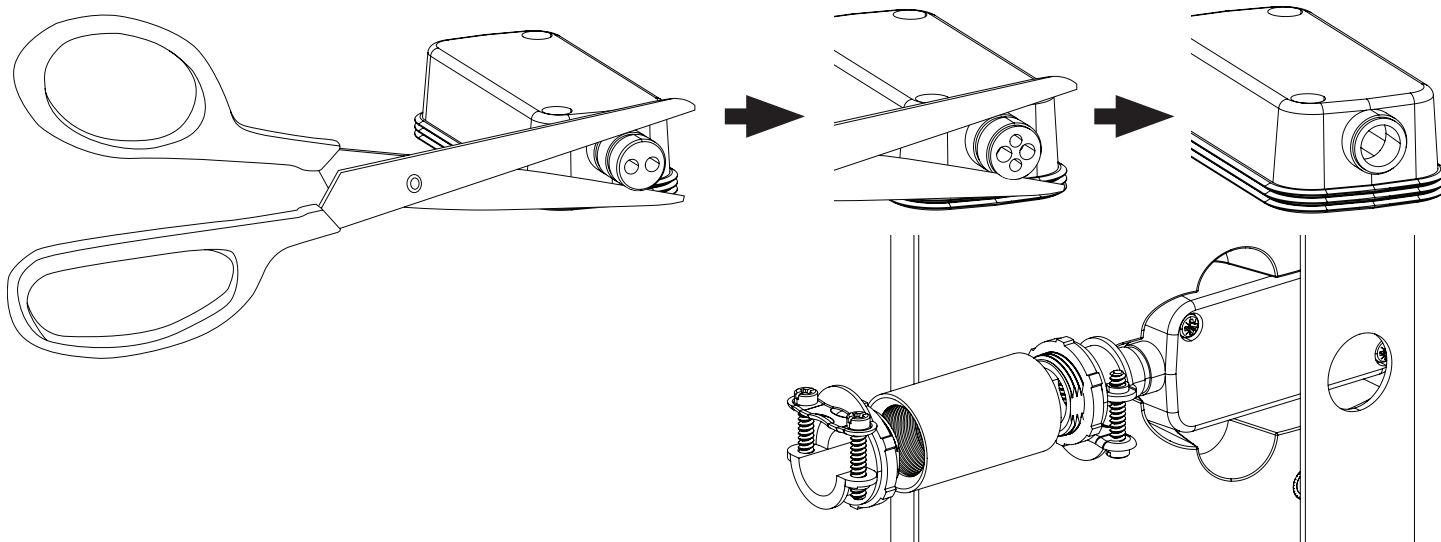


PRZESTROGA! W przypadku korzystania z elastycznego kanału kablowego nie należy montować osłony wejść w konfiguracji całkowicie otwartej (z jednym, dużym otworem na przewody).

Przeostroga! Aby zapobiec dostawaniu się wody, nie wolno instalować osłony wejść w pozycji skierowanej ku górze.

Uwaga: obowiązkiem instalatora jest zabezpieczenie złącza euroblock przed dostawaniem się do niego wody. Aby odpowiednio zabezpieczyć okablowanie, należy używać silikonu odpornego na wilgoć, żółknięcie i działanie warunków atmosferycznych.

Uwaga: Elastyczne kanały kablowe muszą mieć certyfikat UL, być przeznaczone do tego zastosowania oraz muszą zostać zamontowane zgodnie z postanowieniami władz lokalnych.



Okablowanie głośnika

Grubość przewodu

Do montażu głośnika FreeSpace FS2SE należy stosować wyłącznie przewody o rozmiarze od 18 AWG (0,8 mm²) do 14 AWG (2,1 mm²).

Schematy połączeń

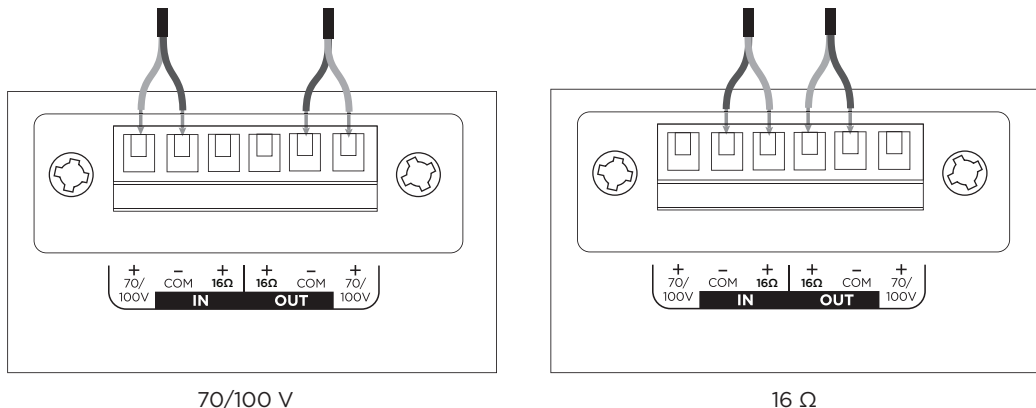
Odstąpić sześć milimetrów (¼ cala) nieizolowanego przewodu, aby podłączyć go do zacisków.

Uwaga! Głośnik nie jest przeznaczony do użytku ze sztywnym kanałem kablowym. Głośnik może być podłączany wyłącznie do elastycznego kanału kablowego lub okablowania.

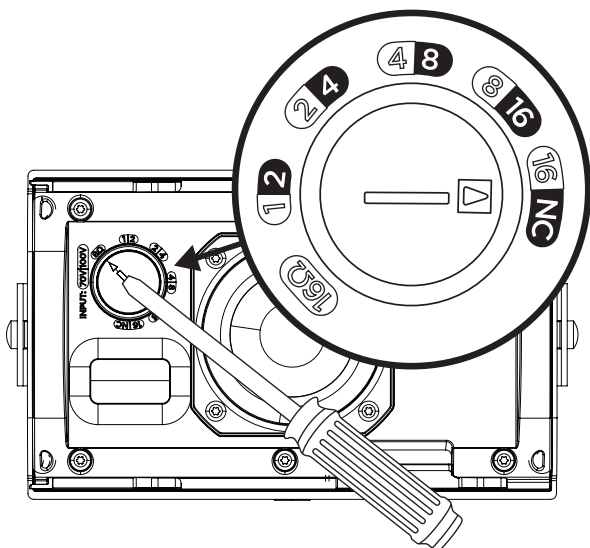
Uwaga! Okablowanie musi być wykonane zgodnie z następującymi normami:

(w Kanadzie) certyfikat CSA C22.1 Canadian Electrical Code, część I, Safety Standard for Electrical Installations, punkt 32;

(w Stanach Zjednoczonych) norma NFPA 70, National Electrical Code oraz norma NFPA 72, National Fire Alarm and Signaling Code.



Ustawienia głośnika



70 V					
1 W	2 W	4 W	8 W	16 W*	16 Ω
2 W	4 W	8 W	16 W	NC**	
100 V					

* Ustawienia fabryczne

** NC: brak połączenia (nie używać)

Ustawienie gwintownika transformatora

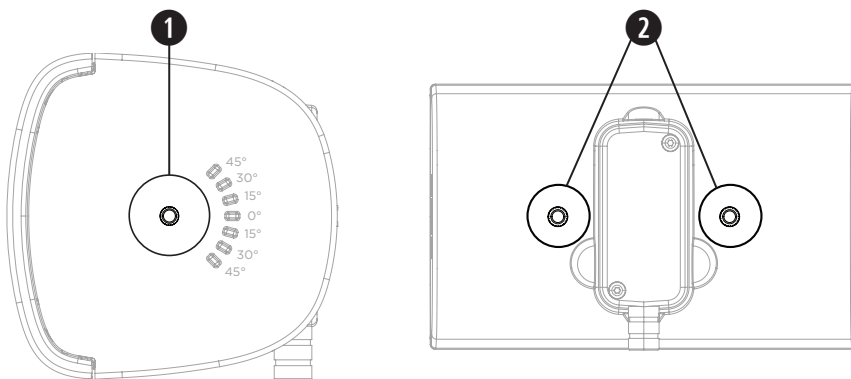
Ustaw gwintownik, obracając go. Użyj płaskiego śrubokrętu.

Korzystanie z linki zabezpieczającej

Niektóre regionalne przepisy budowlane wymagają zastosowania dodatkowej metody zabezpieczenia głośników w celu zapewnienia dodatkowego bezpieczeństwa. Pozycja, sposób i elementy montażu muszą być zgodne z lokalnymi normami i przepisami budowlanymi.

Linkę zabezpieczającą można przymocować do głośnika za pomocą jednej z gwintowanych wkładek znajdujących się z tyłu lub po bokach obudowy głośnika. W przypadku montowania głośnika na dołączonym wsporniku linkę zabezpieczającą należy zamontować na jednej z gwintowanych wkładek znajdujących się z tyłu obudowy (2). W przypadku montowania głośnika na jednym z opcjonalnych wsporników (patrz strona 4) do przytwierdzenia linki należy użyć jednej z gwintowanych wkładek po bokach obudowy (1). Punkty mocowania osprzętu zabezpieczającego przedstawiono na schemacie po prawej stronie.

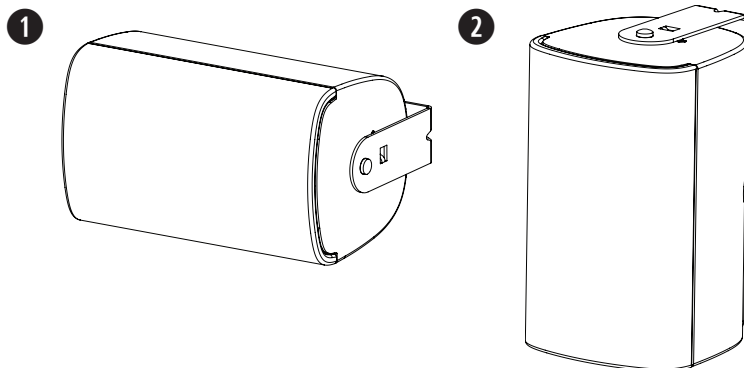
We wkładki boczne (1) można wkręcać śruby M5 (brak w zestawie) na głębokość 11 mm. We wkładki tylne (2) można wkręcać śruby M6 na głębokość 12 mm.



Orientacja głośnika

Wybrać ustawienie głośnika, które najlepiej pasuje do danej instalacji.

- 1 Poziomo
- 2 Pionowo

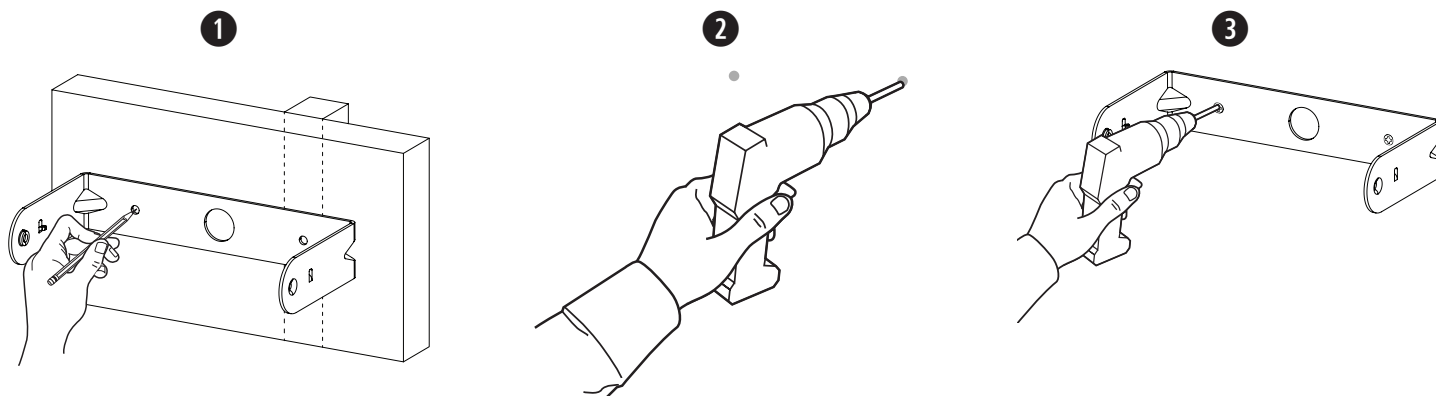


Montaż wspornika

Uwaga! W miejscu montażu co najmniej jeden punkt mocowania wspornika montażowego musi być przymocowany do konstrukcji nośnej. Punkty mocowania, które nie są przymocowane do konstrukcji nośnej, muszą zostać zabezpieczone przy użyciu odpowiednich śrub i nakrętek do montażu. Wybrane mocowania muszą być zgodne ze wszystkimi lokalnymi przepisami budowlanymi.

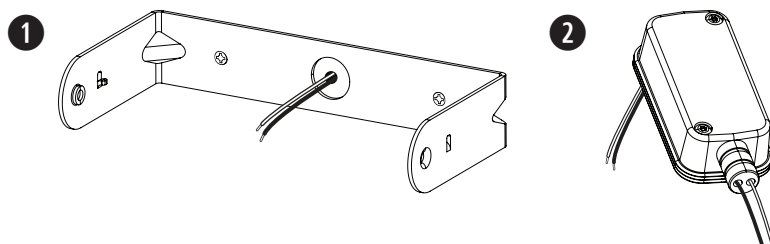
Uwaga! Należy wybrać odpowiednie mocowania, które utrzymają masę głośnika (1,63 kg).

1. Zaznaczyć otwory do wywiercenia.
2. Wywiercić w ścianie dwa otwory (o wielkości odpowiedniej do mocowań).
3. Przymocować wspornik do ściany za pomocą dwóch śrub (brak w zestawie). **Uwaga!** Należy użyć śrub o rozmiarze M5 lub śrub 10-24.



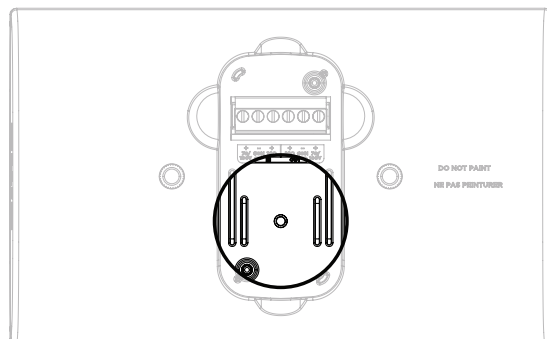
Podłączanie okablowania do złącza

1. Poprowadzić przewody przez środkowy otwór wspornika.
2. Przeprowadzić przewody przez otwór na dole osłony wejść. Więcej informacji znajduje się na stronie 53, w sekcji **Przygotowanie osłony wejść**.
3. Podłączyć przewody do złącza. Informacje na temat okablowania można znaleźć w sekcji **Podłączanie okablowania do głośnika** na stronie 54.



Punkt mocowania ceramicznego bloku zacisków

W głośniku FreeSpace FS2SE można zamontować opcjonalny ceramiczny blok zacisków. Na rysunku przedstawiono punkt mocowania ceramicznego bloku zacisków. Więcej informacji na temat tego akcesorium można znaleźć w podręczniku instalacji ceramicznego bloku zacisków na stronie **BoseProfessional.com**.



Montaż głośnika



OSTRZEŻENIE! Nieprzestrzeganie poniższych instrukcji może skutkować nieprawidłowym zamontowaniem głośnika i jego upadkiem.

1. Podłączyć złącze przewodowe do głośnika.
2. Umieścić osłonę wejść nad złączem i docisnąć ją do głośnika, by powstało szczelne połączenie. Zamocować osłonę wejść za pomocą dołączonych śrub. Więcej informacji znajduje się na stronie 53, w sekcji **Przygotowanie osłony wejść**.
3. Umieścić głośnik pomiędzy ramionami wspornika i wsunąć po jednej z dołączonych śrub do wkładek gwintowanych po bokach głośnika.
4. Wprowadzić bolce na ramionach wspornika do odpowiednich otworów, by ustawić żądany kąt nachylenia, a następnie docisnąć wspornik do obudowy głośnika.

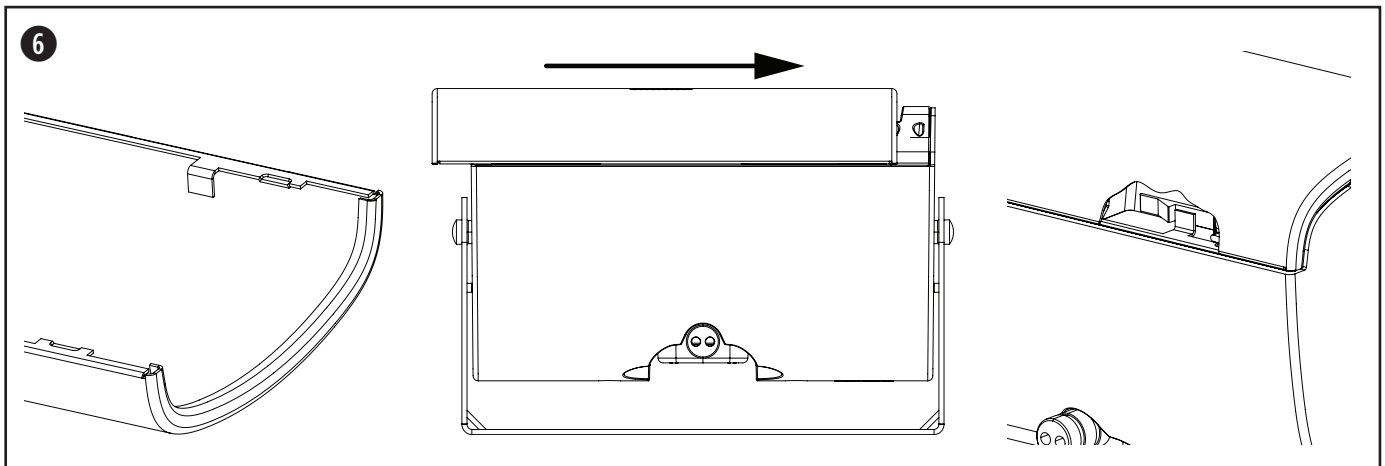
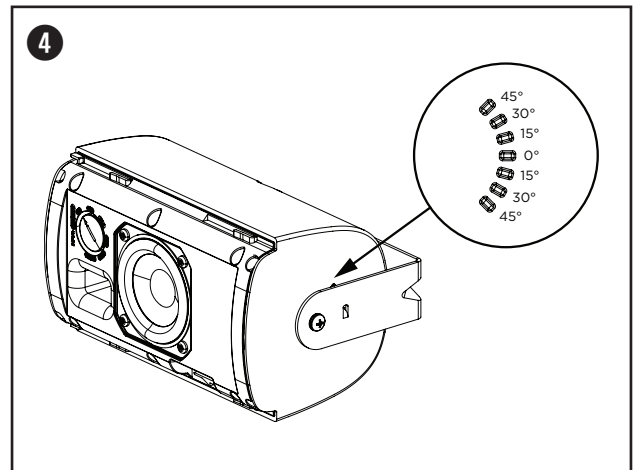
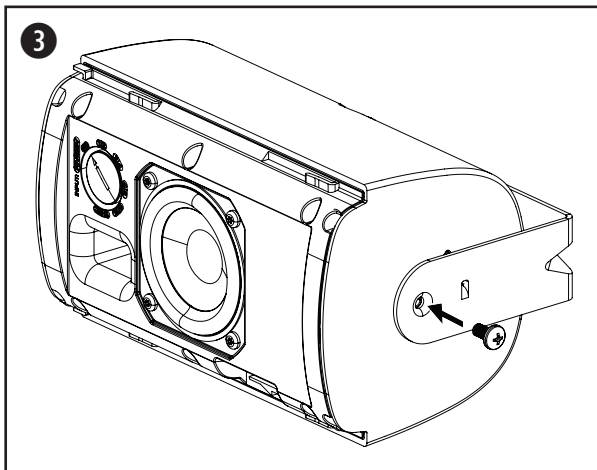
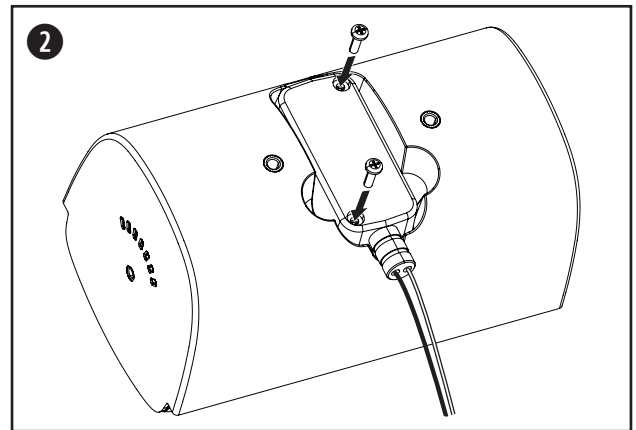
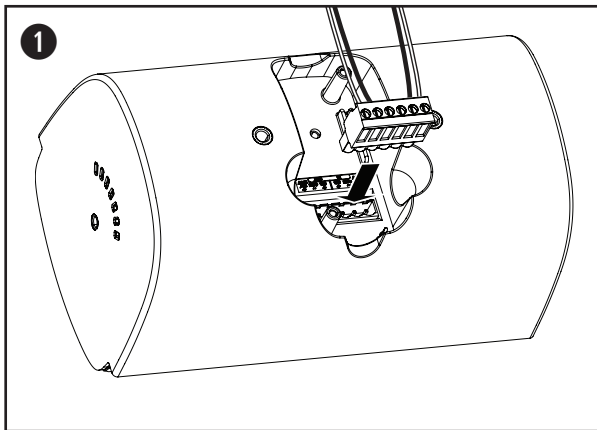
Uwaga! Kąt ustawienia głośnika można regulować w zakresie 0° , $\pm 15^\circ$, $\pm 30^\circ$ lub $\pm 45^\circ$.

Uwaga! w przypadku montowania głośnika na zewnątrz nie należy odchyłać go ku górze.

5. Dokręcić śruby po obu stronach głośnika, aby urządzenie zostało stabilnie przytwierdzone do wspornika. Śrub nie należy dokręcać zbyt mocno.

Uwaga! Przed zamocowaniem osłony dostosuj ustawienia poboru mocy głośnika do specyfikacji instalacji elektrycznej. Patrz **Ustawienia głośnika** na stronie 54.

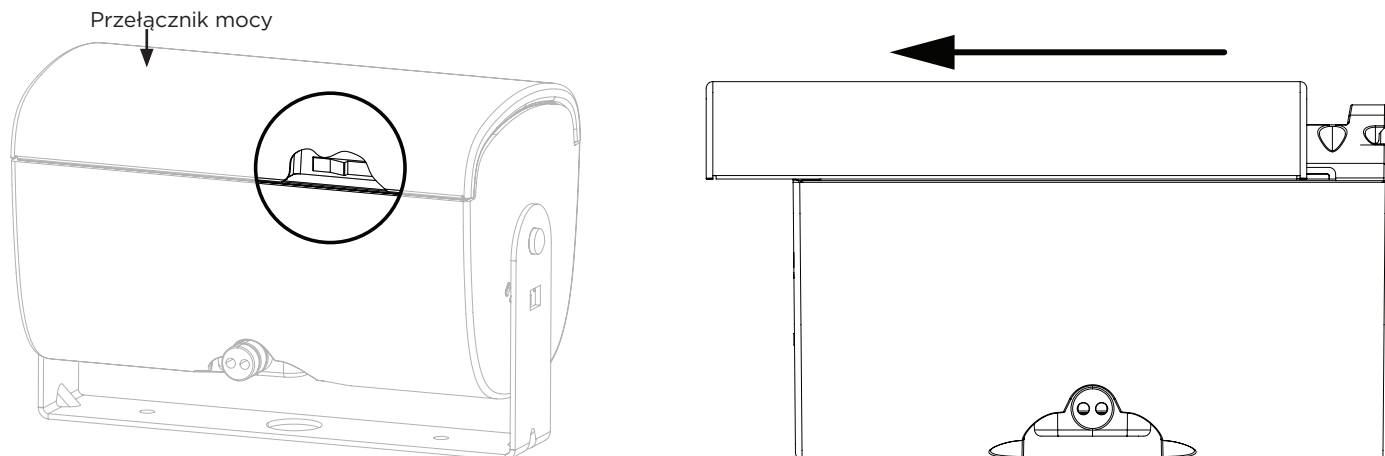
6. Ustalić położenie zakładki wewnątrz osłony głośnika. Zamontować osłonę, wsuwając ją na obudowę. Należy upewnić się, że zakładka wewnątrz osłony wsunęła się do blokady osłony w obudowie głośnika.



Demontaż osłony

Osłona jest przytwierdzona do głośnika za pomocą blokady. Aby zwolnić blokadę, należy wsunąć niewielkie narzędzie (o średnicy do 1,5 mm) do otworu w osłonie. Trzymając narzędzie w otworze blokady, należy wysunąć osłonę z obudowy głośnika.

Uwaga! Blokada osłony znajduje się po przeciwnej stronie od przełącznika mocy głośnika. Na poniższym schemacie przedstawiono położenie blokady osłony.



Dostosowywanie logo

Logo Bose znajdujące się na głośniku FreeSpace FS2SE jest ustawione w pozycji do montażu poziomego. Jednak do zestawu dołączone jest także oddzielne logo do montażu głośnika w pozycji pionowej. Logo można usunąć, odklejając je od głośnika. Aby przymocować logo do montażu pionowego, określ środek osłony i ustaw logo tak, aby nacięcia na logo biegły wzdłuż wyźłobień w osłonie. Następnie dociśnij logo, aby przytwierdzić je do osłony.

Informacje dotyczące bezpieczeństwa i zgodności

Głośnik FreeSpace FS2SE przeszedł testy i jest zgodny z następującymi specyfikacjami i zastosowaniami:

Zgodność z normami ANSI/UL 1480-2016, CAN/ULC-S541

Do użytku w systemach alarmów pożarowych — kategoria UL UUMW/UUMW7, numer pliku S 3241. Numer kontrolny 42S9. Produkt nie jest przeznaczony do użytku w nadzorowanych systemach prądu stałego.

Nadaje się do użytku na zewnątrz w lokalizacjach o dużej wilgotności.

EN 54-24: 2008, dla głośników przeznaczonych do dźwiękowych systemów ostrzegawczych stosowanych w systemach wykrywania pożaru i alarmów przeciwpożarowych montowanych w budynkach.

Typ środowiska: B (do użytku na zewnątrz)

Głośniki nadające się do instalacji przy użyciu okablowania stosowanego w alarmach przeciwpożarowych zgodnie z normą NFPA 70, National Electric Code, 2002, art. 640.

Głośniki nadają się do instalacji przy użyciu okablowania stosowanego w alarmach przeciwpożarowych zgodnie z normą NFPA 70, National Electric Code, 2002, art. 760

NFPA 70, National Electric Code, 2002, art. 300-22(c).

NFPA 90-A, 2002, Instalacja systemów klimatyzacji i wentylacji, paragraf 4.3.10.2.6.5.

EMC Dyrektywa 89/336/EEC i art. 10 (1) dyrektywy, EN50081-1 i EN50082-1, o czym świadczy oznakowanie CE.

Głośnik FreeSpace FS2SE został zaprojektowany zgodnie z wymaganiami określonymi w następujących europejskich przepisach dotyczących systemów łączonych:

British Standard Code of Practice BS 5839, część 8., w przypadku korzystania z ceramicznego bloku zacisków i bezpiecznika termicznego.

Produkt przetestowany pod kątem zgodności z normą IEC60268-5.

Nominalny kąt propagacji (zgodnie z normą UL 1480) W pionie: 120°/50° przy -3 dB; 155°/25° przy -6 dB
W poziomie: 120°/60° przy -3 dB; 155°/25° przy -6 dB

Tabela zmian wartości SPL mierzonego w dBA przy odległości 3,1 m od źródła w zależności mocy na gwintowniku (zgodnie z normą UL):

Moc na gwintowniku	CAN/ULC-S541 Kanadzie		Moc na gwintowniku	ANSI/UL 1480-2016 Stanach Zjednoczonych	
	70 V	100 V		70 V	100 V
1 W	77,9 dBA	—	1 W	72,4 dBA	—
2 W	80,8 dBA	80,8 dBA	2 W	74,7 dBA	74,9 dBA
4 W	83,3 dBA	83,3 dBA	4 W	77,5 dBA	77,5 dBA
8 W	86,0 dBA	85,9 dBA	8 W	80,2 dBA	80,0 dBA
16 W	87,7 dBA	87,7 dBA	16 W	82,6 dBA	82,5 dBA
16 Ω	87,5 dBA	—	16 Ω	82,6 dBA	—

Wartości SPL są podawane zgodnie z procedurami określonymi w normie UL 1480.

Charakterystyka częstotliwościowa:

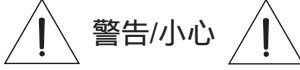
Alarm przeciwpożarowy (UL): od 95 Hz do 17000 Hz

请阅读并保留所有安全和使用说明。


本产品仅适合由专业安装人员安装！本文档旨在为专业安装人员提供在典型的固定安装系统中安装此产品时适用的基本安装和安全指南。请先阅读本文档和所有安全警告，再尝试安装。

请勿尝试自行维修此产品。所有维修服务必须由授权服务中心、安装人员、技术人员、经销商或分销商提供。要联系 Bose Professional 或查找您附近的经销商或分销商，请访问 BoseProfessional.com。


1. 请阅读这些说明。
2. 请保留这些说明。
3. 请注意所有警告。
4. 请遵守所有说明。
5. 请勿堵塞任何通风口。请按照制造商的说明进行安装。
6. 请勿安装在靠近任何热源的位置，例如暖气片、热调节装置、火炉或可产生热量的其他设备（包括功放）。
7. 只能使用制造商指定的附件/配件。



警告/小心



本产品含有磁性材料。有关这是否会影响到您的植入式医疗器械，请咨询您的医生。



包含可能导致窒息危险的小部件。不适合 3 岁以下的儿童使用。

- 安装人员有责任使用具有足够抗荷载强度的支撑系统，遵守适用的法规和标准。
- 所有 Bose Professional 产品的安装都必须遵守当地、州、联邦和行业规范。安装人员有责任确保扬声器和安装系统的安装都符合适用的法规，包括当地的建筑法规和规定。安装本产品前，请咨询拥有司法管辖权的当地监管机构。
- 以不安全的方式登高安装或吊装任何重物可能导致严重的人身伤害、死亡或财产损失。安装人员有责任评估在其应用中所使用的任何安装方法的可靠性。只有正确了解硬件且掌握安全安装方法的专业安装人员才能尝试以吊装的方式安装任何扬声器。
- 请勿将本产品安装在不结实或有潜在危险的表面，比如铺有电线或管道的地方。确保支架由拥有相应资质的专业安装人员安装且符合当地的建筑法规。
- 仅使用随附安装紧固件和配件或 Bose Professional 指定与 FreeSpace FS2SE 扬声器配合使用的安装紧固件和配件。不提供用于将扬声器固定到安装表面的安装紧固件。有关兼容附件的信息，请参阅 BoseProfessional.com 上的产品技术参数表。
- 请将本产品放置到远离火源和热源的地方。请勿将明火火源（如点燃的蜡烛）置于本产品上或靠近本产品。
- 未经授权切勿改装本产品。
- FreeSpace FS2SE 壁挂支架仅适用于 FS2SE 机型。
- 请勿让扬声器或安装组件接触 Bose Professional 未说明的任何化学物质，包括但不限于润滑剂、清洗剂、触点喷剂或烃类溶剂。接触此类物质可能会导致本产品的塑料材料老化，进而导致产品开裂和掉落。
- 只能使用干布清洁扬声器。请勿让扬声器接触肥皂、清洁剂、矿物油、酒精或其他清洁剂或化学品。

产品额定值：

输入电压：70V/100V

阻抗：16 Ω, 16 W


电流或功率：(70V)：1W、2W、4W、8W、16W；(100V)：2W、4W、8W、16W

规范信息


请勿喷漆或更改出厂饰面。

 本产品符合所有适用的欧盟指令要求。您可以从以下网址找到完整的合规声明：www.Bose.com/compliance。

 本产品符合所有适用的 2016 电磁兼容性法规和所有其他适用的英国法规。符合声明全文载于：www.Bose.com/compliance

 此符号表示不得将此产品作为生活垃圾丢弃，应将其送到合适的回收站点进行回收。正确处理和回收有助于保护自然资源、人类健康和环境。想要获得更多关于此产品的处理和回收的信息，请联系当地市政当局、垃圾处理服务部门或您购买此产品的商店。

中国危险物质限量表

有毒或有害物质或元素名称及成分						
有毒或有害物质和元素						
零件名称	铅 (Pb)	汞 (Hg)	镉 (Cd)	六价铬 (CR(VI))	多溴化联苯 (PBB)	多溴二苯醚 (PBDE)
印刷电路板	X	0	0	0	0	0
金属零件	X	0	0	0	0	0
塑料零件	0	0	0	0	0	0
扬声器	X	0	0	0	0	0
线缆	X	0	0	0	0	0
此表格依据 SJ/T 11364 的要求制定。 0：表示此零件中所有均质材料所包含的此类有毒或有害物质均低于 GB/T 26572 中的限定要求。 X：表示此零件所用全部均质材料中至少有一种包含的有毒或有害物质高于 GB/T 26572 中的限定要求。						

生产日期：序列号中第八位数字表示生产年份；“7”表示 2007 年或 2017 年。

中国进口商：博士视听系统（上海）有限公司，地址：中国（上海）自由贸易试验区日樱北路 353 号，9 号厂房 C 部位

欧盟进口商：Bose Products B.V., Gorslaan 60, 1441 RG Purmerend, The Netherlands

墨西哥进口商：Bose de México, S. de R.L. de C.V., Paseo de las Palmas 405-204, Lomas de Chapultepec, 11000 México, D.F.如需获取进口商和服务信息，请拨打电话：+5255 (5202) 3545

中国台湾进口商：Bose 台湾分公司，台湾 104 台北市民生东路三段 10 号，9F-A1。电话：+886-2-2514 7676

英国进口商：Bose Limited, Bose House, Quayside Chatham Maritime, Chatham, Kent, ME4 4QZ, United Kingdom

Bose 是 Bose Corporation 的商标。

FreeSpace 是 Transom Post OpCo LLC 的商标。

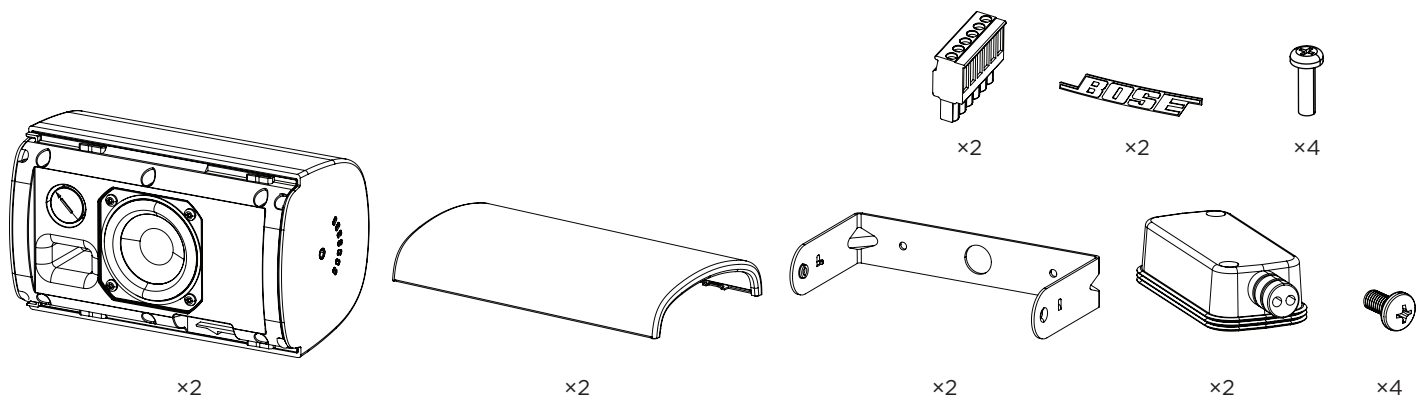
Bose Corporation, Framingham, MA 01701, U.S.A. 1-877-230-5639

©2023 Transom Post OpCo LLC。未经事先书面许可，不得复制、修改、分发或以其他方式使用本文档的任何部分。

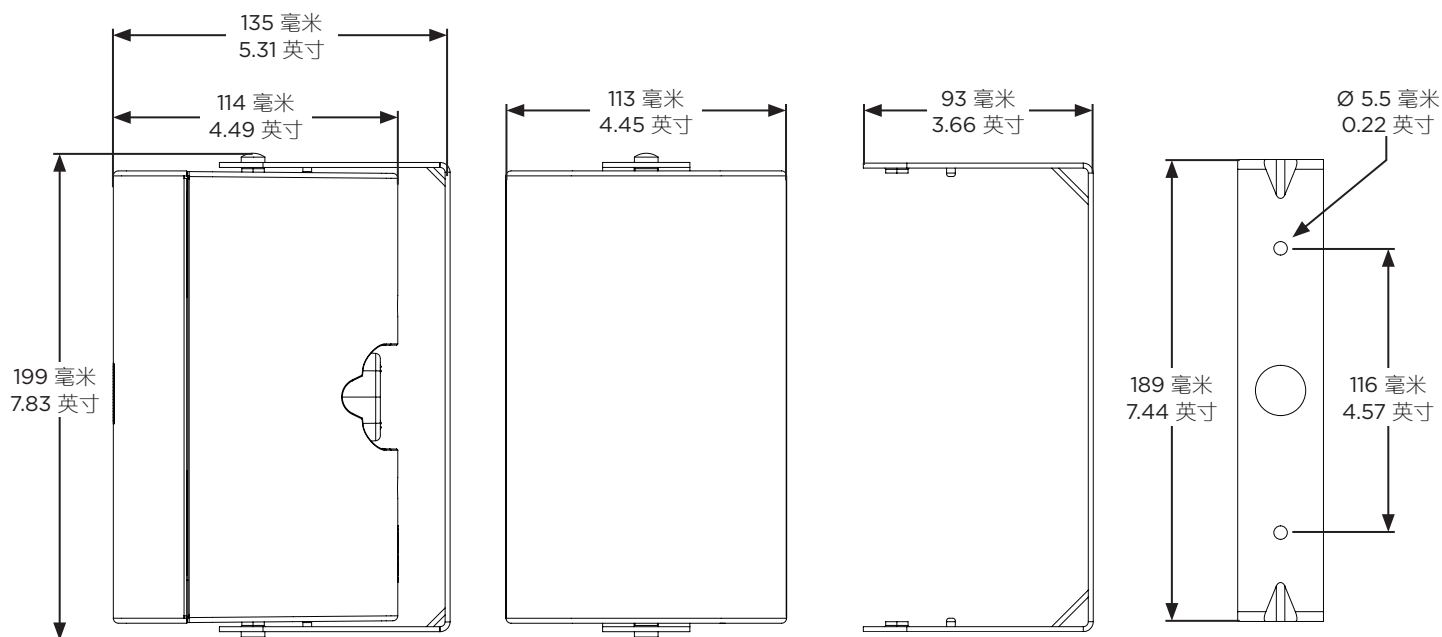
质保信息

本产品享有有限保修。
有关质保的详细信息，请访问 BoseProfessional.com/Warranty。

包装清单



产品尺寸



技术规格

有关其他规格，请参阅 BoseProfessional.com 上的 FreeSpace FS2SE 技术参数表。有关 EN 54-24 规范（包括所需外部均衡），请参阅 BoseProfessional.com 上的 FreeSpace FS2SE EN 54-24 认证评级（AM857612 版本 01）。

外观	
产品尺寸	高度：199 毫米（7.83 英寸）
	宽度：113 毫米（4.45 英寸）
	深度：135 毫米（5.31 英寸）
带网罩和支架的扬声器净重（单个）	1.63 千克（3.60 磅）
装运重量（成对）	4.17 千克（9.20 磅）
环境	自带全天候输入防护罩，适合在潮湿的户外场所使用（IP55，依据 EN60529；IP33C，依据 EN 54-24）。提供可用于恶劣环境、防止红色腐蚀的铝制网罩选装配件。

重要安装信息

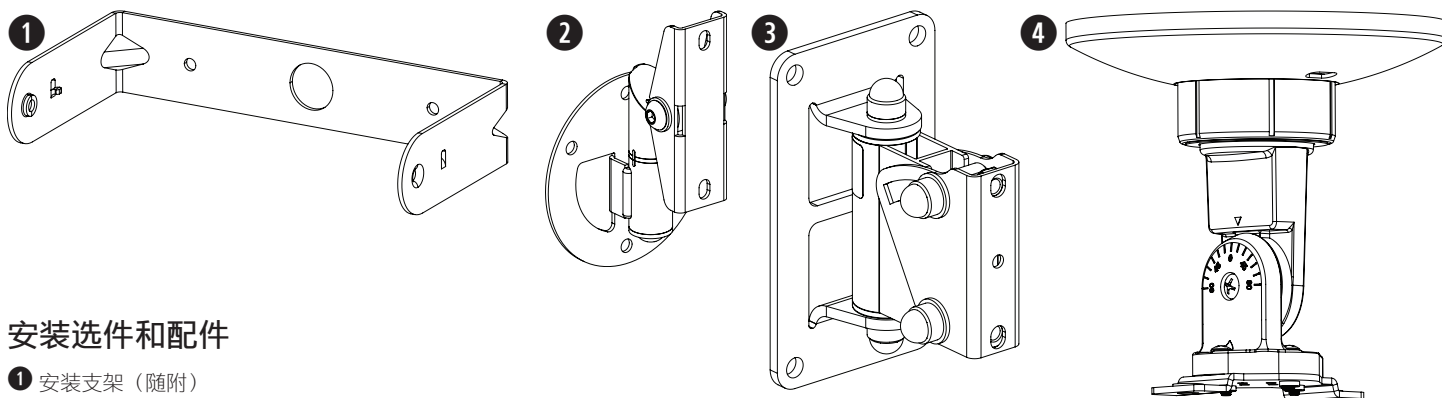


安装扬声器之前，请阅读第 58 页上的重要安全说明。



对于火灾和疏散通知应用程序，环境评级为 IP33C（依据 EN 54-24）。
对于通用音频安装应用程序，环境评级为 IP55（依据 EN60529）。

安装方式



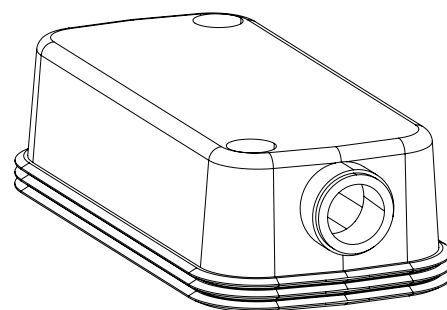
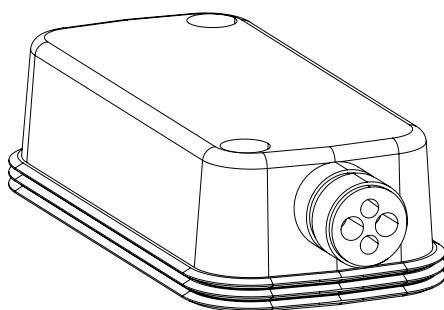
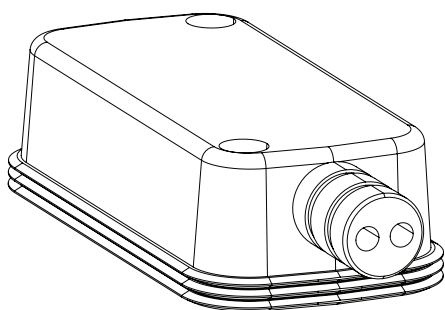
安装选件和配件

- ❶ 安装支架（随附）
- ❷ **DMSBRKT** 双轴墙架（可选；仅限室内）
- ❸ **WBPWR-50** 双轴墙架（可选；室外）
- ❹ **CMBS2** 吸顶安装支架（可选，仅室外可用）

仅输入型

输入环出型

宽口型



准备输入罩

输入罩分别针对三种不同的布线情况而设计（参见上图）。若要改变输入防护罩的配置以适应布线情况，请沿橡胶管上的小孔进行剪切。使用一个 1/2 英寸转 1/2 英寸的螺纹接口和两个 3/8 英寸的工业尺寸导管配件穿过 1/2 英寸的进线（请参阅下图）。

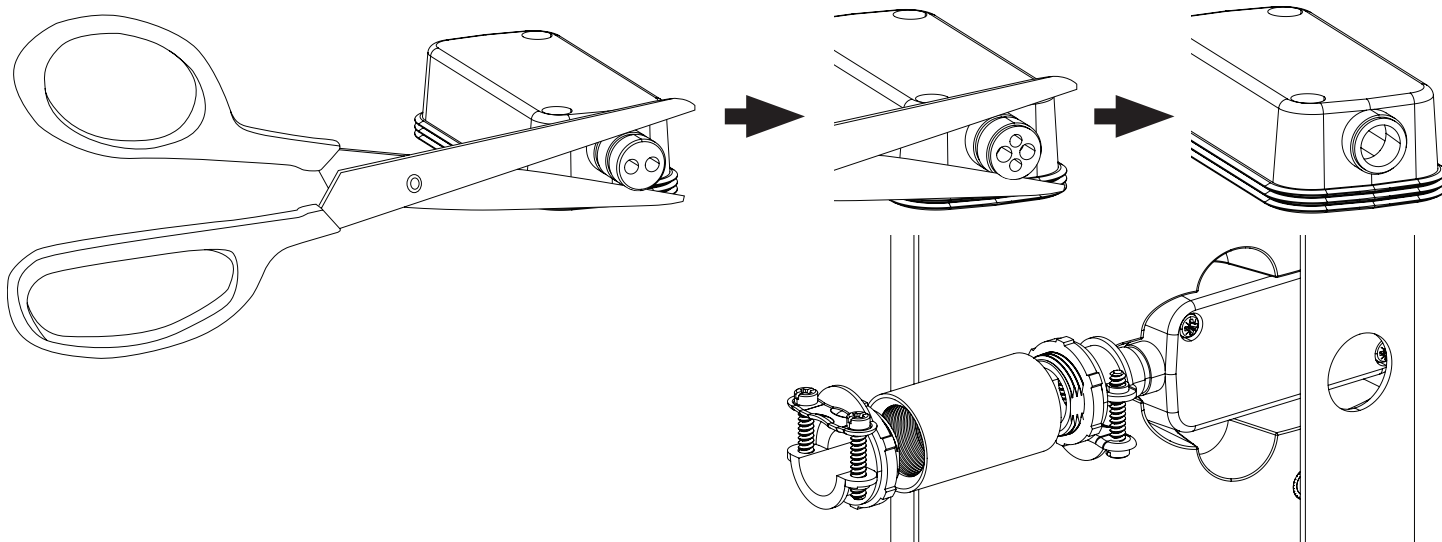


小心：在安装软质管子和输入罩时，切勿使用开口型布线方式。

小心：为防止进水，请勿面朝上安装输入防护罩。

注意：安装人员有责任进行密封，以防水液进入 Euroblock 接口。使用户外或海洋级硅胶密封所有线路连接处，以确保密封。

注意：软质管子与接口必须是 UL 列明的类别，并根据拥有司法权的当地监管机构的规定进行安装。



扬声器接线

线规

FreeSpace FS2SE 扬声器仅可与 18 AWG (0.8 平方毫米) 至 14 AWG (2.1 平方毫米) 规格的接线一起使用。

接线图

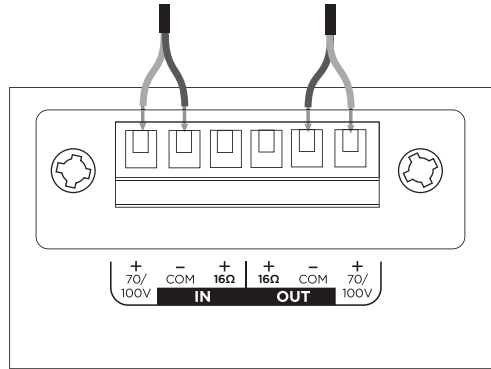
露出六毫米 (¼ 英寸) 长的裸线以连接到端子。

注意： 扬声器不适合与硬质管子一起使用。扬声器仅适合软质管子或直接布线连接方式。

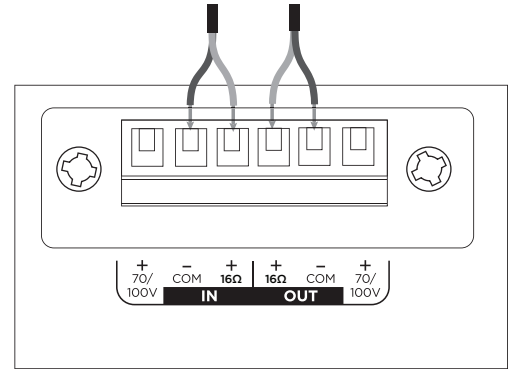
注意： 布线方法必须符合：

在加拿大，《加拿大电气规范》第 I 部分 CSA C22.1, 电气安装安全标准第 32 节；

在美国, NFPA 70 美国国家电气法规和 NFPA 72 国家火警和信号代码。

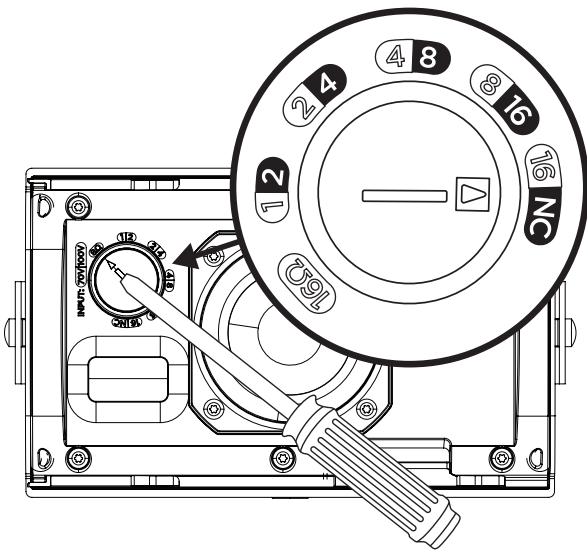


70/100V



16Ω

扬声器设置



70V					
1W	2W	4W	8W	16W*	16Ω
2W	4W	8W	16W	NC**	
100V					

* 出厂默认设置

** NC: 无连接 (不使用)

变压器抽头设置

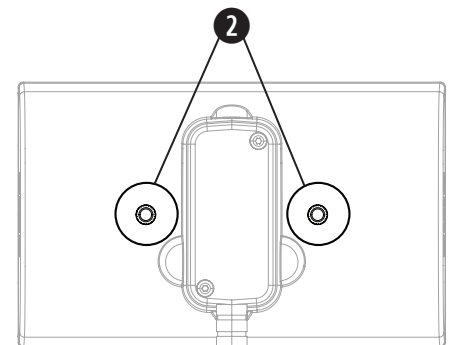
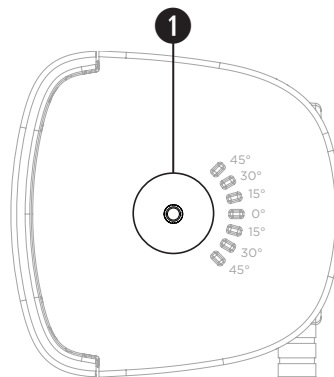
转动设置抽头。使用平头螺丝刀。

使用安全绳

某些地区的施工规范要求使用辅助方法将扬声器固定到支撑结构, 以提供额外的安全保障。选择符合当地的建筑法规和条例的安装位置、方法和安装紧固件。

可使用外壳背面或侧面的其中一个后部螺纹嵌入件将一根安全绳连接到扬声器。如果使用随附的安装支架安装扬声器, 可使用其中一个后部螺纹嵌入件 (2)。如果使用选装支架 (请参阅第一-4 页) 安装扬声器, 可使用其中一个侧面螺纹嵌入件 (1)。有关安全连接点, 请参阅右侧图片。

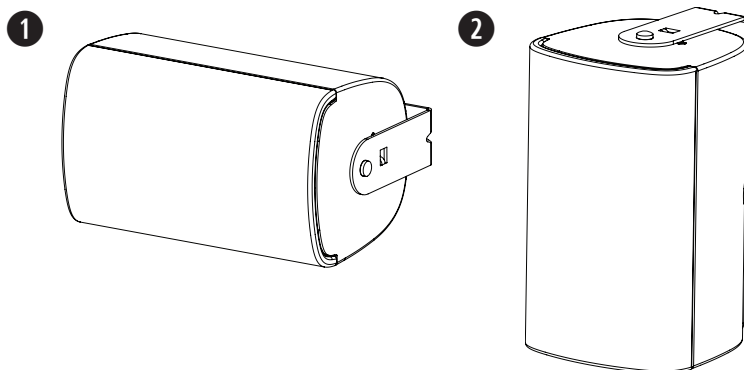
该侧面嵌入件 (1) 适合与深度为 11 毫米 (0.43 英寸) 的 M5 螺钉 (未随附) 配合使用。该后部嵌入件 (2) 适合与深度为 12 毫米 (0.47 英寸) 的 M6 螺钉 (未随附) 配合使用。



扬声器朝向

选择最适合您安装条件的扬声器朝向。

- ① 水平
- ② 垂直

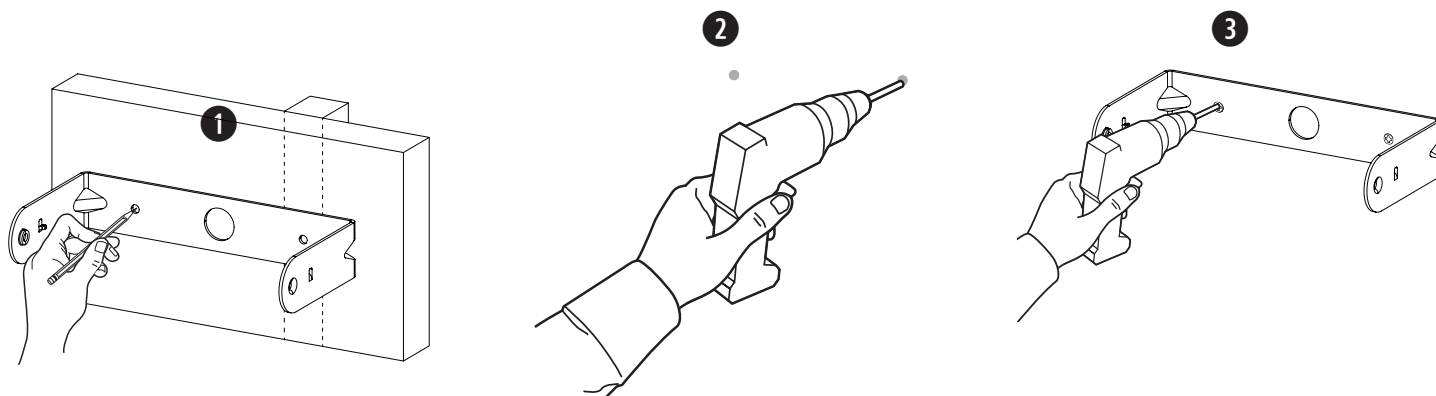


安装支架

注意：选择安装位置时，必须将安装支架的至少一个连接点固定到支撑结构上。未固定到支撑结构上的连接点必须使用合适的安装紧固件进行固定。请选择符合当地所有建筑法规和要求的紧固件。

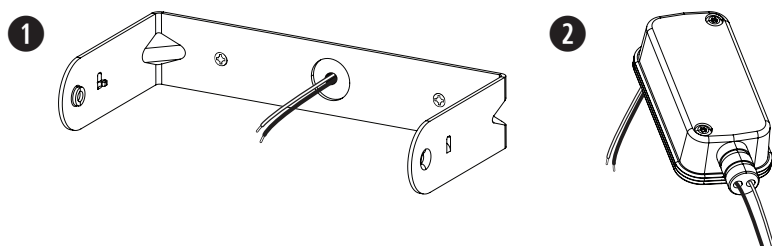
注意：请选择合适的紧固件以支撑扬声器的重量（1.63 千克 [3.60 磅]）。

1. 做好钻孔记号。
2. 在墙壁上钻两个孔（大小适合相应的紧固件）。
3. 使用两颗螺丝（不随附）将支架固定到墙壁上。**注意：**使用 M5 或 10-24 号尺寸的螺钉。



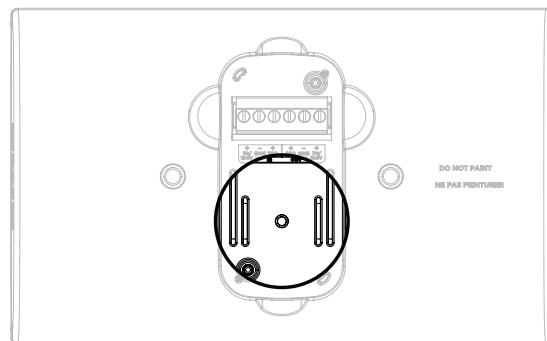
连接接线端子

1. 将接线穿过支架的中心孔。
2. 插入接线时请从输入罩底部穿过。请参阅第 60 页的**准备输入罩**。
3. 执行接线端子接线操作。有关接线信息，请参阅第 61 页的**扬声器接线**。



陶瓷端子连接点

FreeSpace FS2SE 与可选陶瓷端子配件兼容。有关陶瓷端子连接点的位置，请参见图。有关陶瓷端子的详细信息，请参阅 BoseProfessional.com 上的陶瓷端子安装指南。

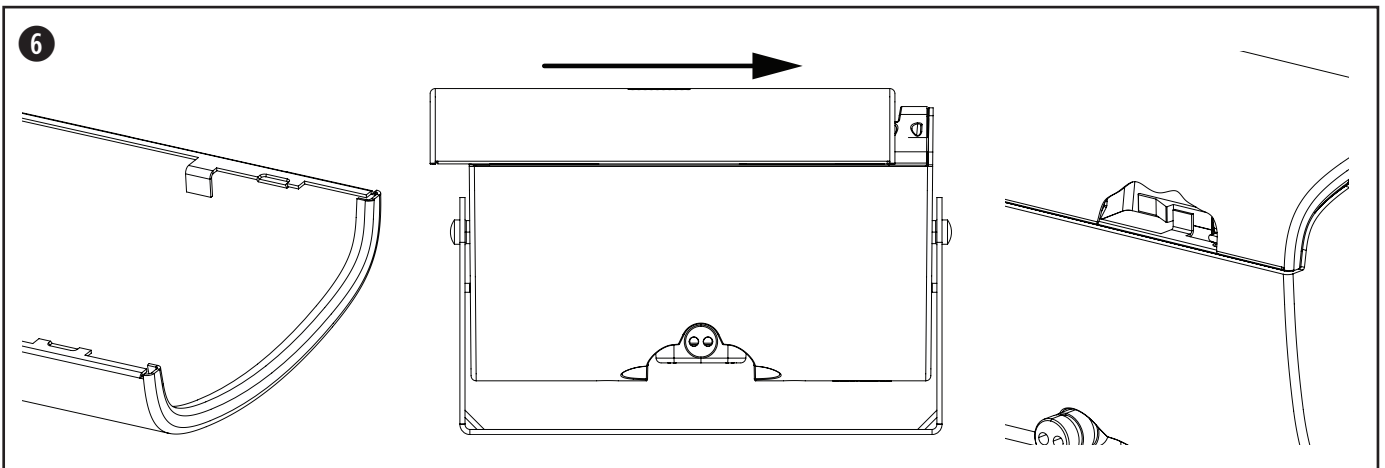
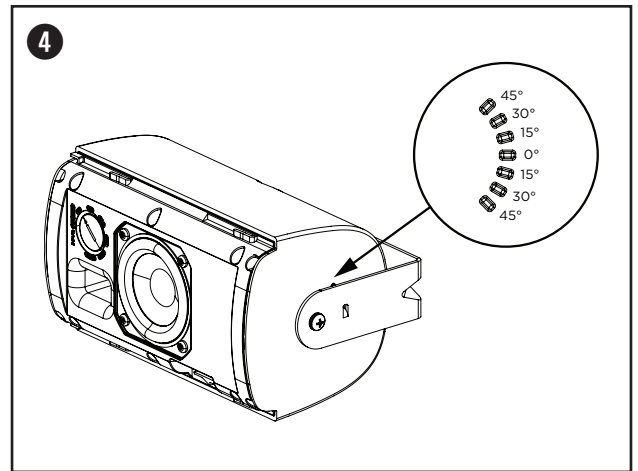
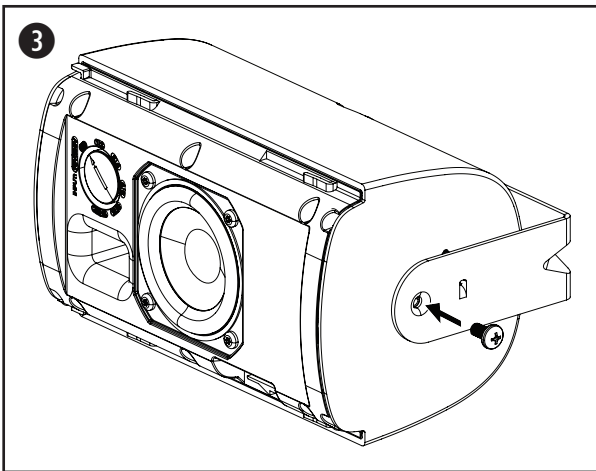
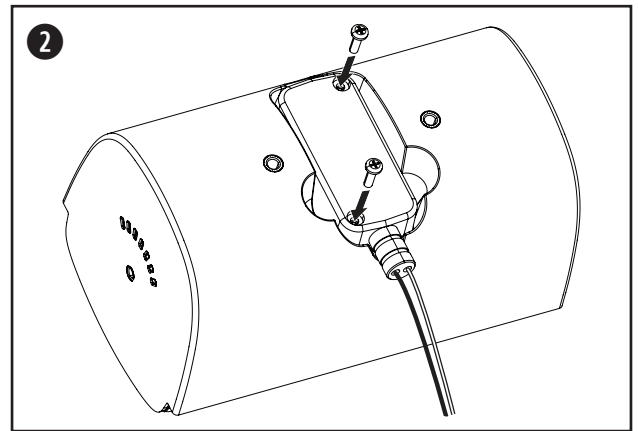
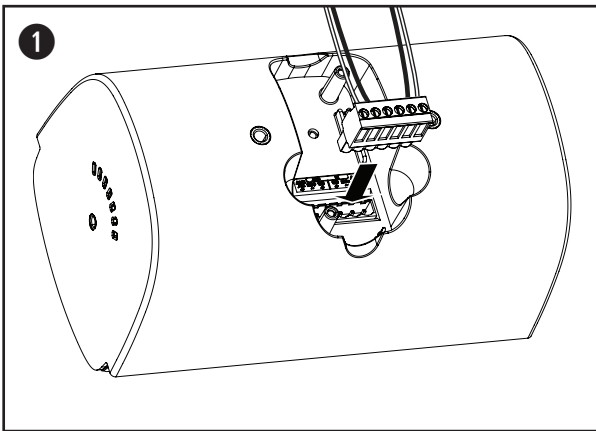


安装扬声器



警告： 不遵循以下步骤可能会导致不安全的安装环境，有扬声器跌落的风险。

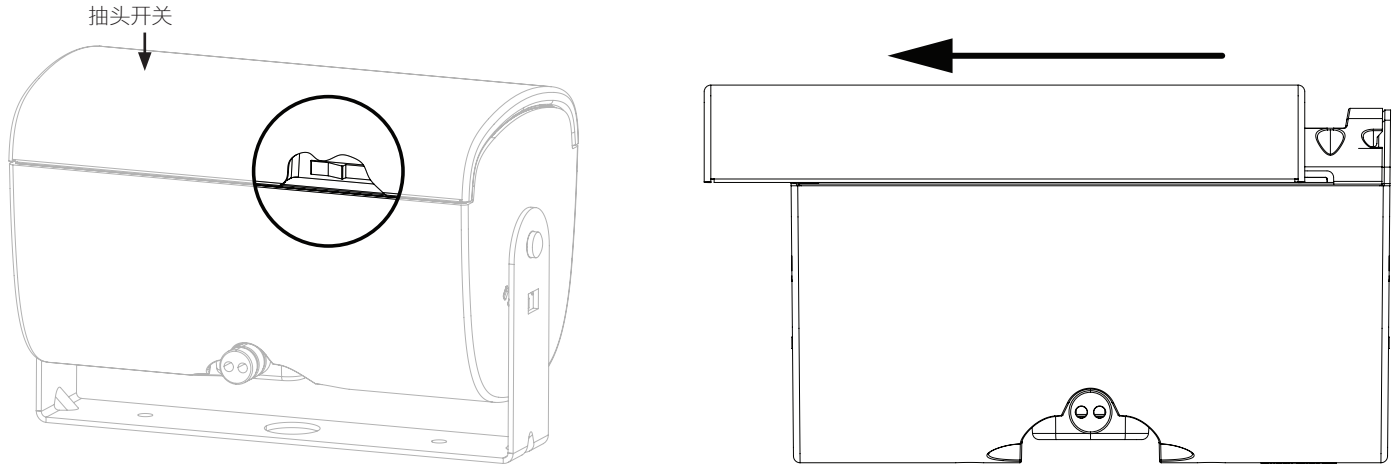
1. 将已经接好线的接线端子连接到扬声器。
2. 将输入罩放置于接口上，并将其牢牢压在扬声器上，以紧密密封。使用两个随附的输入罩螺钉固定输入罩。请参阅第 60 页的**准备输入罩**。
3. 将扬声器固定在支架臂之间，然后使用螺纹嵌入件将随附的任一支架螺钉插入扬声器每侧。
4. 将安装支架上的插销对准适用于安装的角度卡槽，然后将支架扣入扬声器。
注意： 扬声器的角度可以调节至 0° 、 $\pm 15^\circ$ 、 $\pm 30^\circ$ 或 $\pm 45^\circ$ 。
注意： 在室外应用时，请勿以向上俯角安装扬声器。
5. 拧紧扬声器两侧的螺钉，将扬声器固定至安装支架。请勿过度扭转螺钉。
注意： 在连接网罩之前，请将扬声器抽头设置调整为正确的设置。请参阅第 61 页的**扬声器设置**。
6. 找到网罩内侧的网罩扣。将其滑入到位以装上网罩。确保将网罩扣固定至扬声器外壳的网罩锁。



移除网罩

网罩已通过网罩锁固定至扬声器。将小工具插入网罩穿孔（直径小于 1.5 毫米），解开网罩锁。解开网罩锁之后，将网罩从扬声器上滑出以拆下网罩。

注意：网罩锁位于扬声器抽头开关反面。请参阅下图查看网罩锁位置。



调整徽标

FreeSpace FS2SE 随附预安装的 Bose 徽标以进行水平安装。扬声器还随附一个单独的徽标以进行垂直安装。要移除徽标，请将其从扬声器网罩剥离。要应用垂直徽标，找到网罩中心位置，然后将徽标背面的缺口与网罩穿孔对其。按压以将其固定至扬声器网罩。

安全与法规遵从

FreeSpace FS2SE 扬声器经过测试，符合以下规格和用途：

符合 ANSI/UL 1480-2016, CAN/ULC-S541 消防标准

防火信号使用 - UL 类别 UUMW/UUMW7, 文件号 S 3241。控制号 42S9。
不适用于在直流监控系统中使用。

适合在室外潮湿的场所中使用。

EN 54-24: 2008 扬声器适用于进行火灾探测的语音报警系统和适用于建筑的火灾报警系统

环境类型：B（室外应用）

适合使用 1 级、2 级或 3 级接线方法安装，符合 NFPA 70 美国国家电气法规 (2002) 第 640 条。

适用于符合 NFPA 70 美国国家电气法规 (2002) 第 760 条的火灾报警电路布线方法。

NFPA 70 美国国家电气法规 (2002)，第 300-22(c) 条。

NFPA 90-A (2002)，空调和通风系统的安装，第 4.3.10.2.6.5 节。

EMC 指令 89/336/EEC 和指令第 10 (1) 条，EN50081-1 和 EN50082-1 由 CE 标志表示。

FreeSpace FS2SE 是根据以下有关组合系统的欧洲监管规范中规定的要求进行设计的：

英国标准实践规范 BS 5839，第 8 部分，与陶瓷端子和热熔断器套件配套使用。

经测试符合 IEC60268-5。

标称覆盖角度（根据 UL 1480 要求）

垂直：120°/90° at -3 dB; 155°/25° at -6 dB

水平：120°/60° at -3 dB; 155°/25° at -6 dB

3.1 米 (10 英尺) 下的 UL 灵敏度瓦数，抽头声压级 dBA:

功率	CAN/ULC-S541 加拿大	
	70 V	100 V
抽头		
1 W	77.9 dBA	—
2 W	80.8 dBA	80.8 dBA
4 W	83.3 dBA	83.3 dBA
8 W	86.0 dBA	85.9 dBA
16 W	87.7 dBA	87.7 dBA
16 Ω	87.5 dBA	—

功率	ANSI/UL 1480-2016 美国	
	70 V	100 V
抽头		
1 W	72.4 dBA	—
2 W	74.7 dBA	74.9 dBA
4 W	77.5 dBA	77.5 dBA
8 W	80.2 dBA	80.0 dBA
16 W	82.6 dBA	82.5 dBA
16 Ω	82.6 dBA	—

给定的声压级是按照 UL 1480 指定的报告方法进行测量的。

频率响应：

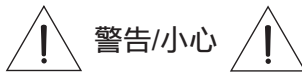
火灾报警 (UL): 95 Hz 至 17000 Hz

請閱讀並保管好所有安全和指示。

本產品僅限由專業安裝人員安裝！本文件包含本產品採一般固定式安裝系統時的相關基本安裝資訊與安全基準，以供專業安裝人員參考。在嘗試進行安裝以前，請先閱讀本文件與所有的安全警告。

請勿自行維修本產品。如需任何維修服務，請洽授權服務中心、安裝人員、技術人員、經銷商或分銷商。若要聯絡 Bose Professional 或尋找附近的經銷商或分銷商，請造訪 BoseProfessional.com。

1. 閱讀這些指示。
2. 保留這些指示。
3. 注意所有警告。
4. 遵守所有指示。
5. 請勿堵塞任何通風口。請按照製造商的指示安裝。
6. 請勿在熱源附近安裝，如暖氣片、熱調節裝置、火爐或可發熱的其他裝置（包括擴大機）。
7. 只能使用製造商指定的附件/配件。



本產品含有磁性材料。請諮詢醫生以瞭解這是否會影響您的植入式醫療設備。



包含可能導致窒息危險的小部件。不適合 3 歲以下的兒童使用。

- 安裝人員有責任選用耐風力符合當地適用法規及標準的支架組件。
- 所有 Bose Professional 產品的安裝必須遵守當地、州、聯邦和行業規範。安裝人員有責任確保揚聲器和安裝系統的裝設均符合適用的法規，包括當地的建築法規和規定。安裝本產品前，請諮詢擁有司法權的當地政府機關。
- 以不安全的方式安裝或高處懸吊任何重物都可能導致嚴重的人身傷害或死亡，以及財產損失。安裝人員須負責評估其應用情形中所採用之任何安裝方式是否穩定可靠。只有具備適當五金部件知識與安全安裝技術的專業安裝人員，才可嘗試安裝任何高處懸吊揚聲器。
- 請勿安裝在不穩定或有潛在危險的表面，比如佈線或鋪設管道的地方。請務必由合格的專業安裝人員遵照當地的建築法規安裝支架。
- 僅限使用 Bose Professional 隨附或指定用於 FreeSpace FS2SE 揚聲器的五金部件與配件。未隨附可將揚聲器固定至安裝表面的五金部件。如需相容配件的相關資訊，請參閱 BoseProfessional.com 上的產品技術資料表。
- 使產品遠離火源和熱源。請勿將明火火源（例如點燃的蠟燭）置於本產品上或本產品附近。
- 未經授權請勿擅自改裝本產品。
- FreeSpace FS2SE 壁掛支架僅供型號 FS2SE 使用。
- 請勿使揚聲器或安裝組件接觸任何非由 Bose Professional 指定的化學物質，包括但不限於潤滑劑、清潔劑、觸點噴劑或碳氫溶劑。接觸該等物質會使塑膠材質劣化，進而導致破裂並產生墜落危險。
- 請僅使用乾布來清潔揚聲器。請勿使揚聲器接觸肥皂、去污劑、礦物油、酒精或其他清潔劑或化學品。

產品額定值：

輸入電壓：70V/100V

阻抗：16 Ω, 16 W

電流或功率：(70V): 1W、2W、4W、8W、16W; (100V): 2W、4W、8W、16W

法規資訊

請勿對原廠塗裝進行改造或上漆。



本產品符合所有適用的歐盟指令要求。符合聲明全文載於：
www.Bose.com/compliance。



本產品符合所有適用的 2016 電磁相容性法規和其他適用的英國法規。您可以從以下位置找到完整的符合聲明：
www.Bose.com/compliance



此符號表示本產品不得以家庭廢棄物方式丟棄，而應將其送到合適的收集設施進行回收。妥善處理及回收有助於保護天然資源、人類健康和環境。如欲獲得有關處理和回收本產品的更多資訊，請聯絡當地政府機關、廢棄物處理服務或您購買本產品的商家。

台灣 BSMI 限用物質含有情況標示

設備名稱：揚聲器		型號：841151				
限制物質及其化學符號						
裝置	鉛 (Pb)	汞 (Hg)	鎘 (Cd)	六價鉻 (Cr+6)	多溴化聯苯 (PBB)	多溴聯苯醚 (PBDE)
印刷電路板	-	○	○	○	○	○
金屬零件	-	○	○	○	○	○
塑膠零件	○	○	○	○	○	○
揚聲器	-	○	○	○	○	○
連接線	-	○	○	○	○	○

備註 1：「○」表示限制物質的濃度百分比含量未超過參考值。
備註 2：「-」表示限制物質屬於豁免項目範圍。

製造日期：序號第八位數代表製造年份；「7」代表 2007 或 2017。

中國進口商：Bose Electronics (Shanghai) Company Limited, 中國(上海)自由貿易試驗區，日櫻北路 353 號，9 號廠房 C 部

歐盟進口商：Bose Products B.V., Gorslaan 60, 1441 RG Purmerend, The Netherlands

墨西哥進口商：Bose de México, S. de R.L. de C.V., Paseo de las Palmas 405-204, Lomas de Chapultepec, 11000 México, D.F. 進口商與服務資訊：+5255 (5202) 3545

台灣進口商：Bose 台灣分公司，台灣 104 台北市民生東路三段 10 號 9 樓 A1 室。電話號碼：+886-2-2514 7977

英國進口商：Bose Limited, Bose House, Quayside Chatham Maritime, Chatham, Kent, ME4 4QZ, United Kingdom

Bose 為 Bose Corporation 的商標。

FreeSpace 為 Transom Post OpCo LLC 的商標。

Bose Corporation, Framingham, MA 01701, U.S.A. 1-877-230-5639

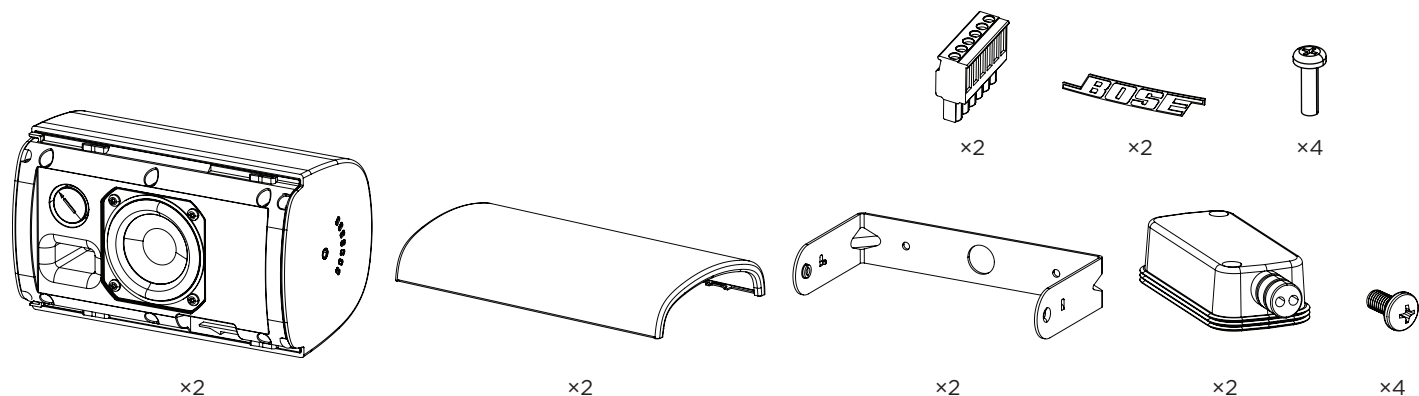
©2023 Transom Post OpCo LLC。未經事先書面許可，不得複製、修改、散佈或以其他方式使用本資料的任何部分。

保固資訊

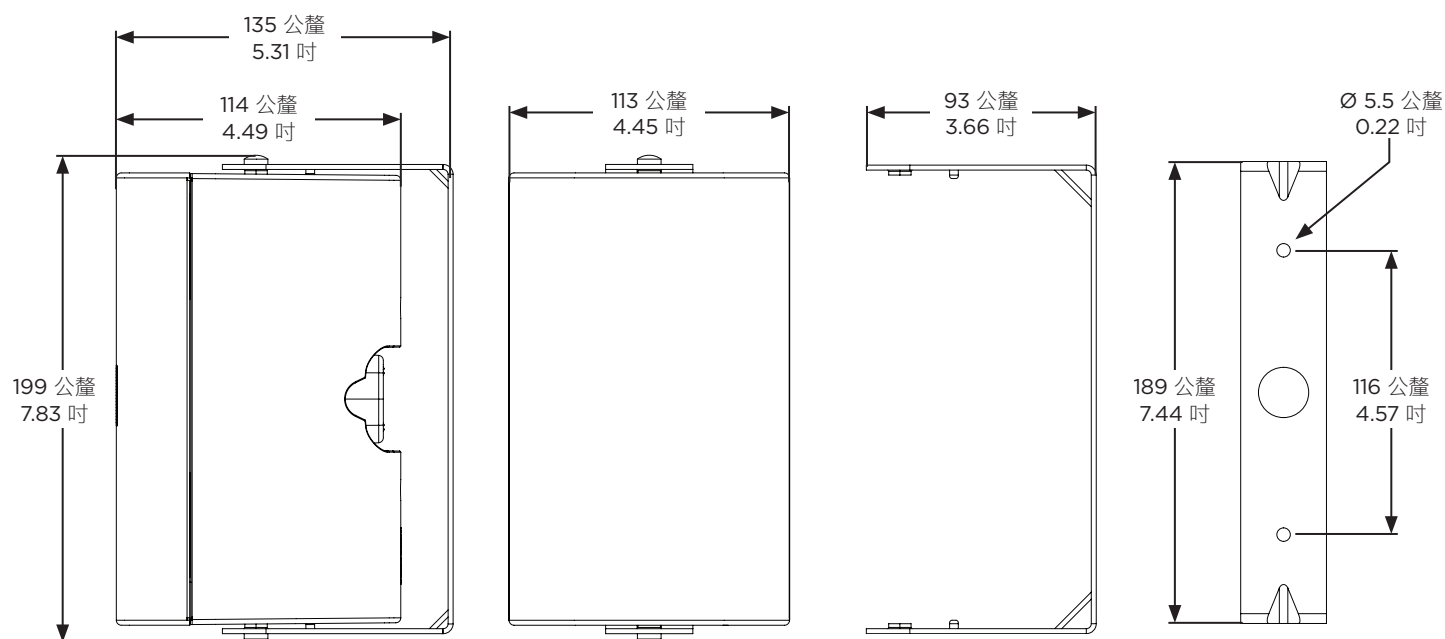
此產品享有有限保固。

如需保固詳細資料，請造訪 BoseProfessional.com/Warranty。

包裝內容物



產品尺寸



技術規格

如需其他規格資訊，請參閱 BoseProfessional.com 上的 FreeSpace FS2SE 技術資料表。有關 EN 54-24 規格 (包含所需外接 EQ)，請前往 BoseProfessional.com 網站參閱 FreeSpace FS2SE EN 54-24 認證等級 (AM857612 Rev. 01)。

外觀	
產品尺寸	高度: 199 公釐 (7.83 吋)
	寬度: 113 公釐 (4.45 吋)
	深度: 135 公釐 (5.31 吋)
淨重, 揚聲器加網罩及支架 (單件)	1.63 公斤 (3.60 磅)
裝運重量 (成對)	4.17 公斤 (9.20 磅)
環境	產品隨附防風雨輸入端子外蓋, 適用於戶外潮濕環境 (符合 EN60529 標準 IP55 環境等級、EN 54-24 認證 IP33C 環境等級)。亦提供選配的鋁合金網罩配件, 可於惡劣環境中避免紅色鏽蝕。

重要安裝資訊

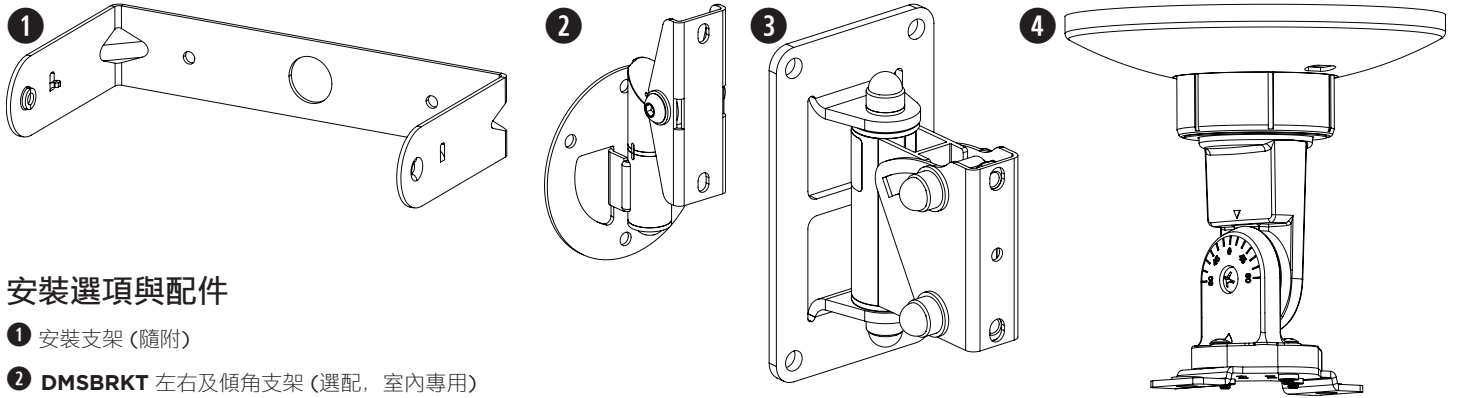


安裝揚聲器之前，請先閱讀第 65 頁的「重要安全指示」。



火災與疏散警報應用符合 EN 54-24 認證 IP33C 環境等級。
一般音訊安裝應用符合 EN60529 標準 IP55 環境等級。

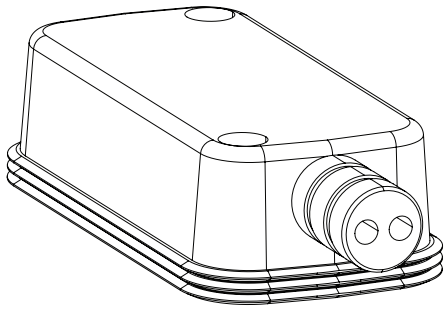
安裝選項



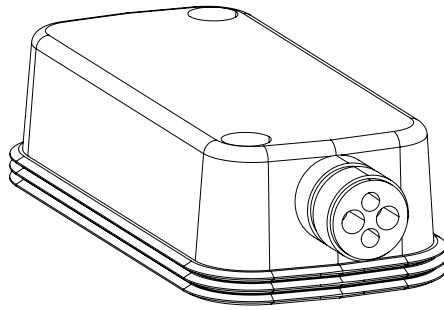
安裝選項與配件

- ❶ 安裝支架 (隨附)
- ❷ **DMSBRKT** 左右及傾角支架 (選配, 室內專用)
- ❸ **WBPWR-50** 左右及傾角支架 (選配, 戶外適用)
- ❹ **CMBS2** 天花板安裝支架 (選配; 僅供室內使用)

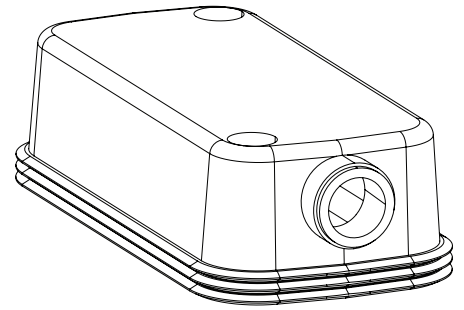
單輸入



輸出入



開放式



輸入端子外蓋準備工作

輸入端子外蓋的設計適用三種不同配線情況 (如上圖)。若要變更輸入端子外蓋配置符合您的配線需求, 請沿著橡膠導管鑲空處裁剪。針對 1/2 吋的線孔, 請使用一個 1/2 吋對 1/2 吋的螺紋耦合接頭, 以及兩個 3/8 吋管徑的導管配件 (請見下方圖表)。

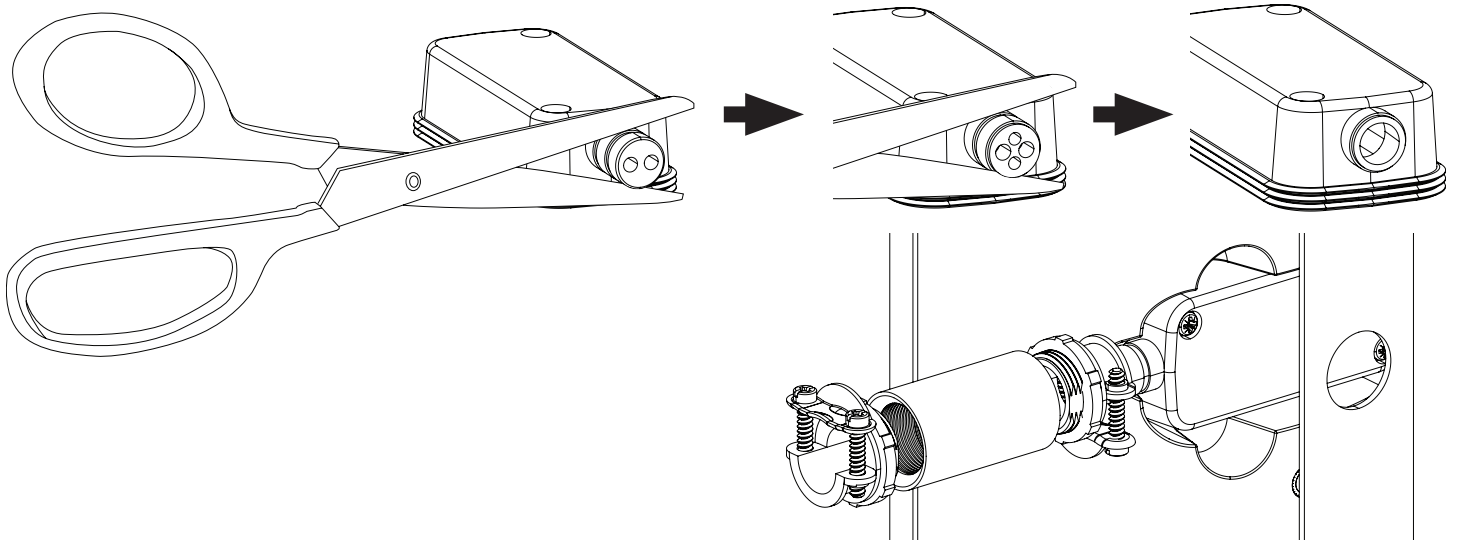


注意: 安裝具有軟管的輸入端子外蓋時, 請勿採用全開式配線。

注意: 為防止水分滲入, 請勿將輸入端子外蓋朝上安裝。

備註: 安裝人員須負責將導管密封, 以防止水滲入 Euroblock 連接端子。採用戶外級或航海級矽膠來密封所有的接線連線, 以確保緊密封。

備註: 軟管和耦合接頭必須符合 UL 標準、適用於該應用, 並依照具有管轄權的地方當局之規定進行安裝。



揚聲器接線

線規

FreeSpace FS2SE 揚聲器的設計僅可使用 18 AWG (0.8 mm²) 至 14 AWG (2.1 mm²) 的線材。

接線圖

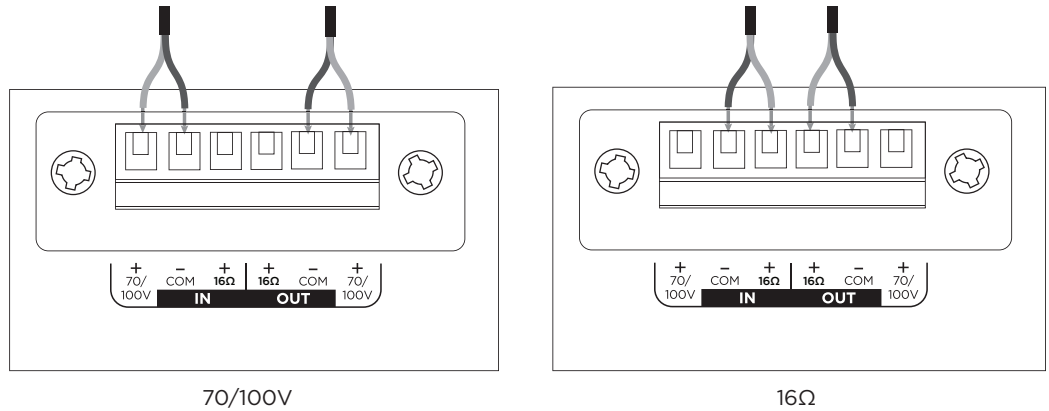
露出六公釐 (¼ 吋) 的裸線以連接至端子。

備註： 本揚聲器不適用硬式導管。本揚聲器僅適用軟性導管或配線連接。

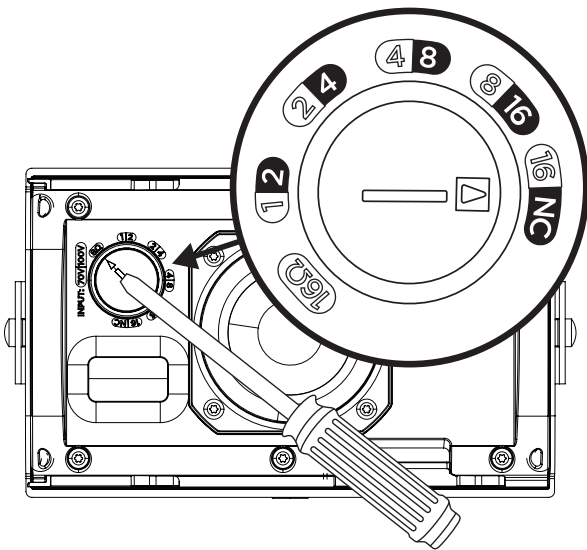
備註： 配線方式必須遵照：

於加拿大：《Canadian Electrical Code》(加拿大電氣規程) 第一部分 CSA C22.1, 「電氣安裝安全標準」第 32 條；

於美國：《National Electric Code》(美國國家電氣規程), NFPA 70 以及《National Fire Alarm and Signaling Code》(國家火災警報與信號規範), NFPA 72。



揚聲器設定



70V					
1W	2W	4W	8W	16W*	16Ω
2W	4W	8W	16W	NC**	
100V					

* 原廠預設

** NC: 無連線 (請勿使用)

變壓器抽頭設定

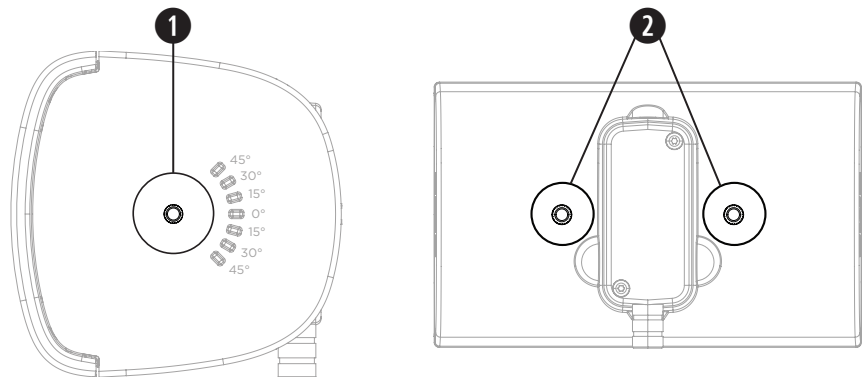
轉動以設定抽頭功率。請使用平頭螺絲起子。

使用安全纜線

部分地區的建築法規要求使用輔助方式固定揚聲器以增強結構支撐力，加強安全性。請遵守當地的建築法規和規定，選擇合適的安裝位置、方式和五金部件。

可使用外殼後方或側邊的任一螺絲吊點，將安全纜索連接至揚聲器。若要使用隨附的安裝支架來安裝揚聲器，請使用後方的任一螺絲吊點 (2)。若要在揚聲器上安裝選配的配件支架 (請見第 4 頁)，請使用側邊的任一螺絲吊點 (1)。請參見右圖，瞭解安全安裝點。

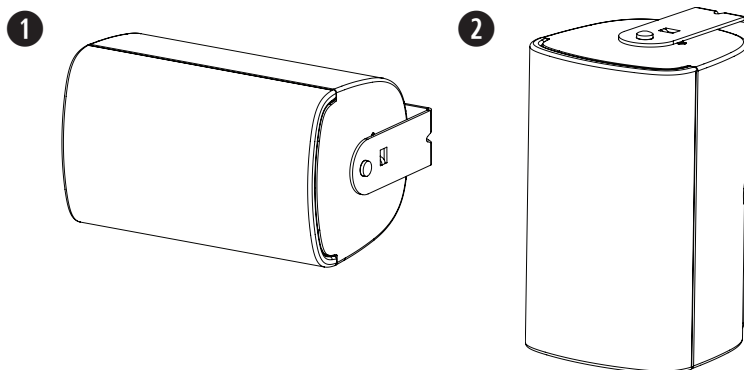
側邊吊點 (1) 適用深度 11 公釐 (0.43 吋) 的 M5 螺絲 (未隨附)。後方吊點 (2) 適用深度 12 公釐 (0.47 吋) 的 M6 螺絲 (未隨附)。



揚聲器方向

選擇最適合您安裝方式的揚聲器方向。

- ❶ 水平
- ❷ 垂直

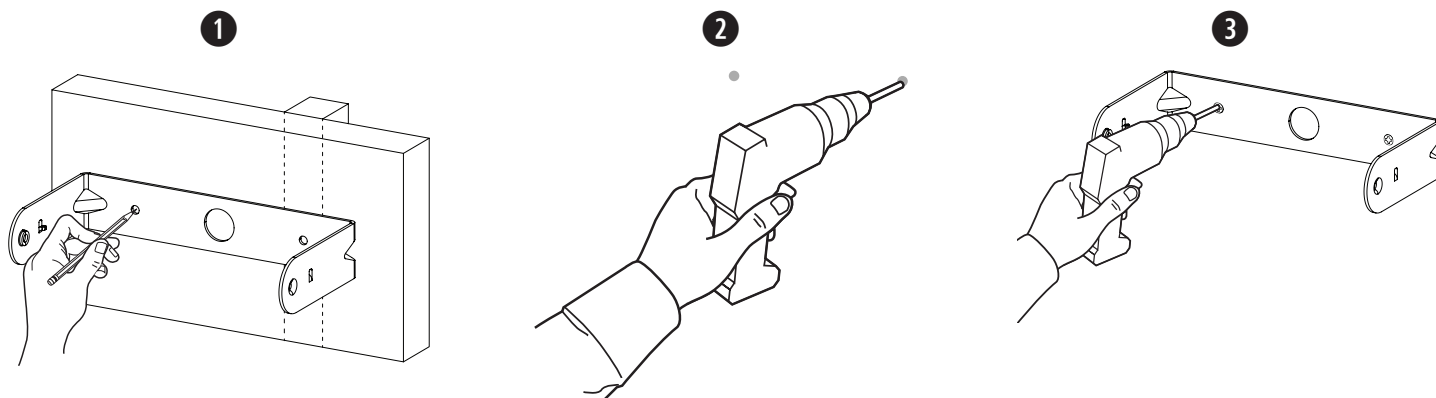


安裝支架

備註： 選擇安裝位置時，應將至少一個安裝支架的安裝點固定至支撐結構。未固定於支撐結構的安裝點必須使用合適的安裝五金部件進行固定。請選用符合所有當地建築法規和規定的緊扣件。

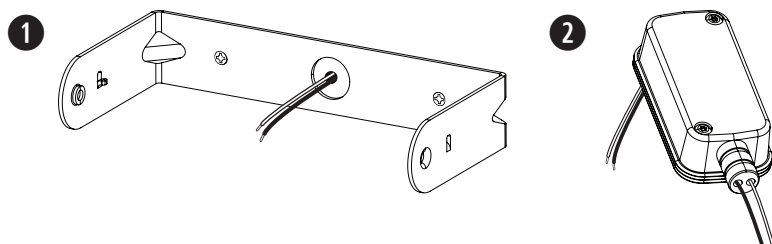
備註： 請選用合適的緊扣件，須能支撐揚聲器重量 (1.63公斤 [3.60 磅])。

1. 標記鑽孔。
2. 在牆面上鑽出兩個鑽孔 (尺寸符合合適的緊扣件)。
3. 使用兩個螺絲將支架固定於牆面 (未隨附)。 **備註：** 使用 M5 或 #10 至 24 尺寸的螺絲。



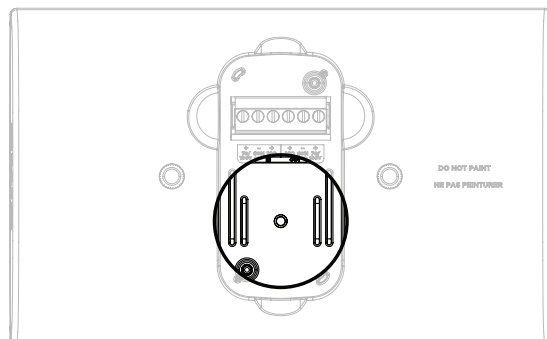
連接器接線

1. 將線路穿過支架中央孔。
2. 安裝時，請將連接線從輸入端子外蓋底部插入。請參閱第 67 頁的「輸入端子外蓋準備工作」。
3. 將線路連接至連接器。如需瞭解配線資訊，請參見第 68 頁「揚聲器接線」。



陶瓷接頭安裝點

FreeSpace FS2SE 與選配的陶瓷接頭配件相容。陶瓷接頭安裝點的位置如圖所示。有關陶瓷接頭的更多資訊，請參閱 BoseProfessional.com 上的陶瓷接頭安裝指南。

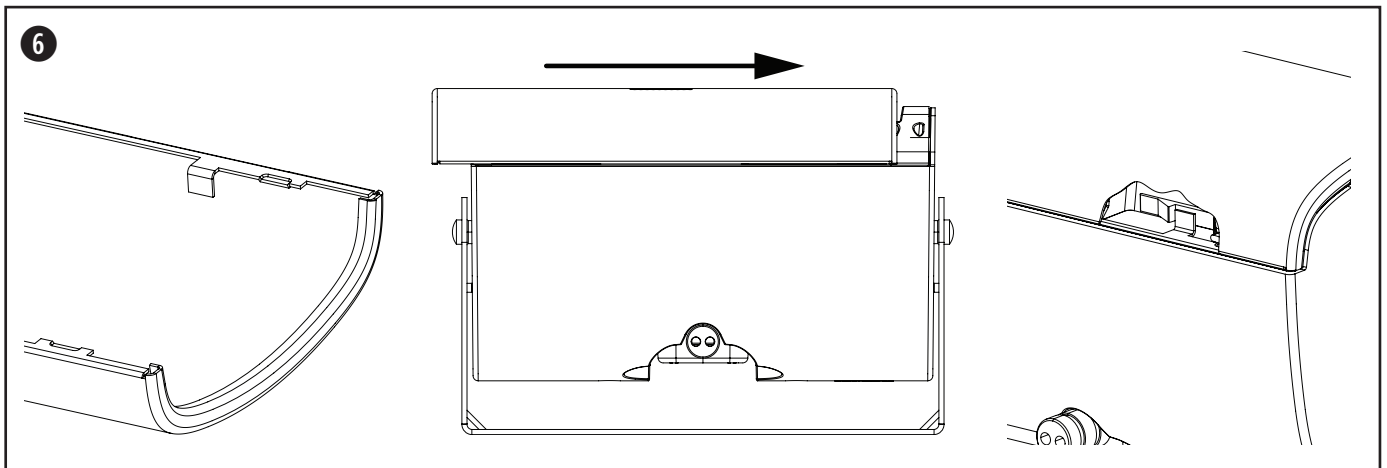
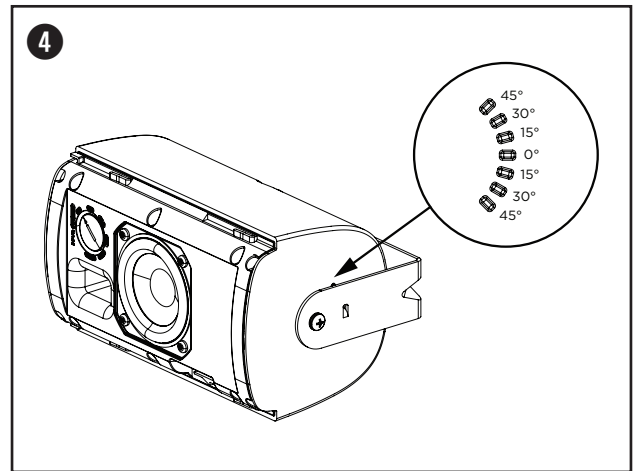
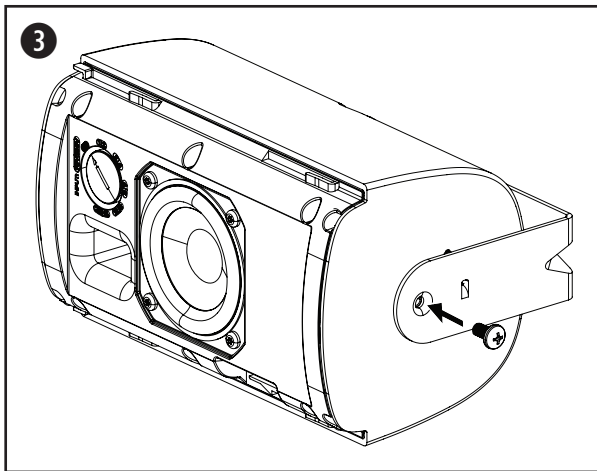
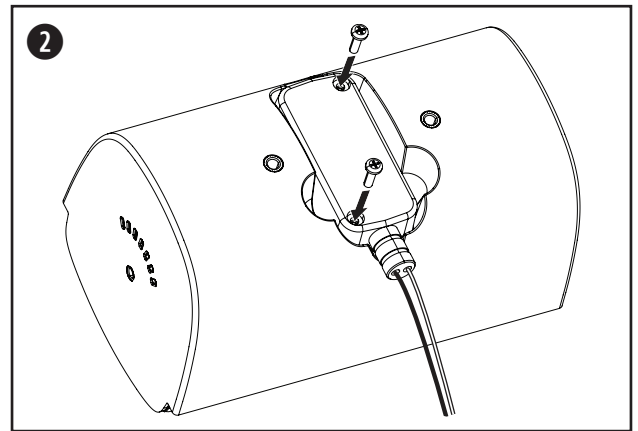
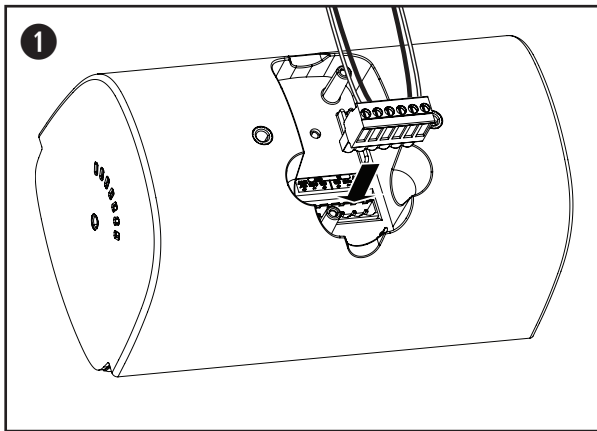


安裝揚聲器



警告：若未確實依下列步驟安裝，即可能導致安裝狀態不安全，造成墜落風險。

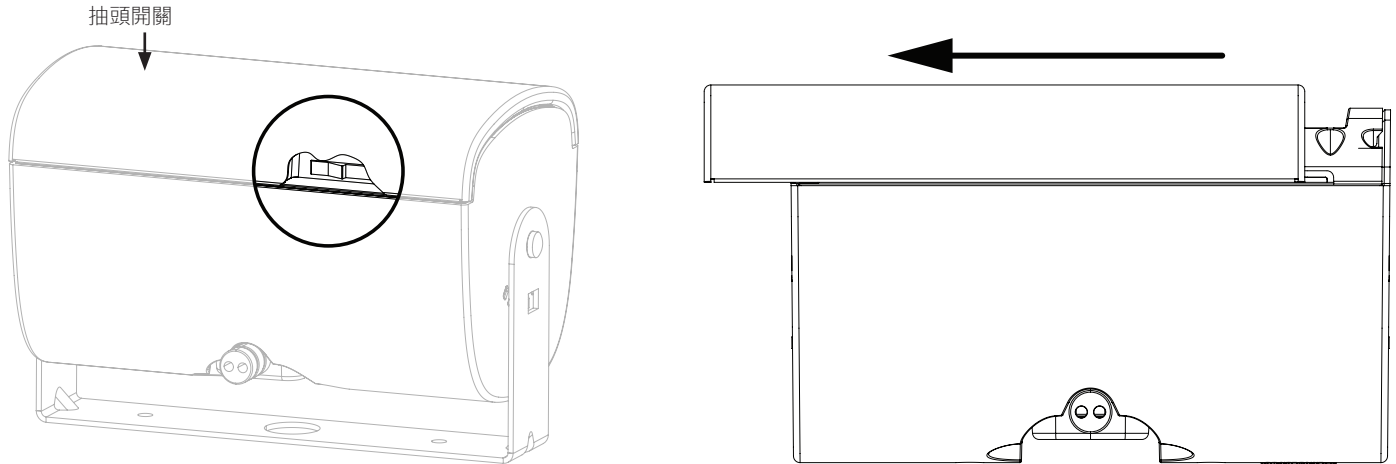
1. 將接好線的連接器安裝至揚聲器。
 2. 請將輸入端子外蓋覆蓋於輸入端子，並牢牢壓於揚聲器以形成密封。請使用隨附的兩個輸入端子外蓋螺絲來固定輸入端子外蓋。請參閱第 67 頁的「輸入端子外蓋準備工作」。
 3. 將揚聲器置於支架支臂之間，將隨附的其中一個支架螺絲裝入揚聲器側邊的螺絲吊點。
 4. 將安裝支架上的插銷對齊適合所需安裝的角度插槽，接著將揚聲器扣入支架中。
備註：揚聲器角度可調整為 0° 、 $\pm 15^\circ$ 、 $\pm 30^\circ$ 或 $\pm 45^\circ$ 。
備註：若用於戶外，請勿以向上俯仰角安裝揚聲器。
 5. 鎖緊揚聲器兩側的螺絲，將揚聲器固定於安裝支架上。請勿將螺絲鎖得過緊。
- 備註：**安裝網罩之前，請先將揚聲器功率抽頭的設定調整為適合安裝的設定。請參閱第 68 頁的「揚聲器設定」。
6. 將延伸網罩插片置於網罩內部。將其滑入定位以連接網罩。請確保延伸網罩插片連接至揚聲器外殼上的網罩鎖。



取下網罩

網罩以網罩鎖固定在揚聲器上。將小型工具插入網罩鑲空處 (直徑不超過 1.5 公釐)，即可打開網罩鎖。壓下網罩鎖時，將網罩滑出揚聲器即可將其卸下。

備註：網罩鎖位於揚聲器抽頭開關的對面側。請見下圖，瞭解網罩鎖的確切位置。



調整標誌

FreeSpace FS2SE 已預先裝有適合水平安裝的 Bose 標誌。揚聲器亦另隨附適合垂直安裝的標誌。若要移除標誌，請從揚聲器網罩上撕除。若要裝上垂直標誌，請找出網罩的中心點，將標誌背面的槽口對準網罩鑲空處。按壓標誌即可將其固定在揚聲器網罩上。

安全與規章遵循

FreeSpace FS2SE 揚聲器通過測試，符合下列規格及用途：

列為 ANSI/UL 1480-2016, CAN/ULC-S541

火災保護指示用途 – UL Category UUMW/UUMW7, 案號 S 3241. 控制號 42S9。
不適用 DC 監督式系統。

適合於戶外潮濕之處使用。

EN 54-24: 2008, 可用於火災偵測語音警報系統與建築物火災警報系統之揚聲器

環境類型: B (戶外應用)

根據 NFPA 70 2002 年《National Electric Code》(美國國家電氣規程) 第 640 條，適合使用 Class 1、Class 2 或 Class 3 配線方式安裝。

適用於符合 NFPA 70 2002 年《National Electric Code》(美國國家電氣規程) 第 760 條之火災警報器電路配線方法。

NFPA 70, 2002 年, 《National Electric Code》(美國國家電氣規程) 第 300-22 (c) 條。

NFPA 90-A, 2002 年, 《Installation of Air Conditioning and Ventilation Systems》(空調與排氣系統安裝), 第 4.3.10.2.6.5 項。

EMC 指令 89/336/EEC 與指令第 10 (1) 條, EN50081-1 與 EN50082-1 (如 CE 標誌所示)。

FreeSpace FS2SE 的設計符合下列歐洲組合系統法規所定義之要求：

《British Standard Code of Practice》(英國標準應用規範) 第 8 部分, BS 5839 (搭配陶瓷接線盤與溫度保險絲使用時)。

經測試符合 IEC60268-5。

額定覆蓋角度 (符合 UL 1480) 垂直: -3 dB 為 120°/50°; -6 dB 為 155°/25°
水平: -3 dB 為 120°/60°; -6 dB 為 155°/25°

UL 靈敏度瓦數抽頭聲壓級 dBA 在 3.1 公尺 (10 呎):

瓦數	CAN/ULC-S541 加拿大	
	70 V	100 V
1 W	77.9 dBA	—
2 W	80.8 dBA	80.8 dBA
4 W	83.3 dBA	83.3 dBA
8 W	86.0 dBA	85.9 dBA
16 W	87.7 dBA	87.7 dBA
16 Ω	87.5 dBA	—

瓦數	ANSI/UL 1480-2016 美國	
	70 V	100 V
1 W	72.4 dBA	—
2 W	74.7 dBA	74.9 dBA
4 W	77.5 dBA	77.5 dBA
8 W	80.2 dBA	80.0 dBA
16 W	82.6 dBA	82.5 dBA
16 Ω	82.6 dBA	—

給定的聲壓級是根據 UL 1480 所指定之報告方法。

頻率響應:

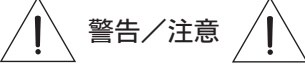
火災警報 (UL): 400 Hz 至 4 kHz

安全上の留意項目および使用方法をよく読み、いつでも参照できるように保管してください。


本製品は、専門の施工業者による設置のみを想定した製品です。本書は、一般的な固定設置システムにおける本製品の、基本的な設置と安全上のガイドラインを施工業者様に提供します。設置する前に、本書とすべての安全に関する警告をお読みください。

ご自身で製品を修理しないでください。修理が必要な際には、正規サービスセンター、ボーズ認定の施工業者、技術者、ディーラーまたはディストリビューターにお問い合わせください。Bose Professionalに連絡する、またはお近くのディーラーまたはディストリビューターを検索するには、BoseProfessional.comにアクセスしてください。


1. このガイドをよくお読みください。
2. 必要な時にご覧になれるよう、本書を保管してください。
3. すべての注意事項に留意してください。
4. すべての指示に従ってください。
5. 通気孔は塞がないでください。製造元の指示に従って設置してください。
6. ラジエータ、暖房送風口、ストーブ、その他の熱を発生する装置（アンプを含む）の近くには設置しないでください。
7. 必ず製造元より指定された付属品、あるいはアクセサリのみをご使用ください。



警告／注意



この製品には磁性材料が含まれています。体内に埋め込まれている医療機器への影響については、医師にご相談ください。



のどに詰まりやすい小さな部品が含まれています。3歳未満のお子様には適していません。

- 設置者の責任で、適用される法律および基準に準拠した、十分な耐風構造を持つサポートシステムを使用してください。
- ボーズ製品を設置する際は、必ず地域と業界指導の安全基準に従ってください。各地域の建築に関する条例や規制など、適用される全ての法律に従って本製品およびその取付金具を設置することは施工業者の責任です。本製品を設置する前に、各地域の管轄官庁に相談してください。
- この製品は屋内の水を使用するエリア（屋内プール、屋内ウォータerpark、浴室、サウナ、スチームサウナ、屋内スケートリンクなど）での設置または使用を意図していません。
- 重量物の不安定な設置や頭上吊り下げは、重傷または死亡、および設備機器等への損傷の原因となる可能性があります。適用する設置方法の信頼性を評価することは、施工業者の責任です。適切な部品および安全な設置技術の知識を持つ専門の施工業者のみが、天井へのスピーカーの設置を行うことができます。
- 設置面の強度が不十分な場合や、設置面の裏側に電線や配管などの危険物が隠れている場合は、本製品を設置しないでください。各地域の建築に関する条例に従って、認定された専門業者によりブラケットが取り付けられていることを確認してください。
- FreeSpace FS2SEには、本体付属またはボーズ指定の取り付け部品およびアクセサリのみをご使用ください。本スピーカーを取り付け面に固定するための器具は付属していません。使用可能なアクセサリの詳細については、BoseProfessional.comに用意されている、本製品のテクニカルデータシートを参照してください。
- 火気や熱源などの近くで使用しないでください。火の付いたろうそくなどの火気を、製品の上や近くに置かないでください。
- 許可なく製品を改造しないでください。
- FreeSpace FS2SEに付属している壁面取り付けブラケットは、モデルFS2SE専用です。
- スピーカーや取り付けコンポーネントを、潤滑剤、洗浄剤、接点復活剤、および炭化水素を基剤とする溶剤などを含む、ボーズ指定外の化学物質にさらさないでください。製品がこうした物質に触れると、プラスチック素材の劣化につながり、ひび割れが生じて落下事故を招くおそれがあります。
- スピーカーの汚れ落としには、必ず乾いた布をお使いください。スピーカーを石けん、洗剤、鉱油、アルコールなどの洗浄剤、化学物質に触れる可能性がある場所で使用しないでください。

仕様:


入力電圧: 70V/100V


インピーダンス: 16 Ω, 16W


電流またはパワー: (70V): 1W, 2W, 4W, 8W, 16W, (100V): 2W, 4W, 8W, 16W

規制に関する情報

Do not paint or modify factory-applied finishes.

 This product conforms to all applicable EU directive requirements. The complete declaration of conformity can be found at: www.Bose.com/compliance.

 この製品は、すべての適用される電磁両立規則2016およびその他のすべての適用される英国の規制に準拠しています。完全な適合宣言書については、次のサイトを参照してください。
www.Bose.com/compliance

 This symbol means the product must not be discarded as household waste, and should be delivered to an appropriate collection facility for recycling. Proper disposal and recycling helps protect natural resources, human health and the environment. For more information on disposal and recycling of this product, contact your local municipality, disposal service, or the shop where you bought this product.

製造日: シリアル番号の8桁目の数字は製造年を表します。「7」は2007年または2017年です。

中国における輸入元: Bose Electronics (Shanghai) Company Limited, Part C, Plant 9, No. 353 North Ruying Road, China (Shanghai) Pilot Free Trade Zone

EUにおける輸入元: Bose Products B.V., Gorslaan 60, 1441 RG Purmerend, The Netherlands

メキシコにおける輸入元: Bose de México, S. de R.L. de C.V., Paseo de las Palmas 405-204, Lomas de Chapultepec, 11000 México, D.F. 輸入元およびサポート情報: +5255(5202) 3545

台湾における輸入元: Bose Taiwan Branch, 9F-A1, No. 10, Section 3, Minsheng East Road, Taipei City 104, Taiwan. Phone Number: +886-2-2514 7676

英国における輸入元: Bose Limited, Bose House, Quayside Chatham Maritime, Chatham, Kent, ME4 4QZ, United Kingdom

Bose は Bose Corporation の商標です。

FreeSpace は Transom Post OpCo LLC の商標です。

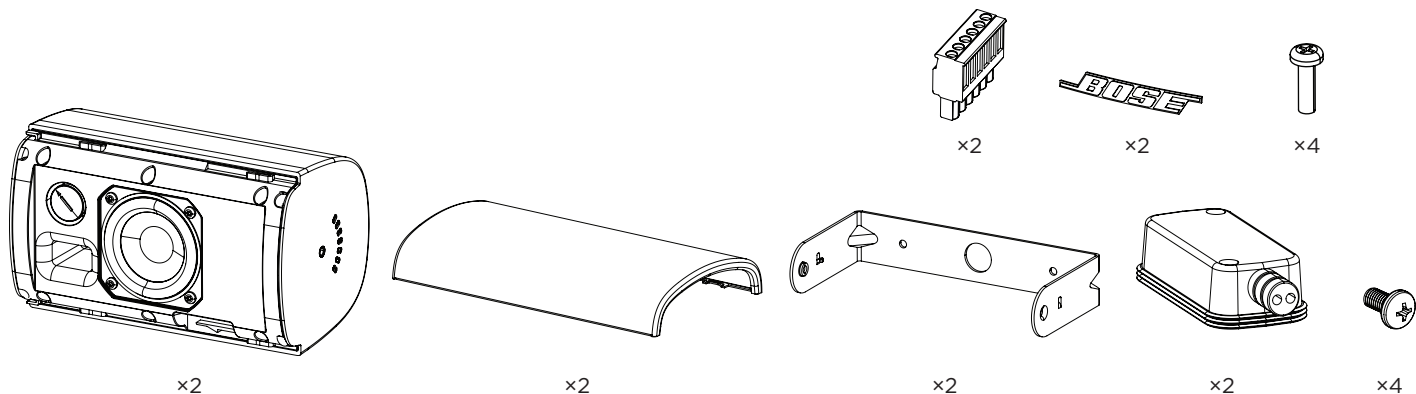
Bose Corporation, Framingham, MA 01701, U.S.A. 1-877-230-5639

©2023 Transom Post OpCo LLC. 本書のいかなる部分も、書面による事前の許可のない複製、変更、配布、その他の使用は許可されません。

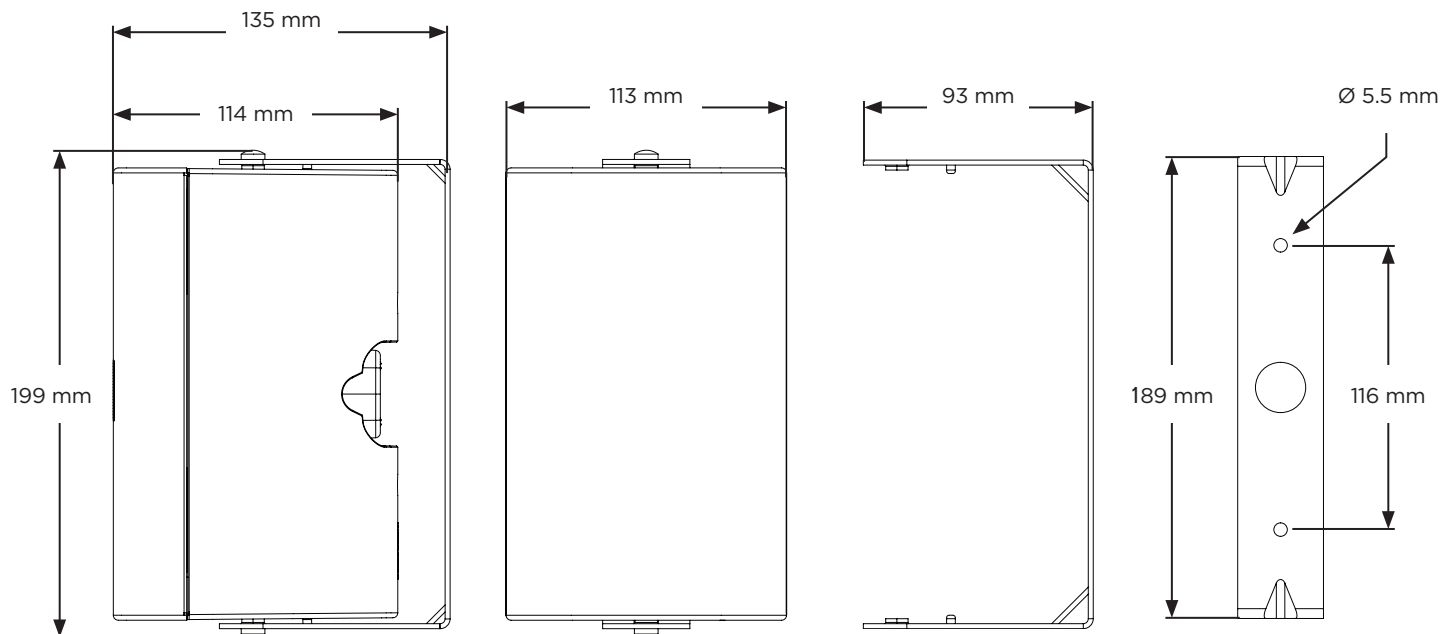
保証情報

保証の内容および条件につきましては、付属の保証書をご覧ください。保証の詳細については、BoseProfessional.com/Warrantyをご覧ください。

パッケージ内容



製品寸法



技術仕様

詳細な仕様は、BoseProfessional.comに用意されている、FreeSpace FS2SEのテクニカルデータシートを参照してください。外部EQ要件を含むEN 54-24の仕様については、BoseProfessional.comでFreeSpace FS2SEのEN 54-24認定評価 (AM857612 Rev. 01)を参照してください。

物理的仕様	
製品寸法	高さ: 199 mm
	幅: 113 mm
	奥行き: 135 mm
質量(グリルおよびブラケット装着時のスピーカー、単体)	1.63 kg
梱包質量(ペア)	4.17 kg
使用環境	付属の耐候性入力カバーを使用すると、水気の多い屋外での使用に適しています (EN60529準拠のIP55、EN 54-24準拠のIP33C)。アクセサリのオプションとして、過酷な環境下で赤さびを防止するアルミグリルを利用可能です。

設置に関する重要な情報



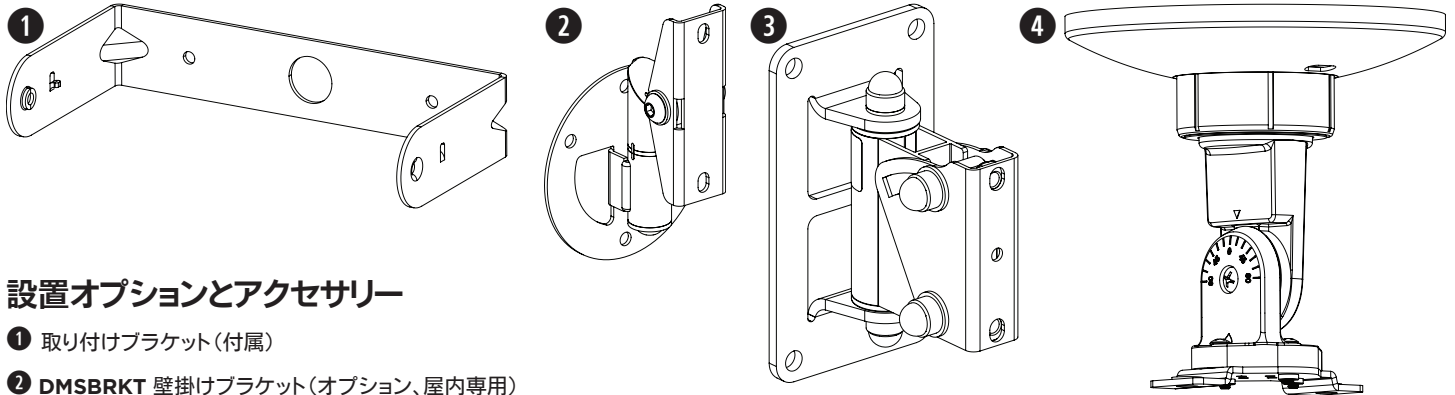
スピーカーを設置する前に、70ページの安全上の重要な注意事項をご確認ください。



火災および避難誘導の基準は、EN 54-24に準拠し、IP33Cの環境耐候性に対応しています。

汎用オーディオ設置の基準は、EN60529に準拠し、IP55の環境耐候性に対応しています。

設置オプション



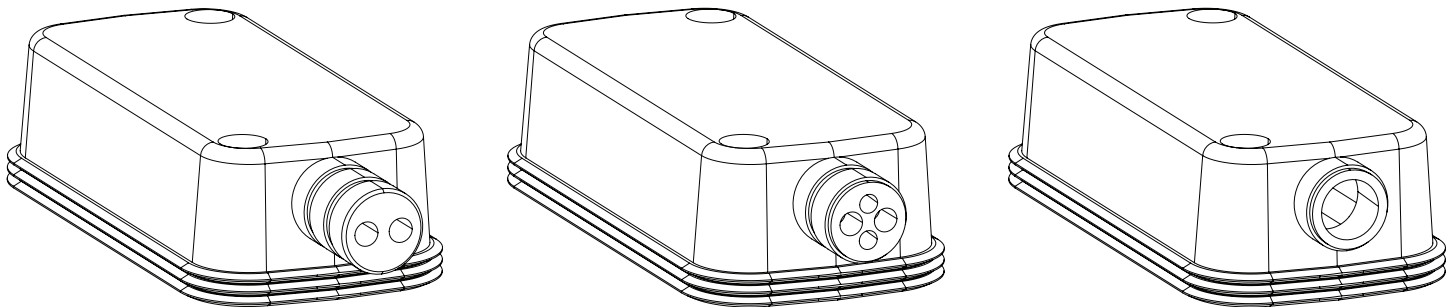
設置オプションとアクセサリ

- ① 取り付けブラケット (付属)
- ② DMSBRKT 壁掛けブラケット (オプション、屋内専用)
- ③ WBPWR-50 壁掛けブラケット (オプション、屋外用)
- ④ CMBS2天井吊り下げブラケット (オプション、屋内専用)

単一入力

入力および出力

開口



入力カバーの準備

入力カバーは、上記3つの各配線パターンに対応するように設計されています。ゴム管の点線に沿って切り取ることで、お使いの配線パターンに合わせて入力カバーの構成を変更することができます。両側が1/2インチ径のネジ式カップリングと、1/2インチノックアウト用の導管器具(所要寸法3/8インチ)を2つ使用してください(下の図を参照)。

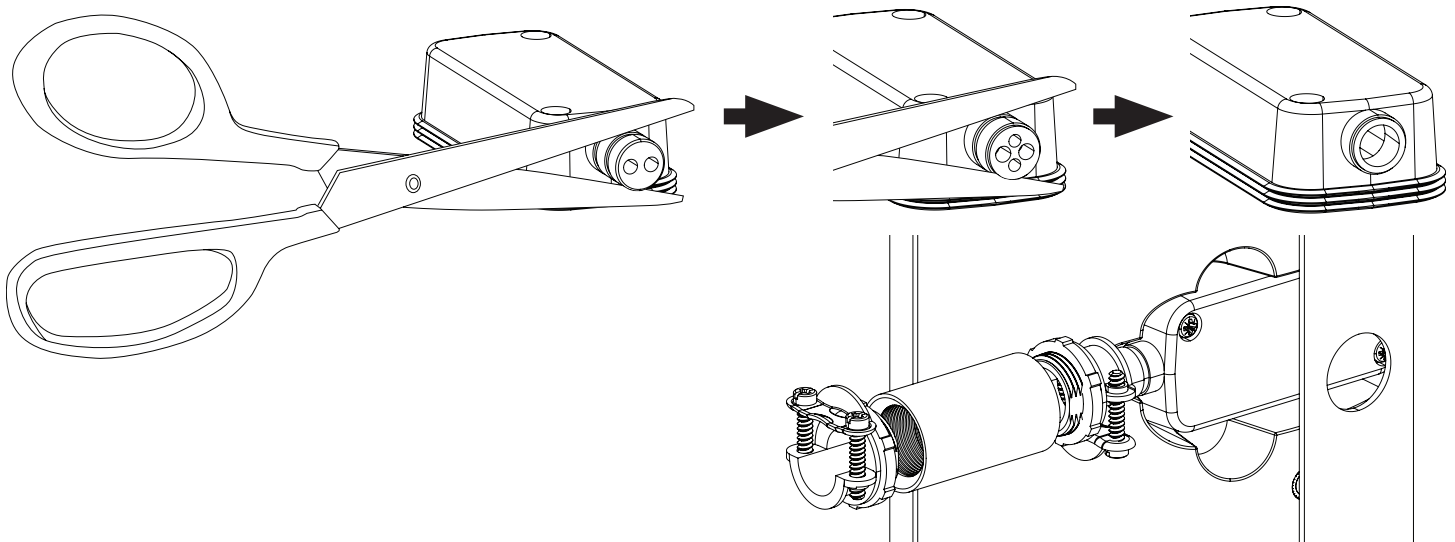


注意: フレキシブル導管と入力カバーを取り付ける場合は、開口の配線形式は使用しないでください。

注意: 水の侵入を防ぐため、入力カバーを上向きに取り付けしないでください。

注: ユーロブロックコネクタへの水の侵入を防ぐために、設置者の責任で密閉してください。屋外仕様や海洋仕様のシリコンを使用して、すべてのケーブル接続をしっかりと保護してください。

注: フレキシブル導管とカップリングはUL準拠である必要があります。また、用途に適したもので、各地域の管轄官庁の規制に従う必要があります。



スピーカーの配線

ケーブルゲージ

FreeSpace FS2SEで使用できるケーブルのゲージは、18 AWG (0.8 mm²)～14 AWG (2.1 mm²)のみです。

接続図

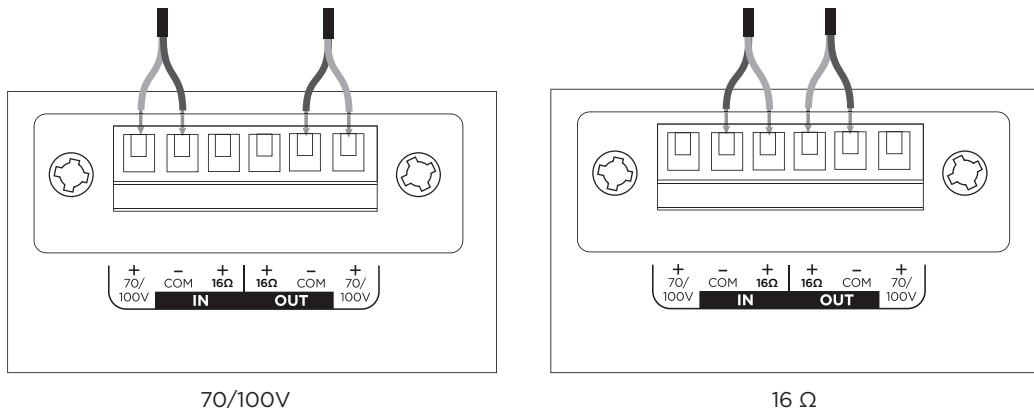
裸線を長さ6 mm (1/4インチ) 露出して端子に接続します。

注: 本スピーカーは、固定導管の使用には対応しておらず、フレキシブル導管またはケーブル接続のみに適しています。

注: 配線は、以下に従って行う必要があります。

カナダ: CSA C22.1, Canadian Electrical Code, パート1, Safety Standard for Electrical Installations, セクション32

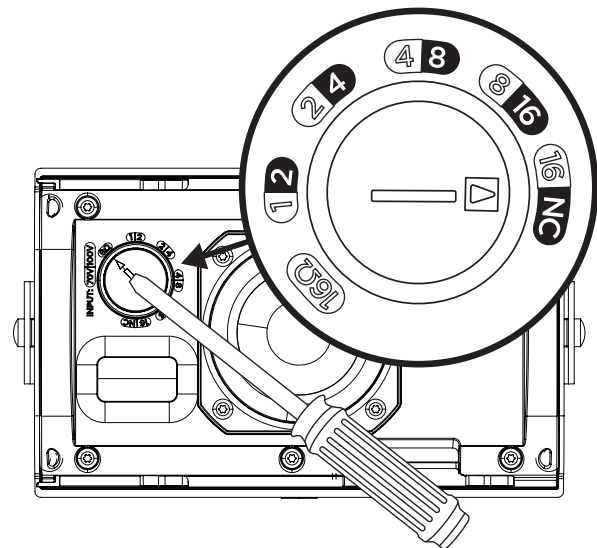
米国: The National Electrical Code, NFPA 70およびNational Fire Alarm and Signaling Code, NFPA 72



70/100V

16 Ω

スピーカーの設定



70V					
1W	2W	4W	8W	16W*	16Ω
2W	4W	8W	16W	NC**	
100V					

*工場出荷時設定

**NC: 未接続(使用しない)

トランスフォーマータップの設定

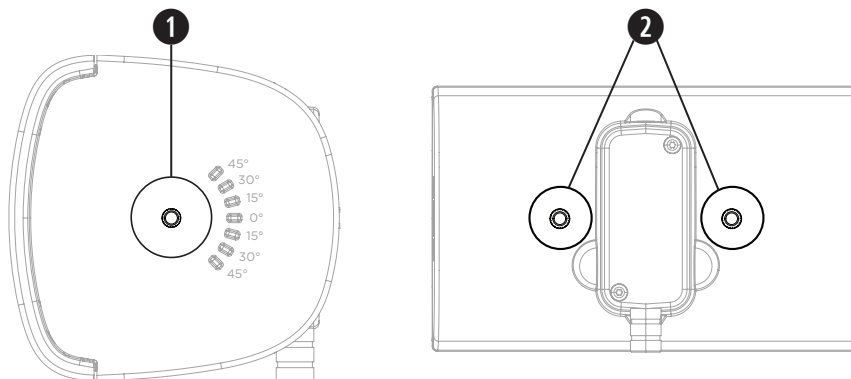
回転させてタップを設定します。マイナスドライバーを使用します。

安全ケーブルの使用

お住まいの地域により、安全性の強化のため、スピーカーの構造物に対する固定に二次的な方法も用いることが法令により義務づけられている場合があります。適用される建築基準や規制を満たす設置場所や設置方法、器具を選択してください。

本スピーカーに安全ケーブルを取り付けるときは、筐体の背面または側面にあるネジ穴のいずれかを使用してください。スピーカーの取り付けに付属の取り付けブラケットを使用する場合は、背面のネジ穴(2)のいずれかを使用します。スピーカーにオプションのアクセサリブラケット(4ページを参照)を取り付ける場合は、側面のネジ穴(1)のいずれかを使用します。安全器具の取り付けポイントについては、右の図を参照してください。

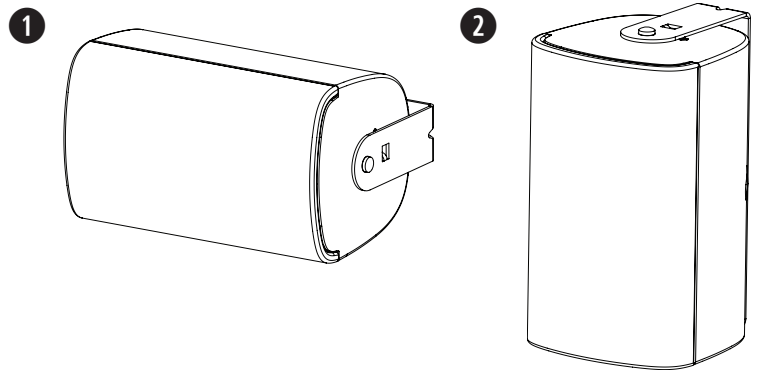
側面のネジ穴(1)はM5ネジ用で、深さは11 mmです(M5ネジを別途用意する必要があります)。背面のネジ穴(2)はM6ネジ用で、深さは12 mmです。



スピーカーの向き

設置環境に合わせて最適なスピーカーの向きを選択します。

- ① 横向き
- ② 縦向き

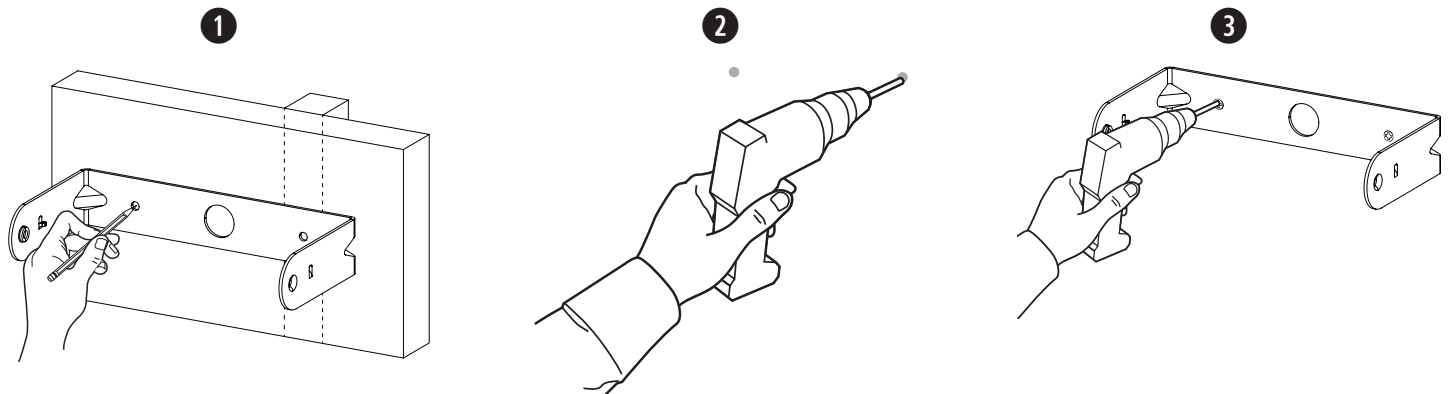


ブラケットを取り付ける

注: 取り付け位置を決める際、取り付けブラケットの取り付けポイントの1箇所以上を、支持構造に固定する必要があります。取り付けポイントが支持構造にしっかり固定されない場合、取り付ける際に適切な補強器具を使用して固定してください。各地域の建築基準と要件すべてに適合する留め具を選択してください。

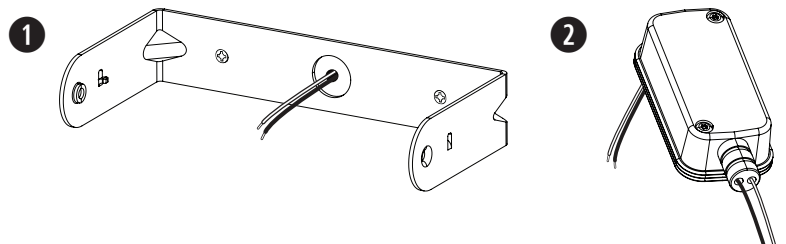
注: スピーカーの重量 (1.63 kg) を支えるのに適した留め具を選択してください。

1. 穴を開ける位置に印を付けます。
2. 壁に穴(使用する留め具の大きさ)を2つ開けます。
3. ネジを2つ(付属していません)使い、ブラケットを壁に固定します。注: M5または#10-24サイズのネジをします。



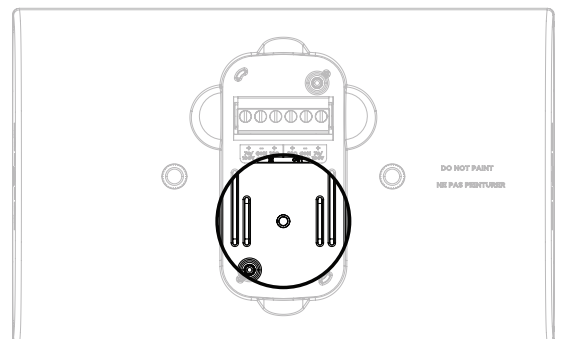
コネクターを配線する

1. ケーブルは、ブラケットの中央の穴を通します。
2. 入力カバーの底にケーブルを挿入します。「入力カバーの準備」(74ページ)を参照してください。
3. コネクターに配線します。配線について詳しくは、「スピーカーの配線」(75ページ)を参照してください。



セラミックターミナルの取り付けポイント

FreeSpace FS2Cはオプションのセラミックターミナルアクセサリに対応しています。セラミックターミナルの取り付けポイントは、図を参照してください。セラミックターミナルの詳細については、BoseProfessional.com に用意されている、セラミックターミナルの設置ガイドを参照してください。

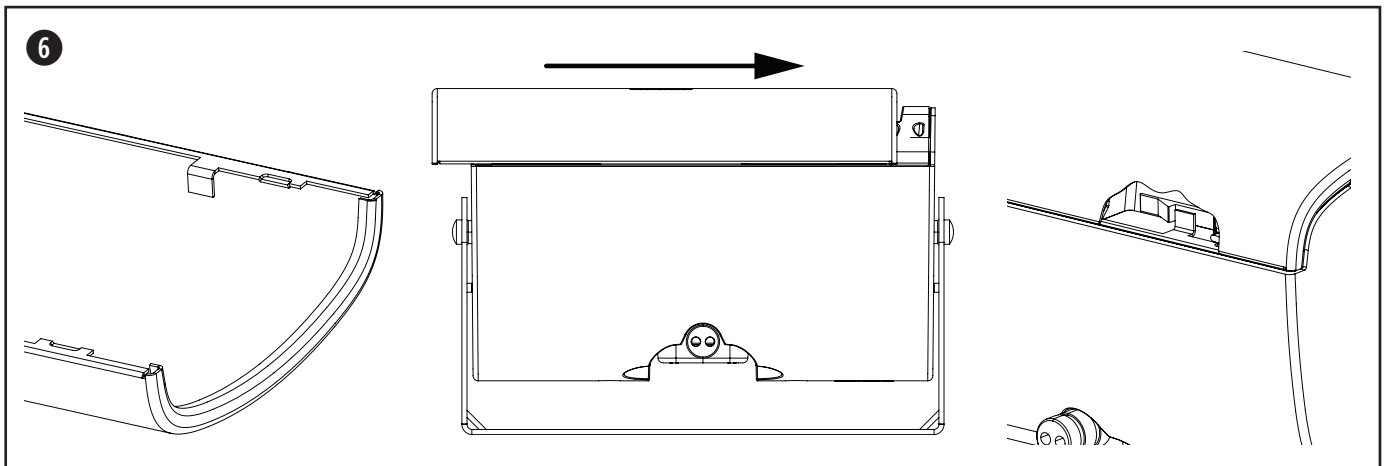
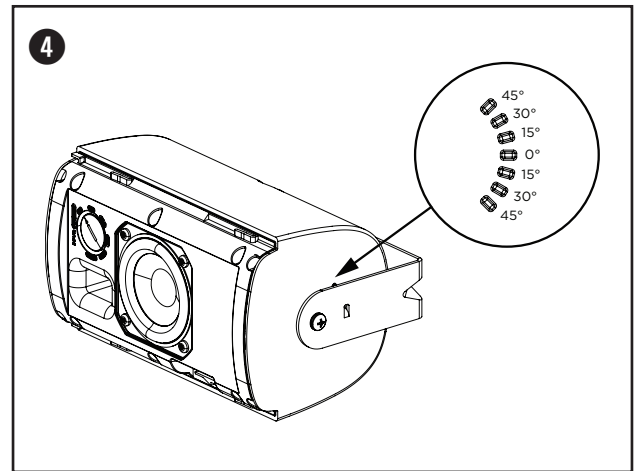
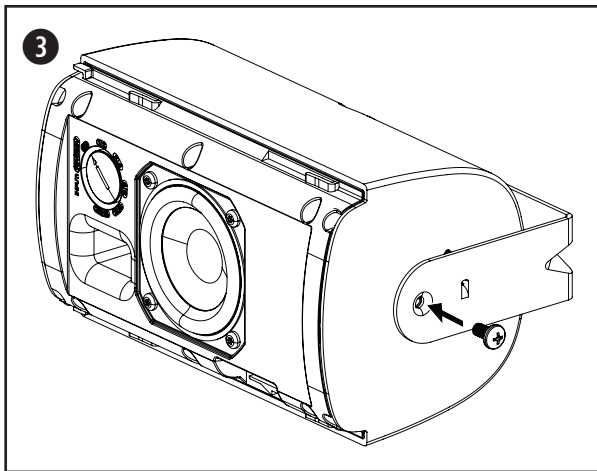
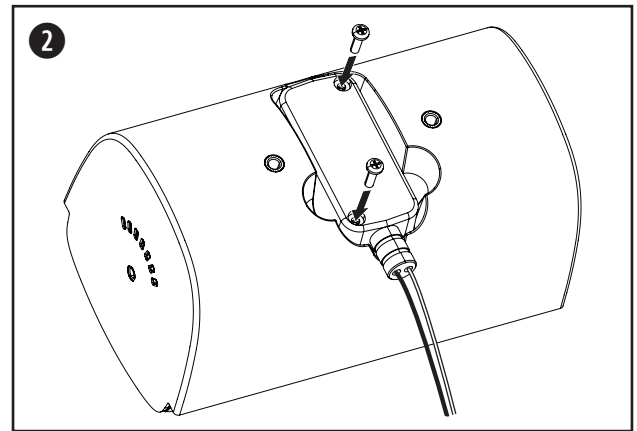
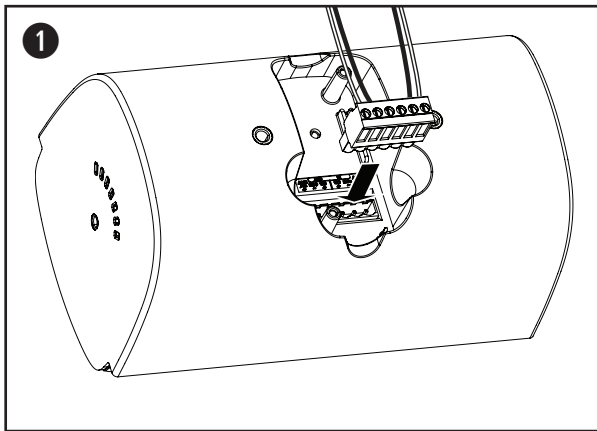


スピーカーを取り付ける



警告: 下記の手順に従わない場合、設置が不安定になり、落下事故の原因となる可能性があります。

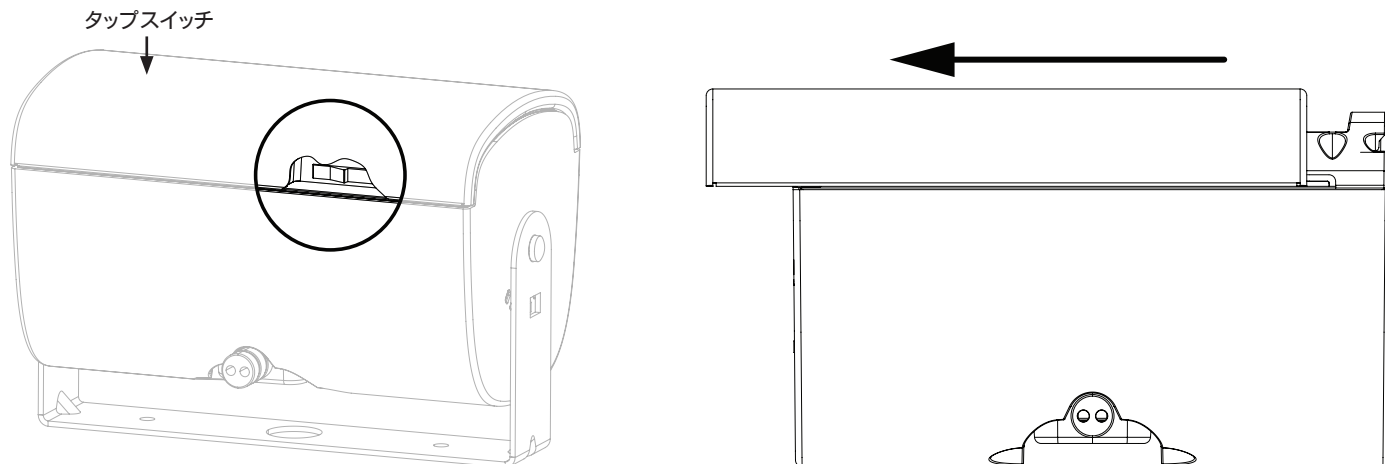
1. 配線済みのコネクタをスピーカーに取り付けます。
2. 入力カバーをコネクタの上から取り付け、スピーカーに強く押し付けてしっかりと密閉します。付属の入力カバーネジ(x2)を使用して入力カバーを固定します。「入力カバーの準備」(74ページ)を参照してください。
3. スピーカーをブラケットアーム間に差し込み、付属のブラケットネジをスピーカー各側面のネジ穴に挿入します。
4. 取り付けブラケットのピンを、取り付けに適した角度スロットに合わせ、ブラケットをスピーカーにはめ込みます。
注: スピーカーの角度は、 0° 、 $\pm 15^\circ$ 、 $\pm 30^\circ$ 、 $\pm 45^\circ$ に調節できます。
注: 屋外用ではスピーカーを上向きに取り付けしないでください。
5. スピーカー両側面のネジを締め、スピーカーを取り付けブラケットに固定します。ネジを締めすぎないようにしてください。
注: グリルの取り付けの前に、設置に合わせてスピーカーのタップ設定を適切な値に調整します。75ページのスピーカーの設定を参照してください。
6. グリルの内側に出ているグリルタブの位置を確認します。グリルをスライドさせてはめ込みます。グリルから出ているグリルタブがスピーカー筐体のグリルロックに固定されていることを確認してください。



グリルの取り外し

グリルはグリルロックで固定されています。グリルの穴(直径最大1.5 mm)から小型の工具を差し込んで、固定されているグリルロックを外します。グリルロックが外れた状態でグリルをスライドさせてスピーカーから外します。

注: グリルロックはスピーカーのタップスイッチとは逆側にあります。グリルロックの位置については下の図を参考にしてください。



ロゴの向きを調整する

FreeSpace FS2SEには横向き用のBoseロゴがあらかじめ取り付けられています。スピーカーには、縦向き用のロゴも別に用意されています。ロゴを取り外すには、スピーカーグリルからはぎ取ります。縦置き用のロゴを取り付けるには、グリルの中心を確認し、ロゴ背面の突起をグリルの穴に合わせます。ロゴを押し込んでスピーカーグリルに固定します。

安全上のコンプライアンス

FreeSpace FS2SEは幅広いテストに合格しており、次の仕様と用途に準拠しています。

ANSI/UL 1480-2016, CAN/ULC-S541認証

防火信号用途 - UL Category UUMW/UUMW7, File Number S 3241Control Number 42S9.
DC監視システムには使用しない

屋外の水気の多い場所での使用に対応

EN 54-24: 2008, Loudspeaker for Voice Alarm Systems for Fire Detection and Fire Alarm Systems for Buildings

環境タイプ: B(屋外用途)

NFPA 70, 米国電気規格(2002年、第640条)に準拠したクラス1、クラス2、クラス3の配線による設置に対応

NFPA 70, 米国電気規格(2002年、第760条)に準拠した火災警報回路配線方法の使用に対応

NFPA 70, 米国電気規格、2002年、第300-22(c)条

NFPA 90-A, 2002年、Installation of Air Conditioning and Ventilation Systems、第4.3.10.2.6.5節

CEマークの表示、およびEMC指令89/336/EECおよび指令の第10(1)条、EN50081-1およびEN50082-1に準拠。

FreeSpace FS2SEは、組み合わせシステム向けの以下の欧州規制仕様で規定されている要件に適合するように設計されています。

英国規格実務規則BS 5839、パート8(セラミックブロック端子および温度ヒューズを併用する場合)

IEC60268-5のテストを実施。

公称カバーレージ角度(UL 1480に準拠)

垂直: -3 dBで120°/50°、-6 dBで155°/25°

水平: -3 dBで120°/60°、-6 dBで155°/25°

UL、3.1m(10フィート)での感度ワット数タップ音圧レベル(dBA):

ワット数	CAN/ULC-S541 加拿大		ワット数	ANSI/UL 1480-2016 米国		
	タップ	70 V		100 V	タップ	70 V
1 W		77.9 dBA	—	1 W	72.4 dBA	—
2 W		80.8 dBA	80.8 dBA	2 W	74.7 dBA	74.9 dBA
4 W		83.3 dBA	83.3 dBA	4 W	77.5 dBA	77.5 dBA
8 W		86.0 dBA	85.9 dBA	8 W	80.2 dBA	80.0 dBA
16 W		87.7 dBA	87.7 dBA	16 W	82.6 dBA	82.5 dBA
16 Ω		87.5 dBA	—	16 Ω	82.6 dBA	—

表記されているSPLはUL 1480指定のレポート方法に準拠しています。

周波数特性:

火災報知器(UL): 95 Hz~17000 Hz

المعلومات التنظيمية

لا تقم بطلاء أو إجراء تعديلات على الأسطح الخارجية التي يضعها المصنع.

يتوافق هذا المنتج مع كل متطلبات توجيه الاتحاد الأوروبي المعمول بها. ويمكن العثور على البيان الكامل للتوافق على: www.Bose.com/compliance.



يتوافق هذا المنتج مع جميع لوائح التوافق الكهرومغناطيسي المعمول بها لعام 2016 وجميع لوائح المملكة المتحدة الأخرى المعمول بها. ويمكن العثور على إعلان المطابقة الكامل في الموقع التالي: www.Bose.com/compliance.



يشير هذا الرمز إلى أنه يجب عدم التخلص من المنتج مع النفايات المنزلية ويجب تسليمه إلى منشأة مناسبة لجمع النفايات بهدف إعادة تدويره. ويساعد التخلص السليم وإعادة التدوير في حماية الموارد الطبيعية وصحة الإنسان والبيئة. للحصول على مزيد من المعلومات حول التخلص من هذا المنتج وإعادة تدويره، اتصل بالبلدية المحلية أو خدمة التخلص من النفايات أو المتجر الذي اشترت منه هذا المنتج.



تاريخ التصنيع: يشير الرقم الثامن في الرقم التسلسلي إلى سنة التصنيع؛ حيث يشير الرقم "7" إلى 2007 أو 2017.

المستورد في الصين: Bose Electronics (Shanghai) Company Limited, Part C, Plant 9, No. 353 North Ruying Road, China (Shanghai) Pilot Free Trade Zone

المستورد في الاتحاد الأوروبي: RG Purmerend, The 1441, 60 Bose Products B.V., Gorslaan, Netherlands

المستورد في المكسيك: Bose de México, S. de R.L. de C.V., Paseo de las Palmas 405-204, Lomas de Chapultepec, 11000 México, D.F 3545 (5202) 5255+

المستورد في تايوان: Minsheng East Road, Taipei, 3 Section, 10. No. 9F-A1, Bose Taiwan Branch, Taiwan, 104 City رقم الهاتف: +886-2-2514 7676

المستورد في المملكة المتحدة: Bose Limited, Bose House, Quayside Chatham Maritime, Chatham 4QZ Kent, ME4 بالمملكة المتحدة

Bose Corporation هي علامة تجارية لشركة Bose Corporation

FreeSpace هي علامة تجارية لشركة Transom Post OpCo LLC

Bose Corporation, Framingham, MA 01701, U.S.A. 1-877-230-5639

حقوق الطباعة والنشر © للعام 2023 لشركة Transom Post OpCo LLC. يجب عدم استنساخ أي جزء من هذا المستند أو تعديله أو توزيعه أو حتى استخدامه بدون إذن خطي مسبق.

معلومات حول الضمان

يأتي هذا المنتج مع ضمان محدود.

للحصول على تفاصيل حول الضمان، تفضل بزيارة BoseProfessional.com/Warranty.

يرجى قراءة كل إرشادات السلامة والاستخدام والاحتفاظ بها.

هذا المنتج مصمم للتركيب بواسطة فني التركيب المتخصص فقط! يهدف هذا المستند إلى تزويد فني التركيب المتمرسين بإرشادات التركيب والسلامة الأساسية لهذا المنتج في أنظمة التركيب الثابت النموذجية. يرجى قراءة هذا المستند وكل تحذيرات السلامة قبل محاولة التركيب.

لا تحاول صيانة هذا الجهاز بنفسك. بل قم بإحالة جميع أعمال الصيانة إلى مراكز الخدمات أو متخصصي التركيب أو الفنيين أو الوكلاء أو الموزعين المعتمدين. للتواصل مع خبير من Bose Professional أو للعثور على وكيل أو موزع بالقرب منك، تفضل بزيارة موقع الويب BoseProfessional.com.

1. اقرأ هذه الإرشادات.
2. احتفظ بهذه الإرشادات.
3. انتبه إلى كل التحذيرات.
4. اتبع كل الإرشادات.
5. لا تقم بسد أي فتحات للتهوية. ركب المنتج وفقاً لإرشادات الشركة المصنعة.
6. لا تترك المنتج بالقرب من أي مصادر للحرارة، مثل أجهزة التدفئة أو فتحات التدفئة أو المواقد أو غيرها من الأجهزة (بما في ذلك مضخمات الصوت) التي ينتج عنها حرارة.
7. لا تستخدم سوى المرفقات/الملحقات التي تحددها الشركة المصنعة.



تحذيرات/تنبيهات

يحتوي هذا المنتج على مادة مغناطيسية. استشير طبيبك لمعرفة ما إذا كان سيؤثر ذلك في أي أجهزة طبية مزروعة في جسمك.



يحتوي المنتج على أجزاء صغيرة قد تشكل خطر الاختناق. غير مناسب للأطفال دون 3 سنوات.



- يتحمل فني التركيب مسؤولية استخدام نظام دعم يحظى بقوة حمل كافية للامتثال للقوانين والمعايير السارية.
- يجب تركيب كل منتجات Bose Professional وفقاً للوائح المحلية والحكومية والفيدرالية والصناعية. يتحمل فني التركيب المتخصص مسؤولية ضمان تركيب مكبرات الصوت ونظام التثبيت بالتوافق مع كل القوانين المطبقة، بما في ذلك قوانين ولوائح البناء المحلية. يرجى مراجعة السلطات المحلية صاحبة الاختصاص قبل تركيب هذا المنتج.
- قد يتسبب التثبيت أو التعليق العلوي غير الآمن لأي حمل ثقيل بوقوع إصابات خطيرة أو الوفاة، وتلف الممتلكات. وتقع على عاتق فني التركيب مسؤولية تقييم مدى موثوقية أي طريقة تثبيت يتم استخدامها. يجب ألا يحاول تركيب أي مكبرات صوت علوية التعليق إلا فنيو التركيب المحترفون الذين يتمتعون بالمعرفة اللازمة بالمعدات المناسبة وطرق التثبيت الآمنة.
- لا تقم بالتركيب على أسطح غير متينة أو تنطوي على مخاطر خفية، مثل الأسلاك الكهربائية أو أنابيب المياه. احرص على يقوم فني تركيب محترف ومؤهل بتركيب الكتيبة وبما يتوافق مع قوانين البناء المحلية.
- لا تستخدم سوى المعدات والملحقات المضمنة أو المحددة من قبل Bose Professional للاستخدام مع مكبرات الصوت FreeSpace FS2SE. لا يتم إرفاق أجهزة تثبيت مكبر الصوت على سطح التركيب. للحصول على معلومات حول الملحقات المتوافقة، راجع ورقة البيانات الفنية الخاصة بالمنتج على BoseProfessional.com.
- أبق المنتج بعيداً عن مصادر اللهب والحرارة. يجب عدم وضع أية مصادر للهب المكشوف، مثل الشموع المشتعلة، فوق المنتج أو بالقرب منه.
- لا تقم بإجراء أي تعديلات غير مصرح بها على هذا المنتج.
- لا تُستخدم كتيبة التثبيت على الحائط الخاصة بمكبر الصوت FreeSpace FS2SE إلا مع الطراز FS2SE.
- لا تعرّض مكبر الصوت أو مكونات التركيب لأي مواد كيميائية غير تلك التي تحددها شركة Bose Professional، بما في ذلك على سبيل المثال لا الحصر، مواد التزييت أو مواد التنظيف أو بخاخات التلاصق أو المذيبات القائمة على الهيدروكربون. فقد يؤدي التعرض لمواد مماثلة إلى تحلل المواد البلاستيكية، مما قد يتسبب بتصدّع المنتج في وقت مبكر وبخطر السقوط.
- لا تنظف مكبرات الصوت إلا باستخدام قطعة قماش جافة. ولا تعرّض مكبر الصوت للصابون أو المنظفات أو الزيوت المعدنية أو الكحول أو غيرها من مواد التنظيف أو المواد الكيميائية.

تصنيفات المنتج:

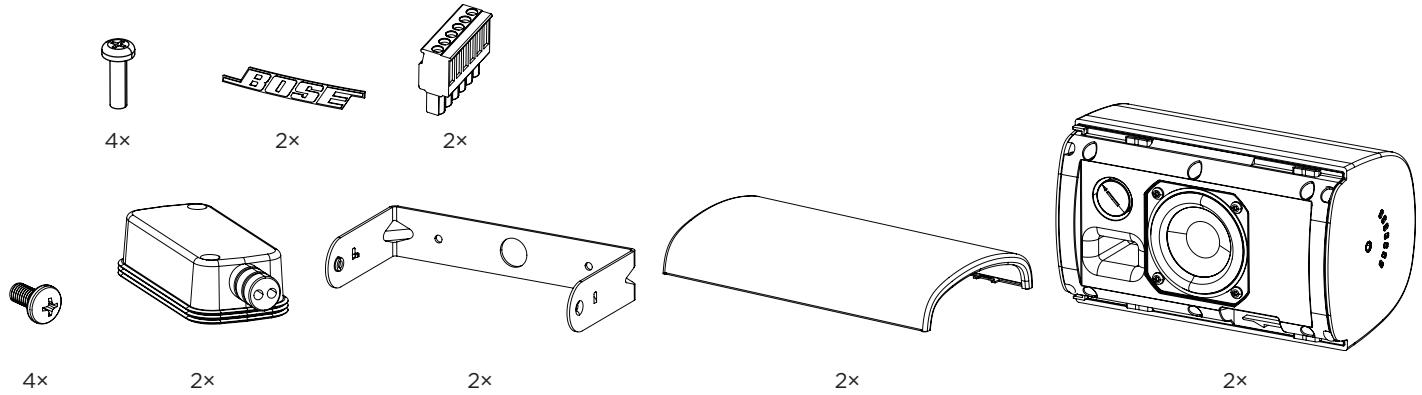
الجهد الكهربائي للدخل: 70 فولت/100 فولت

المعاوقة: 16 أوم، 16 أوم

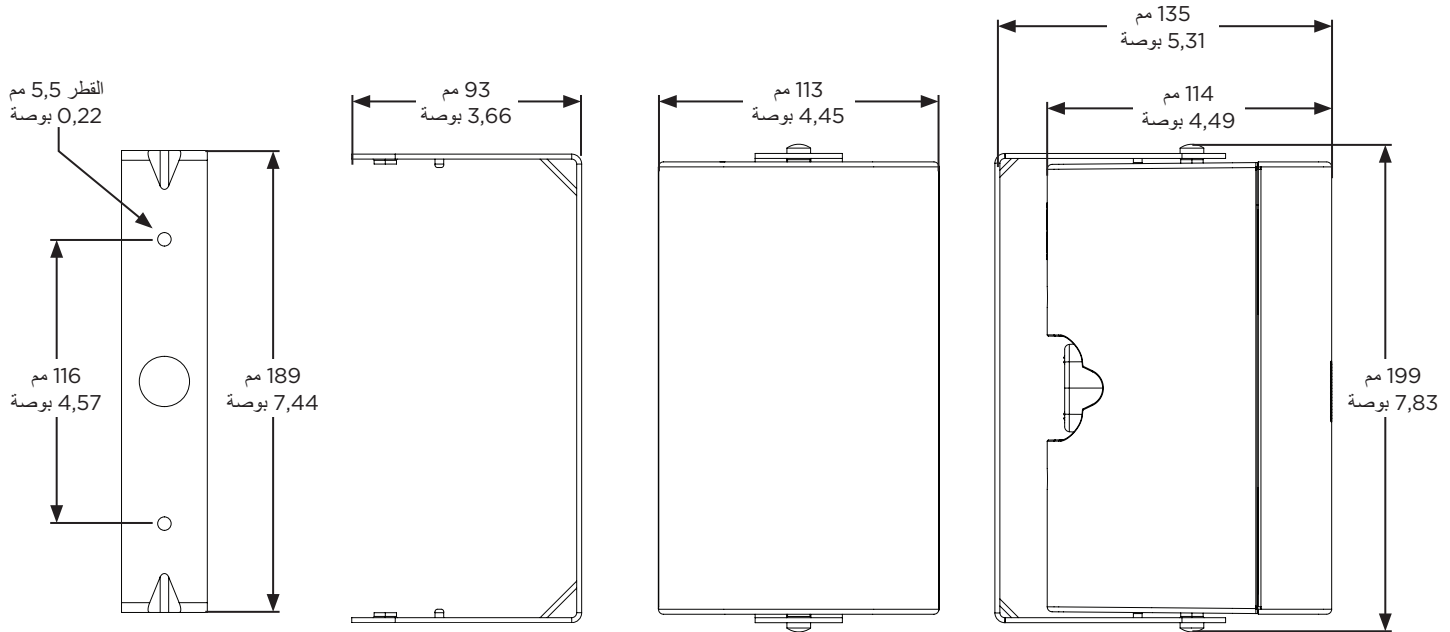
التيار أو الطاقة: (70 فولت): 1 واط، 2 واط، 4 واط، 8 واط، 16 واط؛ (100 فولت): 2 واط،

4 واط، 8 واط، 16 واط

محتويات العبوة



أبعاد المنتج



معلومات هامة حول التركيب

قبل تركيب مكرر الصوت، راجع القسم إرشادات مهمة حول السلامة في الصفحة 79.

استخدامات إخطار الحريق والإخلاء، بيئي، تصنيف IP33C بحسب 24-54 EN.

لاستخدامات التركيبات الصوتية العامة، بيئي، تصنيف IP55 بحسب EN60529.

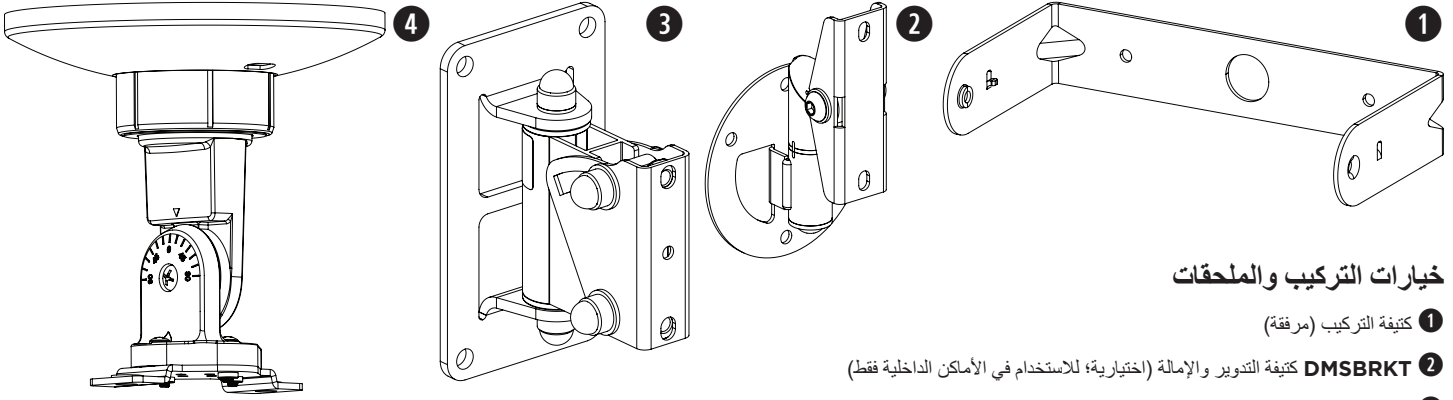


المواصفات الفنية

للحصول على مواصفات إضافية، راجع ورقة البيانات الفنية لمكبر الصوت FreeSpace FS2SE على BoseProfessional.com للحصول على مواصفات EN 24-54 (بما في ذلك الموازن الخارجي المطلوب)، راجع تصنيفات FreeSpace FS2SE EN 24-54 المعتمدة على BoseProfessional.com (01.Rev AM857612).

مادي	أبعاد المنتج
الارتفاع: 199 مم (7,83 بوصة)	
العرض: 113 مم (4,45 بوصة)	
العمق: 135 مم (5,31 بوصة)	
الوزن الصافي لمكبر الصوت مع الحاجر الشبكي والكتيفة (فردى)	1,63 كجم (3,60 رطلاً)
وزن الشحن (زوج)	4,17 كجم (9,20 رطلاً)
البيئة	مناسب للاستخدام في الأماكن الرطبة مع غطاء الدخول المضيق والمقاوم لظروف الطقس (IP55) بحسب EN60529؛ IP33C بحسب EN 24-54). يتوفر حاجر شبكي من الألومنيوم كملحق اختياري مخصص للبيئات القاسية، لنفاذي التآكل المؤذي إلى الصدا.

خيارات التركيب



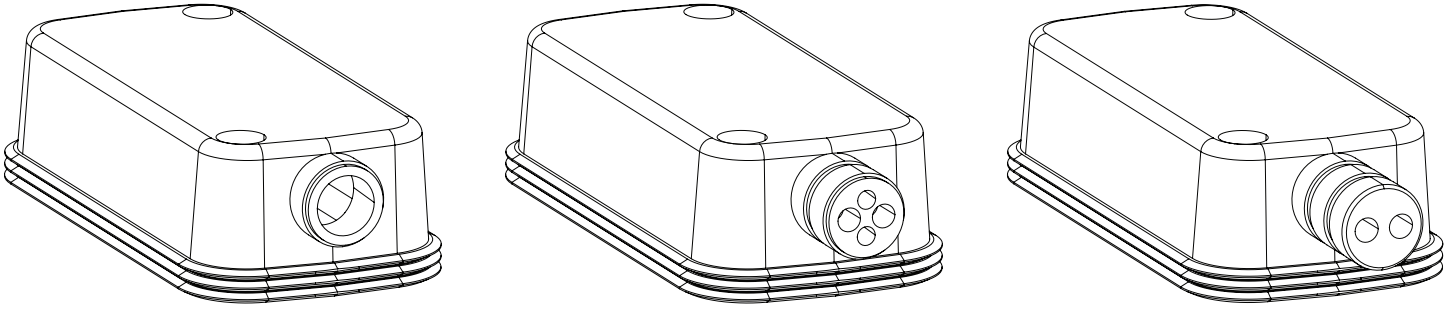
خيارات التركيب والملحقات

- 1 كتيفة التركيب (مرفقة)
- 2 كتيفة التنوير والإمالة (اختيارية؛ للاستخدام في الأماكن الداخلية فقط)
- 3 كتيفة التنوير والإمالة (اختيارية؛ للاستخدام في الأماكن الخارجية)
- 4 كتيفة التثبيت في السقف (اختيارية؛ للأماكن الداخلية فقط)

مفتوحة

بالداخل والخارج

فردية



تحضير غطاء الإدخال

تم تصميم غطاء الإدخال ليناسب ثلاثة سيناريوهات مختلفة لتوصيل الأسلاك (انظر أعلاه). لتغيير تكوين غطاء الإدخال لدعم سيناريو توصيل الأسلاك لديك، اقطع على طول الثقوب الموجودة على القناة المطاطية. استخدم قارئة مسننة واحدة يبلغ قطر فتحتها نصف بوصة وتجهيز تي ماسورة بحجم تداول يبلغ 8/3 بوصات لثبتيات بحجم نصف بوصة (راجع الرسم التوضيحي أدناه).

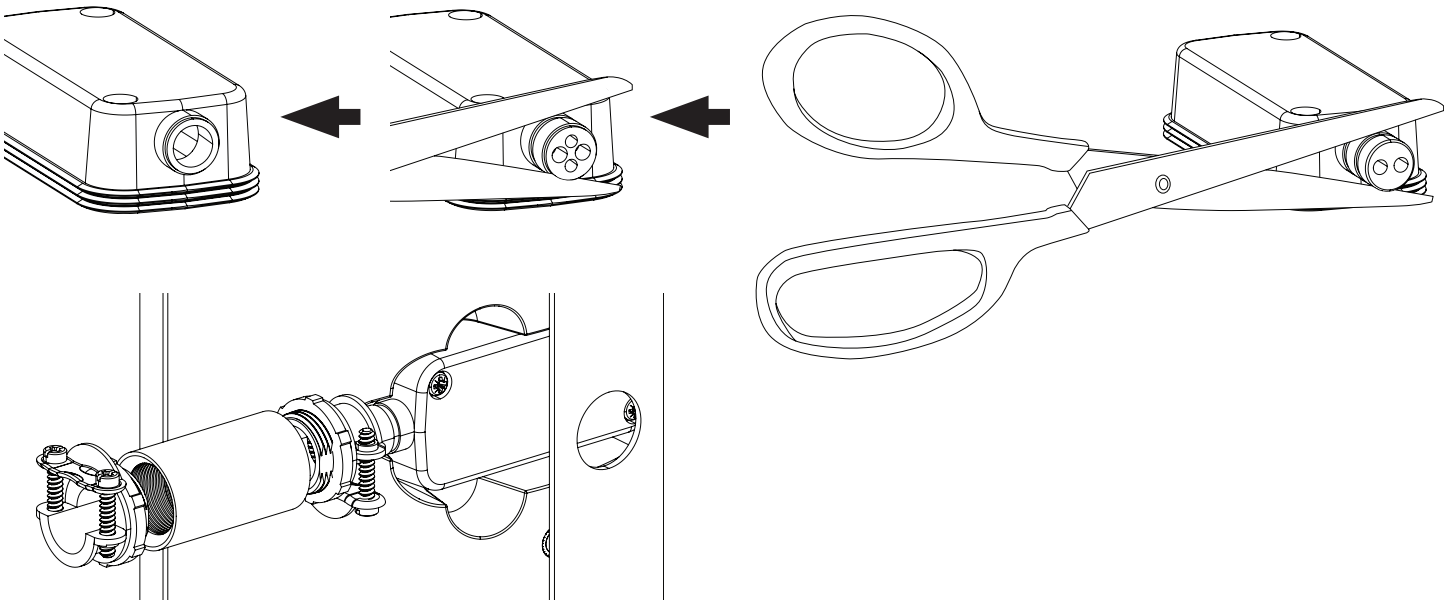
تنبيه: لا تستخدم سيناريو الأسلاك المكشوفة بالكامل عند تركيب غطاء الإدخال باستخدام ماسورة مرنة.

تنبيه: لتفادي دخول الماء، لا تركيب غطاء الدخل مع توجيهه نحو الأعلى.



ملاحظة: يتحمل اختصاصي التركيب مسؤولية منع تسرب المياه إلى موصل Euroblock. استخدم السيليكون المخصص للأماكن الخارجية أو السيليكون من الفئة البحرية لإغلاق كل توصيلات الأسلاك، ولضمان غلق محكم.

ملاحظة: يجب أن تكون الفارنات والمواسير المرنة معتمدة من قبل UL ومناسبة للتطبيق ومرغبة وفقاً للسلطات المحلية صاحبة الاختصاص القضائي.



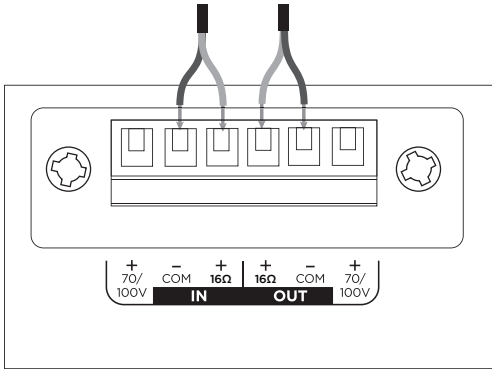
توصيل أسلاك مكبر الصوت

قياس الأسلاك

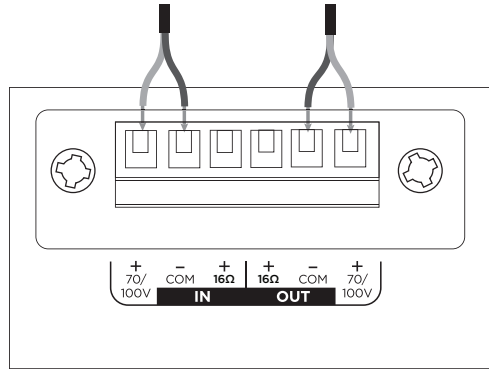
تم تصميم مكبر الصوت FreeSpace FS2SE للعمل بأسلاك مقاس 18 بمعيار السلك الأمريكي (0,8 مم²) إلى 14 بمعيار السلك الأمريكي (2,1 مم²) فقط.

مخططات التوصيل

اكتشف ستة مليمترات (4/1 بوصة) من السلك العاري لتوصيله بالأطراف.



16 أوم



100/70 فولت

ملاحظة: مكبر الصوت ليس مخصصًا للاستخدام مع مجرى صلب، بل يناسب مكبر الصوت مجرى مرناً أو توصيلات الأسلاك فقط.

ملاحظة: يجب أن تتوافق طريقة توصيل الأسلاك مع: في كندا، CSA C22.1، القانون الكهربائي الكندي، الجزء الأول، معيار السلامة للتركيبات الكهربائية، القسم 32؛

في الولايات المتحدة، القانون الكهربائي الوطني، NFPA 70، والقانون الوطني لإنذارات الحريق وتبادل الإشارات، NFPA 72.

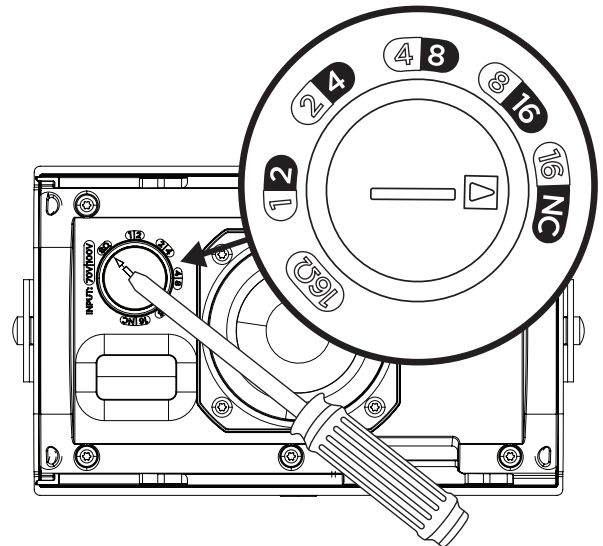
إعدادات مكبر الصوت

70 فولت					
16 أوم	1 واط	2 واط	4 واط	8 واط	16 واط*
	2 واط	4 واط	8 واط	16 واط	**NC
100 فولت					

* القيمة الافتراضية للشركة المصنعة ** NC: بدون توصيل (لا تستخدمه)

إعداد تفرع المحوّل

تثبيت التفرع بإدارته. استخدم مفك براغي برأس مسطح.

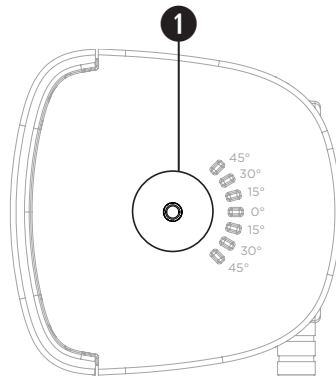
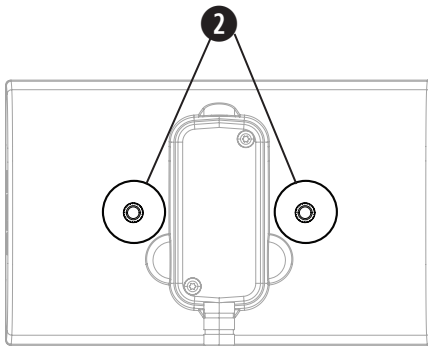


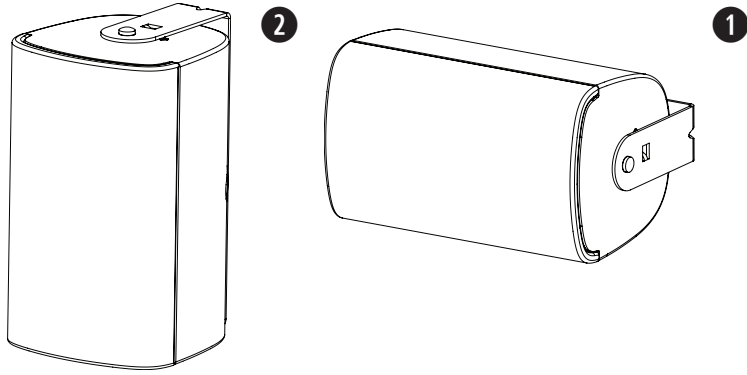
استخدام كبل الأمان

تتطلب بعض قوانين البناء الإقليمية استخدام طريقة ثانوية لتثبيت مكبرات الصوت بإحكام، بهدف دعم الهياكل وتوفير مستوى إضافي من الأمان. اختر وضعية وطريقة ومعدات للتركيب متوافقة مع قوانين ولوائح البناء المحلية.

يمكن توصيل كبل أمان بمكبر الصوت باستخدام إحدى الفتحات اللولبية إما في الجهة الخلفية أو أحد جانبي من العلبة. في حال تركيب مكبر الصوت باستخدام كثيفة التركيب المرفقة، فاستخدم إحدى الفتحات اللولبية الخلفية (2). في حال تركيب مكبر الصوت باستخدام إحدى الكثافات الملحقة الاختيارية (راجع الصفحة 4)، فاستخدم إحدى الفتحات اللولبية الجانبية (1). راجع الرسم البياني الموجود في الجهة اليسرى لمعرفة نقاط التثبيت الآمنة.

يُنسَج حجم الفتحات الجانبية (1) لبراغي M5 (غير مرفقة) بعمق 11 مليمترًا (0,43 بوصة). يَنسَج حجم الفتحات الخلفية (2) لبراغي M6 بعمق 12 مليمترًا (0,47 بوصة).





اتجاه مكبر الصوت

اختر اتجاه مكبر الصوت الذي يناسب عملية التركيب على أفضل نحو.

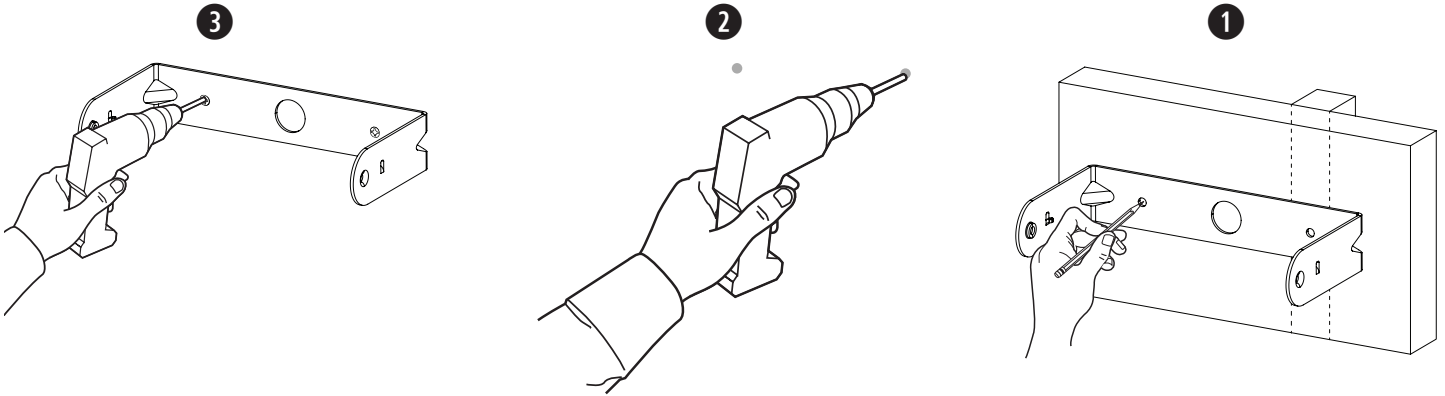
- 1 أفقي
- 2 رأسي

تركيب الكتيفة

ملاحظة: عند اختيار موقع التركيب، يجب تثبيت واحدة على الأقل من نقاط توصيل كتيفة التركيب بهيكل الدعم. يجب تثبيت نقاط التوصيل غير المثبتة بهيكل دعم باستخدام الأجهزة المناسبة للتركيب. اختر المشابك المتوافقة مع كل قوانين ولوائح البناء المحلية.

ملاحظة: اختر المشابك المناسبة لدعم وزن مكبر الصوت (1,63 كجم [3,60 رطلاً]).

1. عَم فتحات الثقب.
2. انقب فتحتين (بحجم المشابك المناسبة) في الجدار.
3. تثبت الكتيفة بالحائط باستخدام برغيين (غير مرفقين). **ملاحظة:** استخدم براغي M5 أو براغي مقاس رقم 10-24.

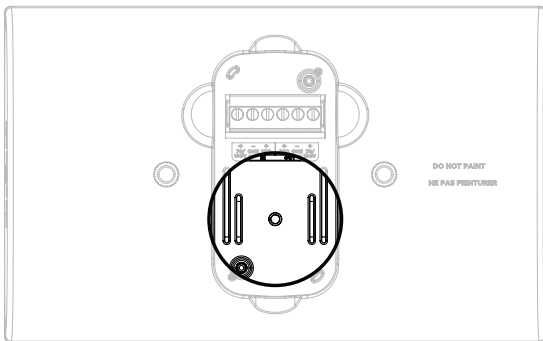


توصيل الموصل سلكياً

1. مزر الأسلاك عبر الفتحة الوسطى من الكتيفة.
2. أدخل الأسلاك عبر الجزء السفلي من غطاء الإدخال. راجع تحضير غطاء الإدخال في الصفحة 81.
3. اربط الموصل سلكياً. للحصول على معلومات حول توصيل الأسلاك، راجع توصيل أسلاك مكبر الصوت في الصفحة 82.

نقطة توصيل الطرف المصنوع من السيراميك

يتوافق FreeSpace FS2SE مع ملحق طرف اختياري مصنوع من السيراميك. راجع الرسم البياني لمعرفة مكان نقطة توصيل الطرف المصنوع من السيراميك. للحصول على مزيد من المعلومات حول الطرف المصنوع من السيراميك، راجع دليل تريبك الطرف المصنوع من السيراميك على BoseProfessional.com.

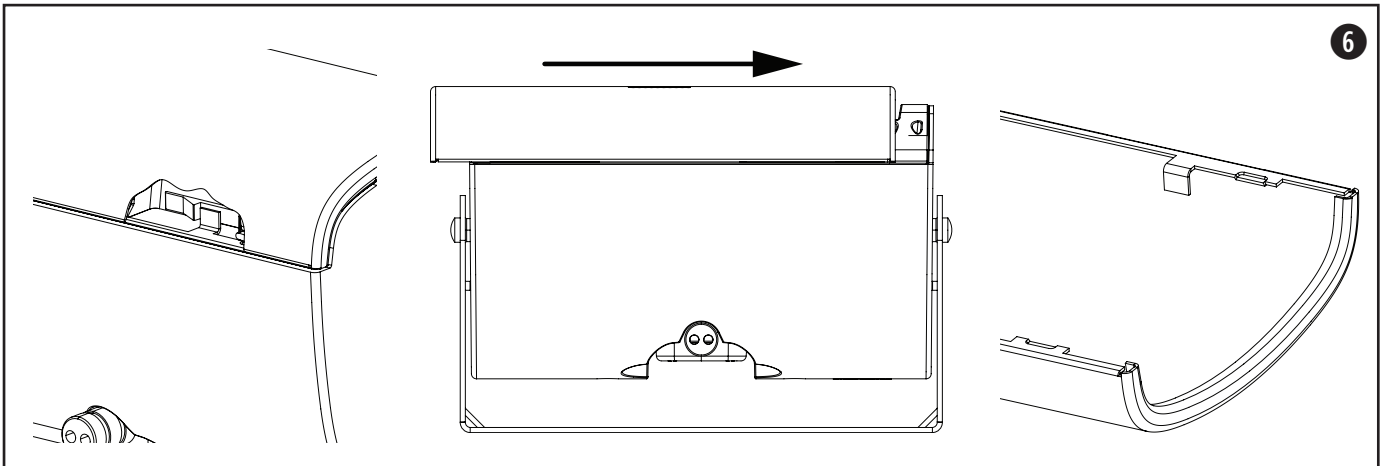
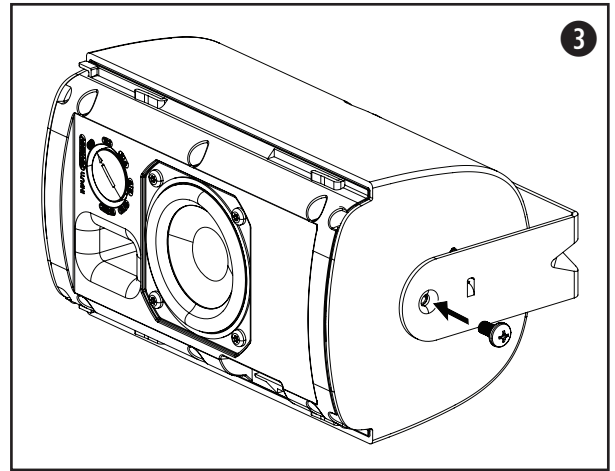
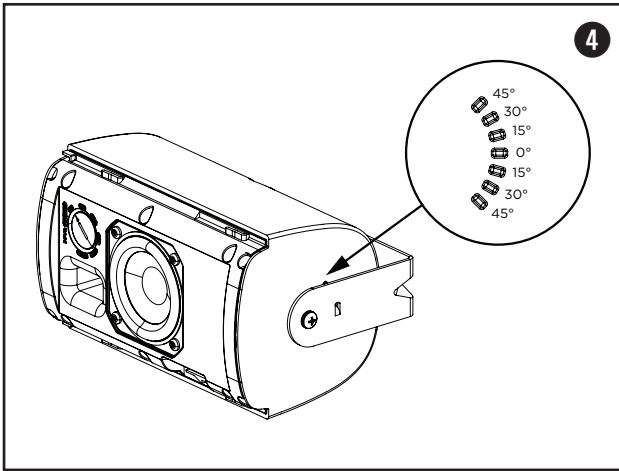
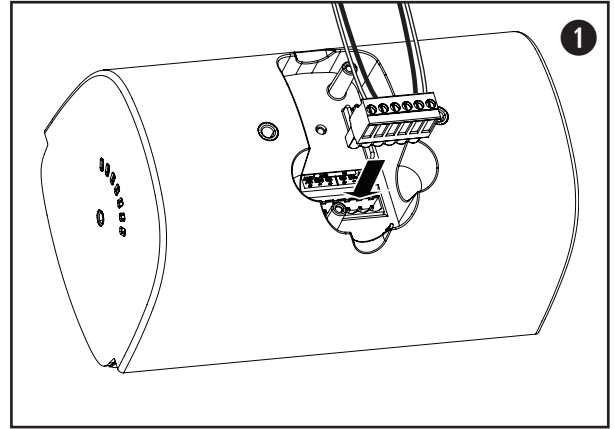
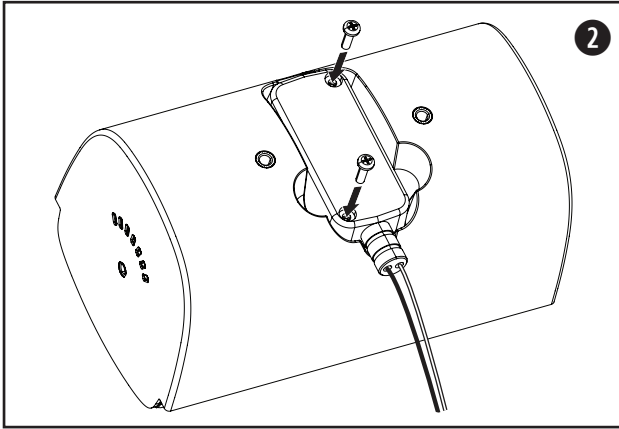


تركيب مكبر الصوت

تحذير: قد يؤدي عدم اتباع الخطوات أدناه إلى حالة تركيب غير آمنة، مما قد ينجم عنه خطر السقوط.



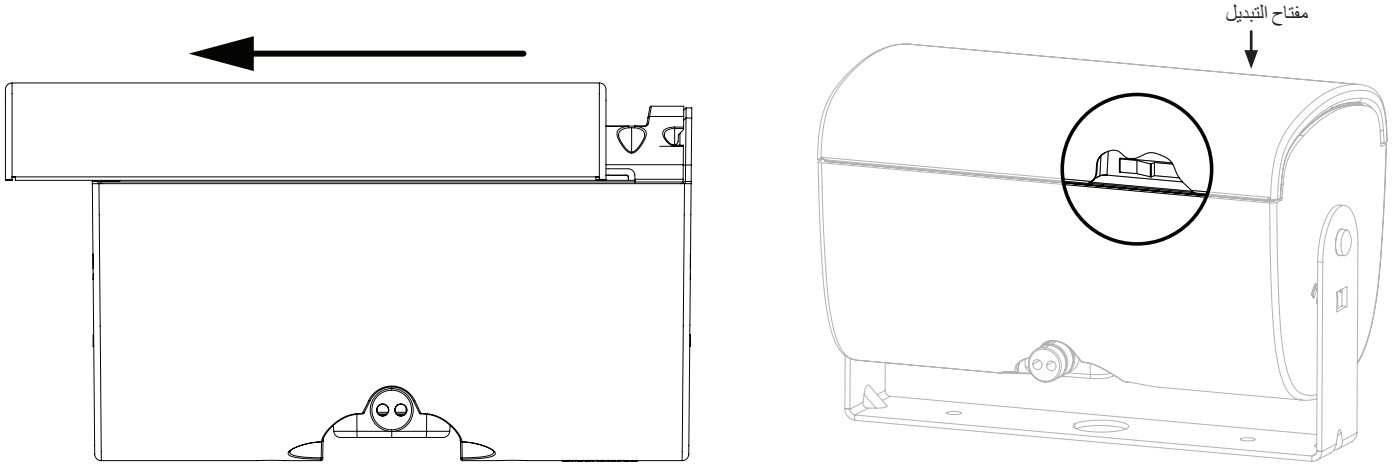
1. قم بتوصيل الموصل السلبي بمكبر الصوت.
2. ضع غطاء الإدخال على الموصل واضغطه بإحكام على مكبر الصوت لإحكام القفل. استخدم البرغيين المرفقين لغطاء الإدخال لتثبيت هذا الأخير بإحكام. راجع تحضير غطاء الإدخال في الصفحة 81.
3. ضع مكبر الصوت بين ذراعي الكتيفة وأدخل أحد برغيي الكتيفة المرفقين في كل جانب من مكبر الصوت باستخدام الفتحات اللولبية.
4. قم بمحاذاة المسامير على كتيفة التثبيت مع فتحات الزوايا المناسبة للقطعة التي تريد تثبيتها وأدخل الكتيفة في مكبر الصوت. ملاحظة: يمكن ضبط زاوية مكبر الصوت على 0 درجة أو 15 درجة أو 30 درجة أو 45 درجة. ملاحظة: عند استخدام مكبر الصوت في الأماكن الخارجية، لا تركيبه مع ميل نحو الأعلى.
5. شد البراغي على كل من جهتي مكبر الصوت لتثبيته بإحكام على كتيفة التركيب. ولا تُفرط في تدوير البرغي. ملاحظة: قبل تركيب الحاجز الشبكي، اضبط إعدادات نقطة تفرع مكبر الصوت على الإعداد المناسب للتركيب. راجع إعدادات مكبر الصوت في الصفحة 82.
6. حدد موقع لسان الحاجز الشبكي الممدد من الجهة الداخلية للحاجز الشبكي. ركب الحاجز الشبكي من خلال تمريره وتثبيته في مكانه. احرص على أن يتم تثبيت لسان الحاجز الشبكي الممدد على قفل الحاجز الشبكي على علية مكبر الصوت.



إزالة الحاجز الشبكي

الحاجز الشبكي مثبت بإحكام على مكبر الصوت بفضل قفل الحاجز الشبكي. قم بإلغاء قفل الحاجز الشبكي بإدخال أداة صغيرة في الثقب الخاص به (لا يزيد القطر عن 1,5 ملليمترات). وفيما تضغط على قفل الحاجز الشبكي، اعد إلى سحب الحاجز عن مكبر الصوت لفصله عنه.

ملاحظة: يقع قفل الحاجز الشبكي على مكبر الصوت مقابل مفتاح التبديل. راجع الرسم التوضيحي أدناه لتحديد موقع قفل الحاجز الشبكي.



ضبط الشعار

يأتي مكبر الصوت FreeSpace FS2SE مزودًا بشعار Bose المركب مسبقًا للتركيب بشكل أفقي. ويأتي مكبر الصوت مزودًا أيضًا بشعار منفصل للتركيب بشكل عمودي. لإزالة الشعار، انزعه عن الحاجز الشبكي لمكبر الصوت. لتثبيت الشعار الأفقي، اعثر على وسط الحاجز الشبكي وقم بمحاذاة الفتحات على الجهة الخلفية من الشعار مع ثقب الحاجز الشبكي. اضغط لتعليقه على الحاجز الشبكي لمكبر الصوت.

السلامة والامتثال التنظيمي

اجتاز مكبر الصوت FreeSpace FS2SE من الاختبارات وهو يتوافق مع المواصفات والاستخدامات التالية:

مدرج ضمن معيار ANSI/UL 1480-2016 CAN/ULC-S541

استخدام إرسال إشارات الوقاية من الحرائق - UUMW/ UUMW7 من الفئة UL، رقم الملف S 3241، رقم التحكم 42S9.

غير مخصص للاستخدام مع أنظمة مراقبة التيار المستمر.

مناسب للاستخدام في الأماكن الخارجية الرطبة.

EN 54-24، للعام 2008، مكبر صوت لأنظمة التنبيه الصوتي لاكتشاف الحرائق وأنظمة إنذار الحريق للمباني

النوع البيني: B (الاستخدام في الأماكن الخارجية)

مناسب للتركيب باستخدام طرق توصيل الأسلاك من الفئة 1 أو الفئة 2 أو الفئة 3 بما يتوافق مع NFPA 70 القانون الكهربائي الوطني، العام 2002، المادة 640

مناسب للاستخدام مع طرق توصيل أسلاك دوائر إنذار الحريق بما يتوافق مع المعيار NFPA 70، من القانون الكهربائي الوطني، العام 2002، المادة 760.

المعيار NFPA 70، من القانون الكهربائي الوطني، العام 2002، المادة 22-300 (c).

المعيار NFPA 90-A، العام 2002، تركيب أجهزة تكييف الهواء وأنظمة التهوية، الفقرة 4.3.10.2.6.5.

توجيه التوافق الكهرومغناطيسي (EMC) EEC/336/89 والمادة 10 (1) من التوجيه 1-EN50082 و 1-EN50082 وفقًا لعلامة CE.

تم تصميم مكبر الصوت FreeSpace FS2SE من وفقًا للمتطلبات المحددة في المواصفات التنظيمية الأوروبية التالية للأنظمة المجمعة:

قانون الممارسات القياسية البريطانية BS 5839 BS، الجزء 8، عند الاستخدام مع صندوق الطرف المصنوع من السيراميك والمنصهر الحراري.

تم الاختبار وفقًا للمعيار IEC60268-5.

زاوية التغطية الاسمية (لكل UL 1480) عمودي: 50/120 درجة على -3 ديسيبل؛ 25/155 درجة على -6 ديسيبل

أفقي: 60/120 درجة على -3 ديسيبل؛ 25/155 درجة على -6 ديسيبل

مستوى حساسية ضغط مأخذ القدرة بالواط لحساسية UL بالديسيبل (A) عند 3,1 أمتار (10 أقدام):

معيار ANSI/UL 1480-2016 في الولايات المتحدة		القدرة الكهربائية بالواط
100 فولت	70 فولت	المأخذ
—	72,4 ديسيبل A	1 واط
74,9 ديسيبل A	74,7 ديسيبل A	2 واط
77,5 ديسيبل A	77,5 ديسيبل A	4 واط
80,0 ديسيبل A	80,2 ديسيبل A	8 واط
82,5 ديسيبل A	82,6 ديسيبل A	16 واط
—	82,6 ديسيبل A	16 أوم

معيار CAN/ULC-S541 في كندا		القدرة الكهربائية بالواط
100 فولت	70 فولت	المأخذ
—	77,9 ديسيبل A	1 واط
80,8 ديسيبل A	80,8 ديسيبل A	2 واط
83,3 ديسيبل A	83,3 ديسيبل A	4 واط
85,9 ديسيبل A	86,0 ديسيبل A	8 واط
87,7 ديسيبل A	87,7 ديسيبل A	16 واط
—	87,5 ديسيبل A	16 أوم

يتم تحديد مستويات ضغط الصوت وفقًا لطريقة الإبلاغ المحددة UL 1480.

استجابة التردد:

إنذار بالحريق (UL) من 95 هرتز إلى 17 كيلوهرتز



861342-0040

©2023 Transom Post OpCo LLC, All rights reserved.
Framingham, MA 01701 USA
BoseProfessional.com
AM861342 Rev. 04
June 2023